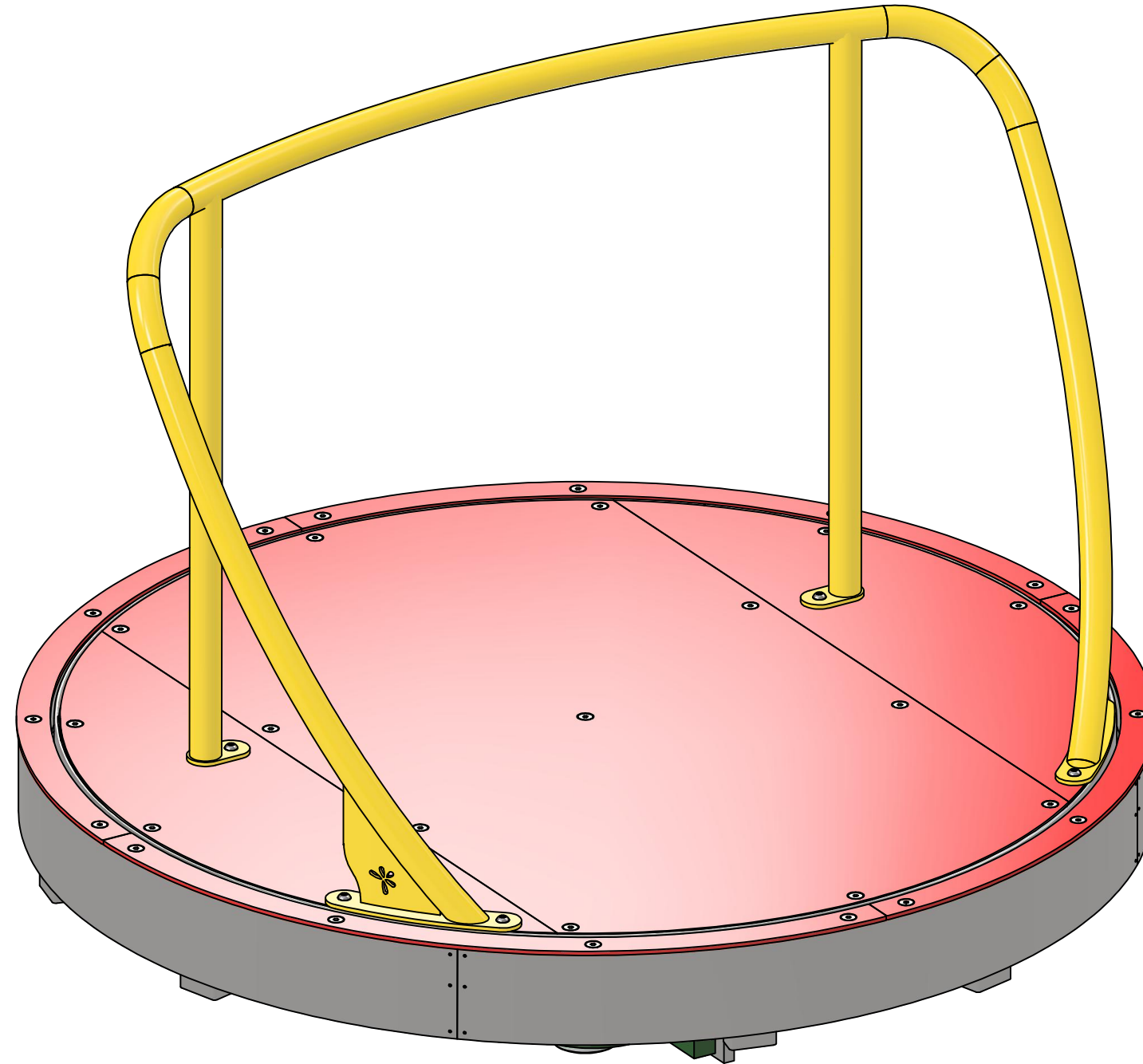
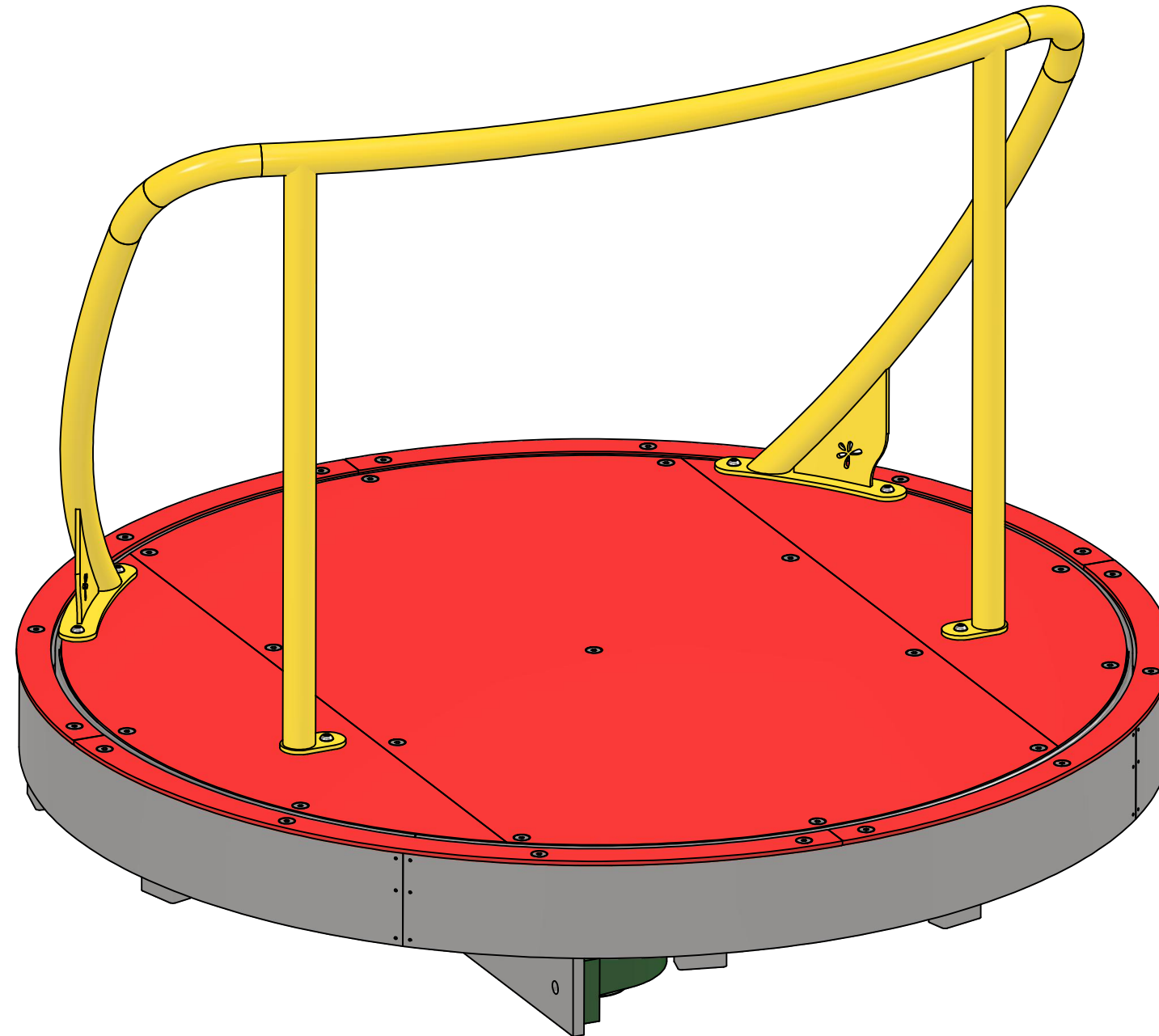


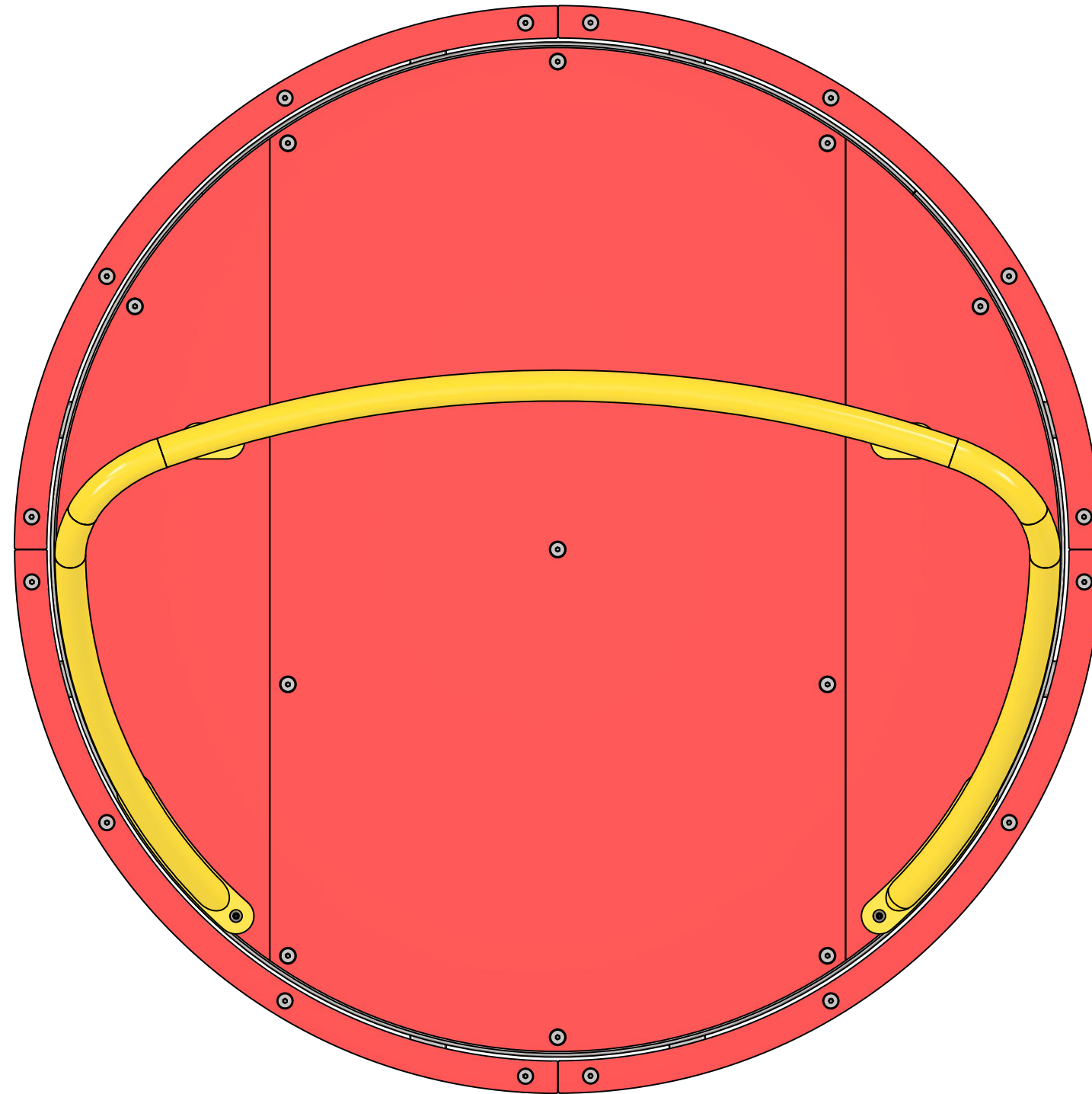
Inclusive Carousel Mini Cyclone 1500



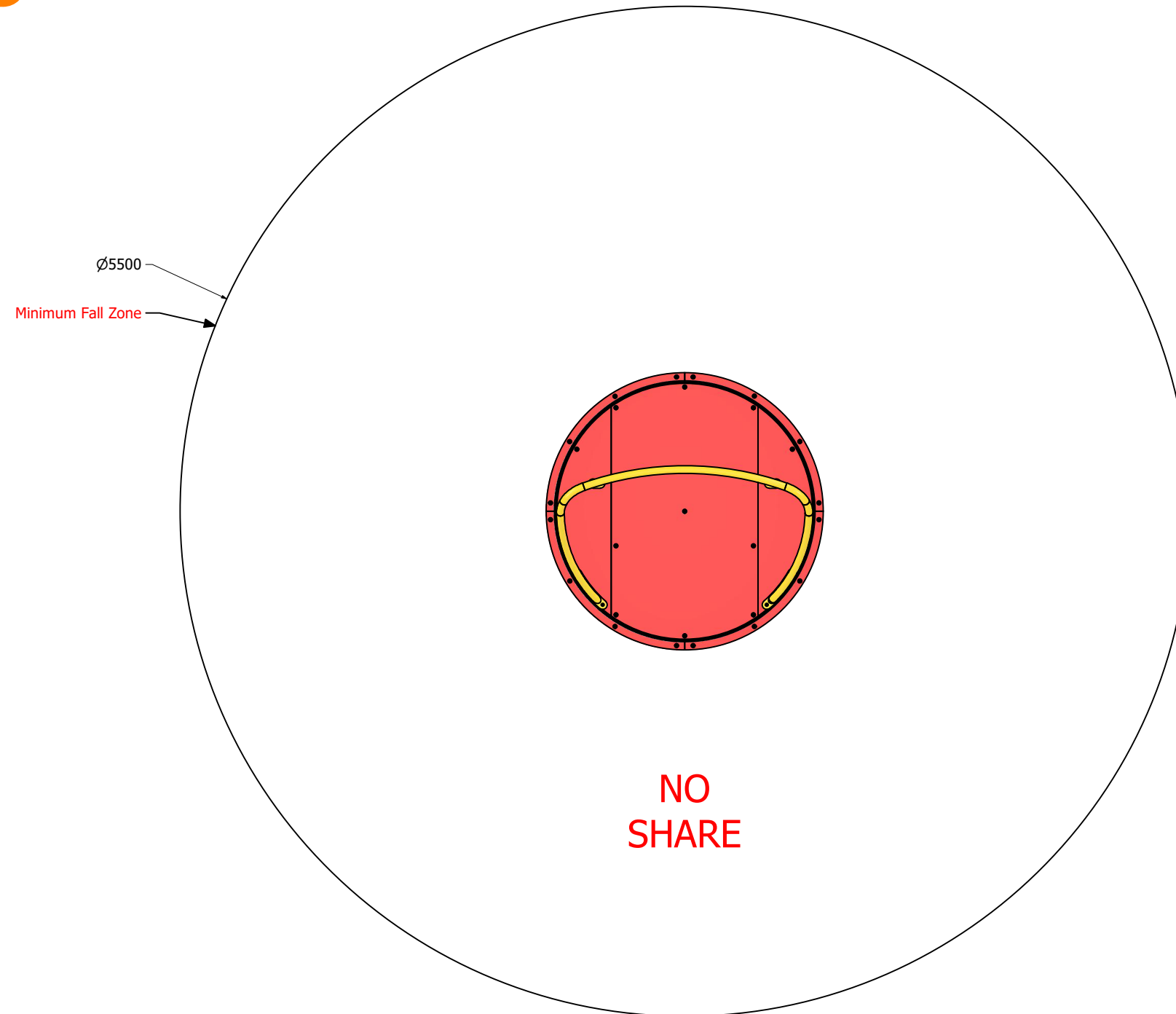
Inclusive Carousel Mini Cyclone 1500



Inclusive Carousel Mini Cyclone 1500



Inclusive Carousel Mini Cyclone 1500



Technical Information	
Main Dimension	Ø5500
Total Area	23.8 m ²
Max FHOFF	<1000mm
Heaviest Part	-
Compliant to	NZS 5828:2015 AS 4685:(series) EN 1176:2008

