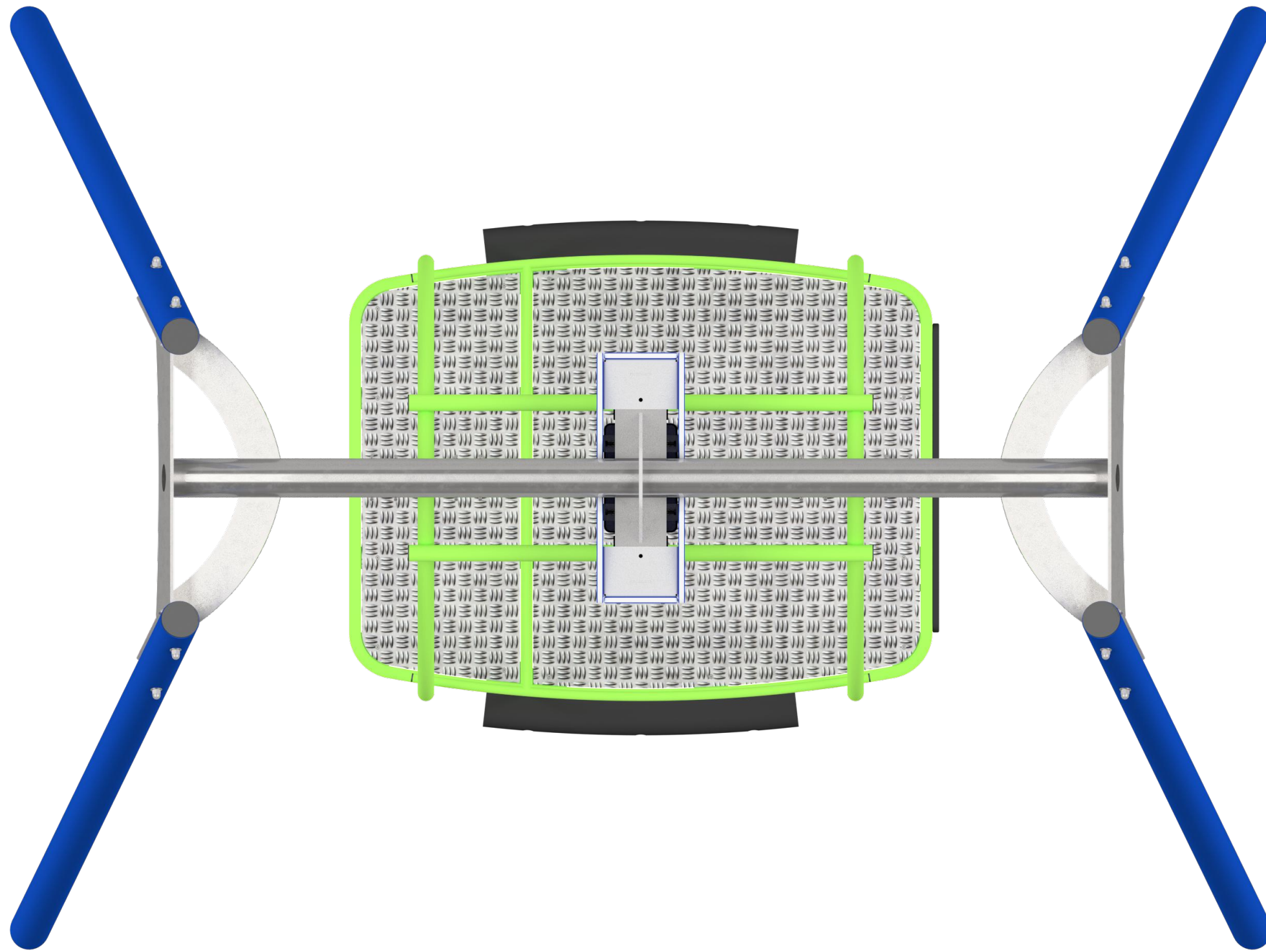


Inclusive Swing



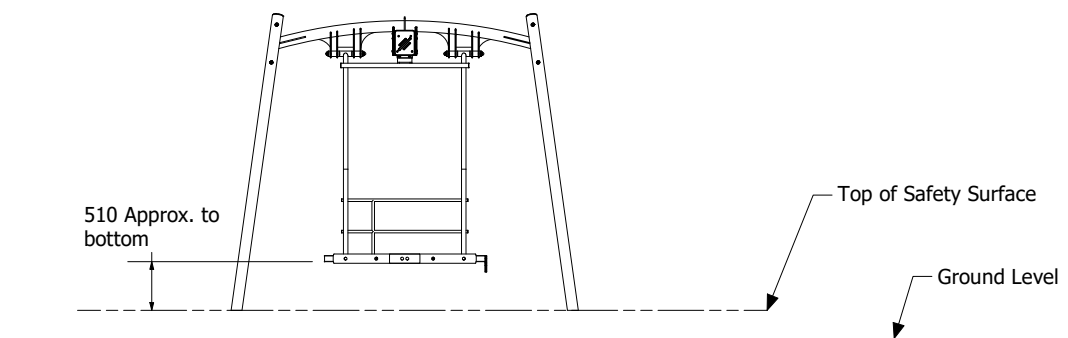
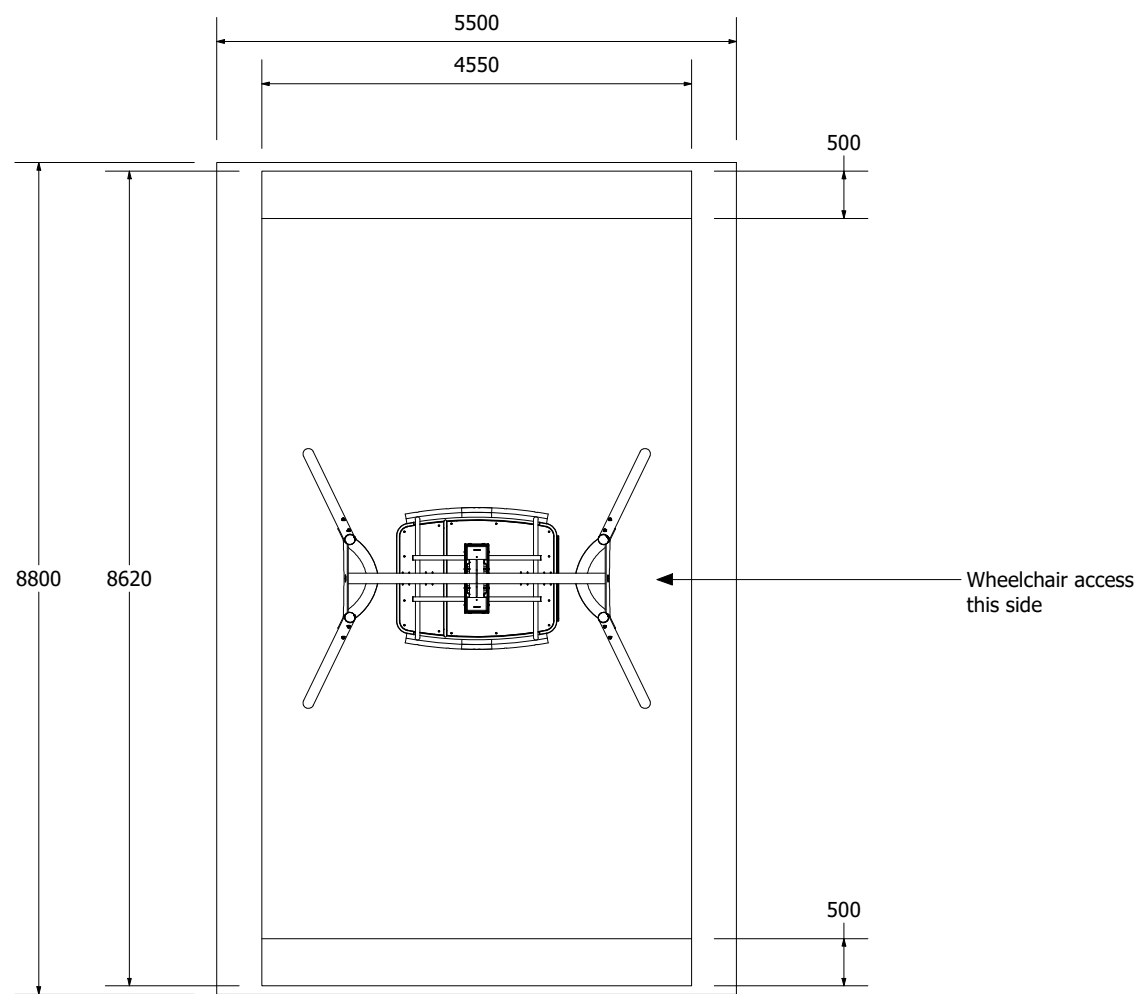
*Please note: dampening mechanism at top can change

Inclusive Swing



Inclusive Swing

1 : 80 @ A3



Technical Information	
Main Dimension	8800 x 5500mm
Total Area	48.4m ²
Max FHO	1500mm Approx.
Heaviest Part	-
Compliant to	NZS 5828:2015 AS 4685:2021 EN 1176:2007

Inclusive Swing

