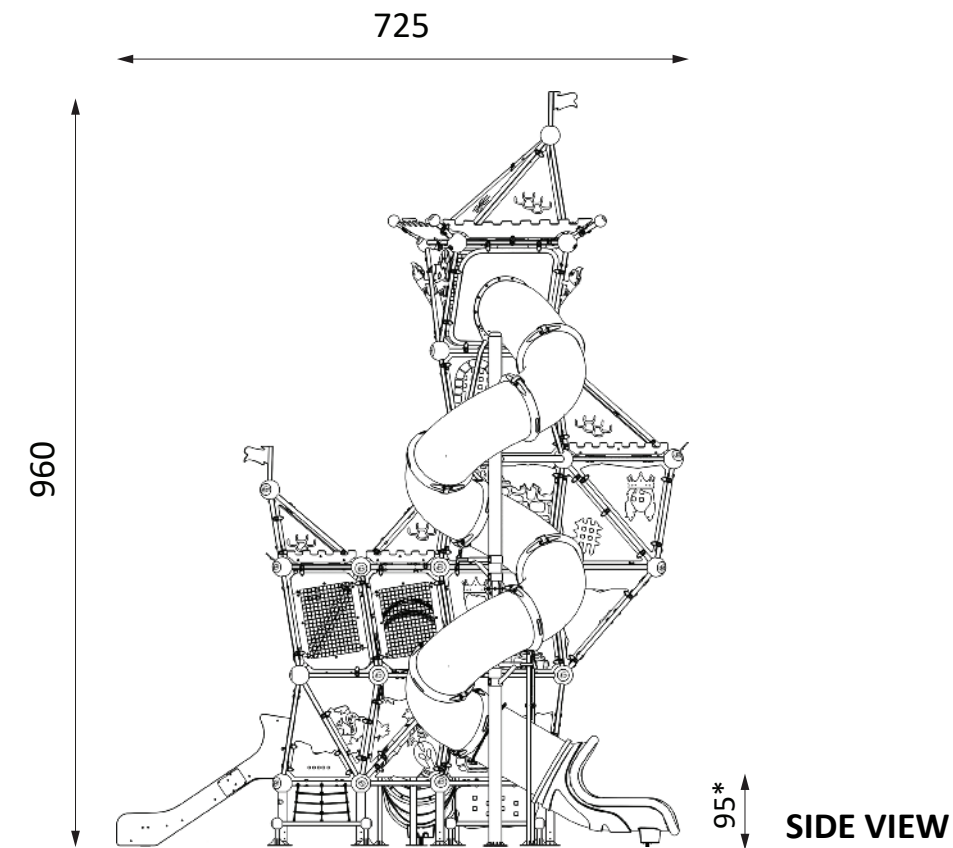
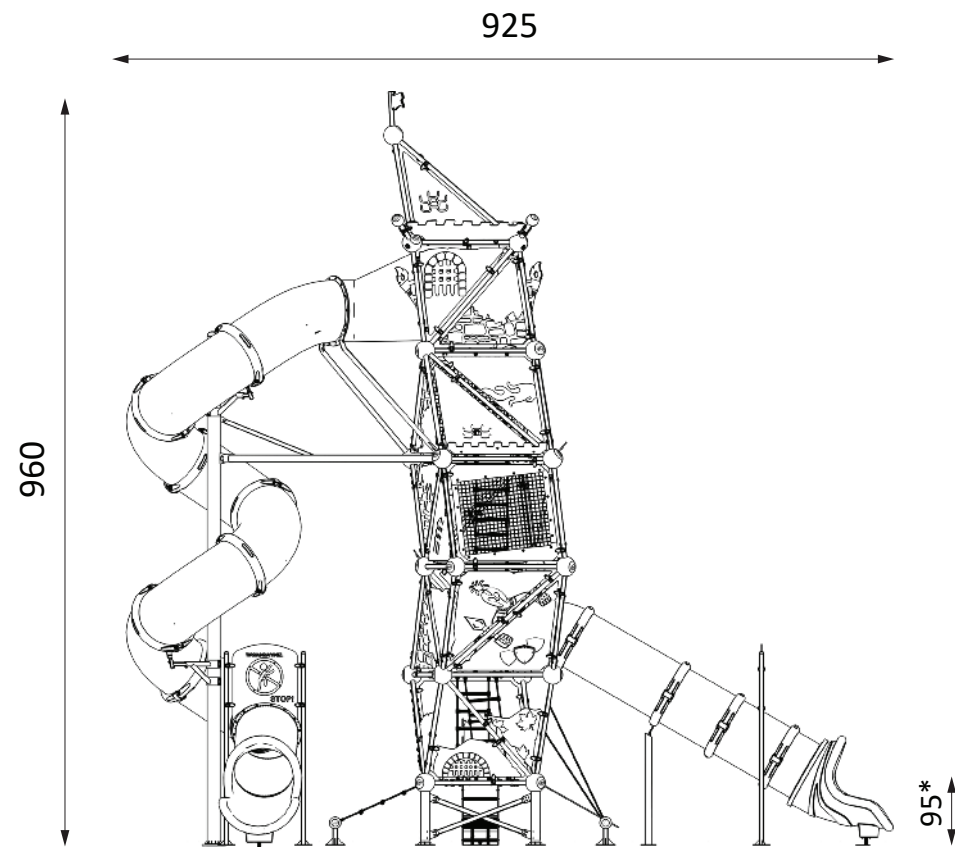
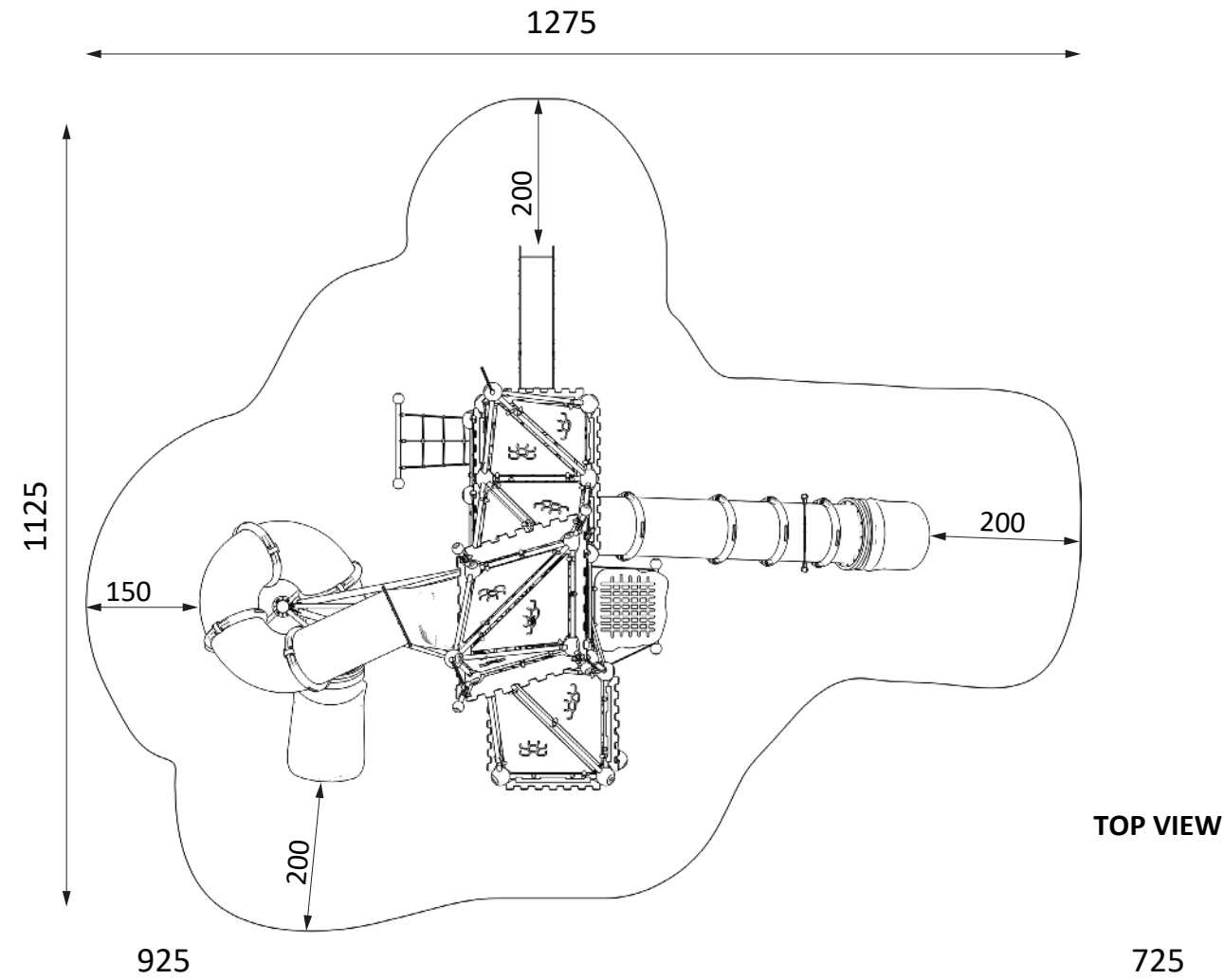


Castello Series- GGCS 1009- P



Castello Series- GGCS 1009- P

Technical Information	
Main Dimension (L x W x H)	9.25 x 7.25 x 9.6 m
Safety Area	87.1 m ²
Max FHOH	0.95 m
Capacity	27
Compliant to	NZS 5828:2015 EN 1176



FRONT VIEW

*Maximum Fall Height. Dimensions shown are in cm

SIDE VIEW