

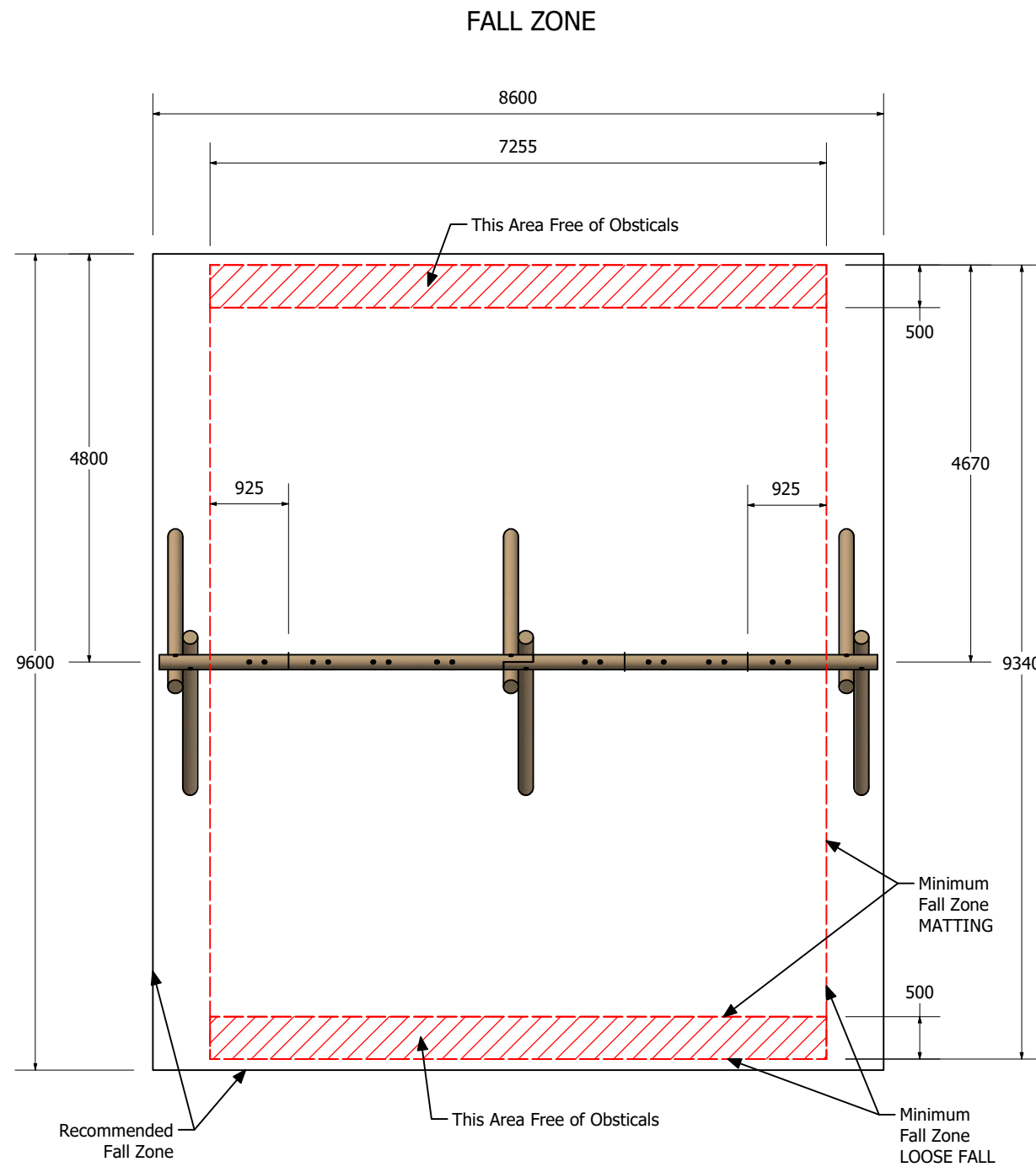
TIMBERPLAY SWING - 4 BAY - MEGA

SWTP4M01

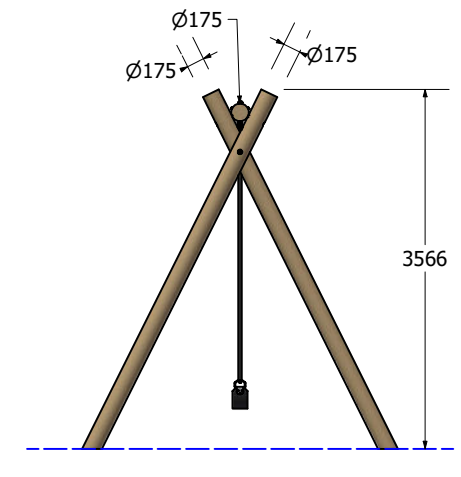
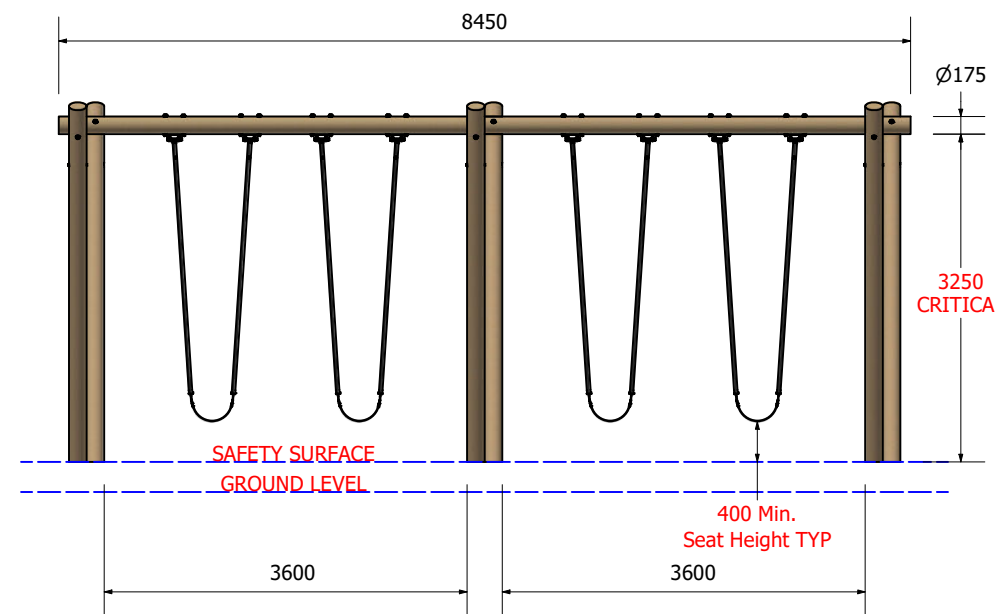
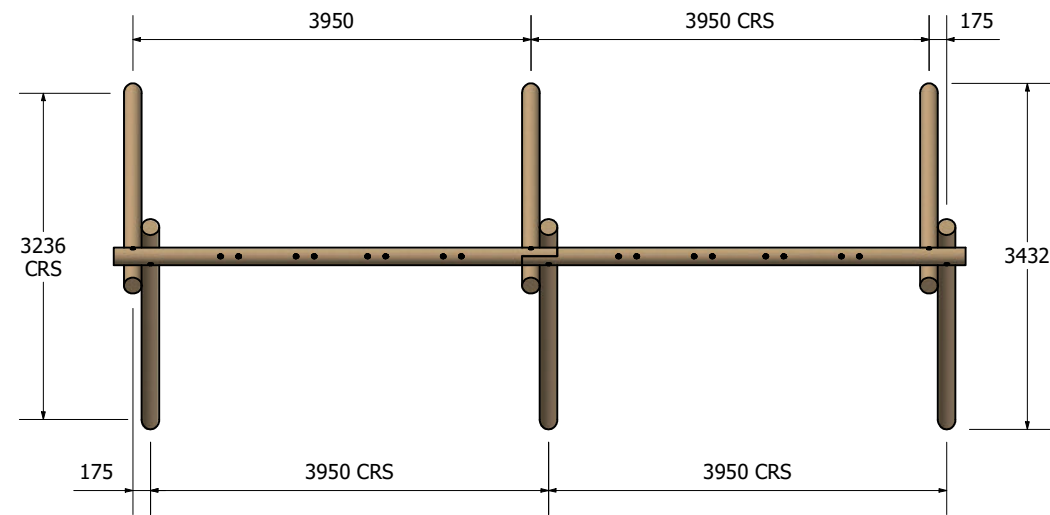


TIMBERPLAY SWING - 4 BAY - MEGA

SWTP4M01



DIMENSIONS AT GROUND LEVEL



Technical Information	
Main Dimension	9.6m x 8.6m
Total Area	83 sqm
Max FHO	1.8 m
Heaviest Part	100 kg
Compliant to	NZS 5828:2015 AS 4685:(series) EN 1176:2008