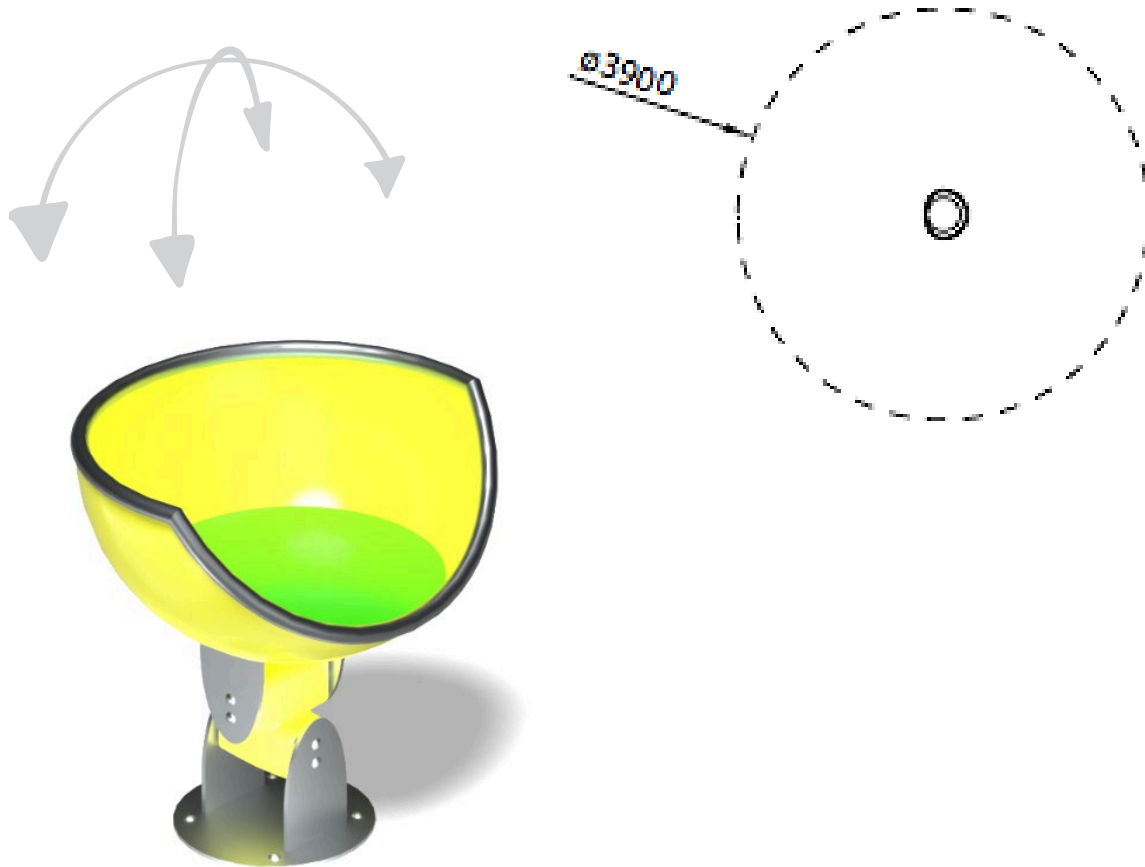
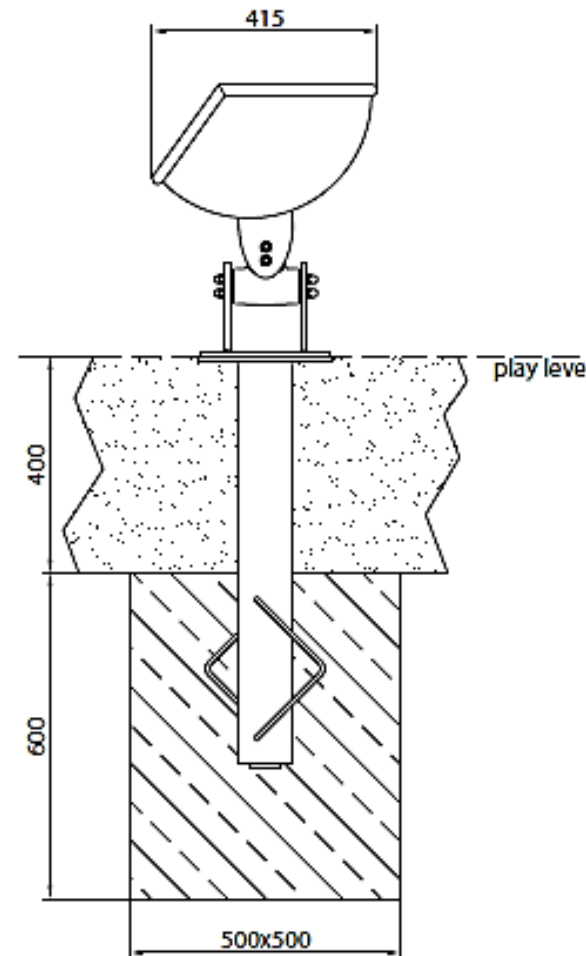


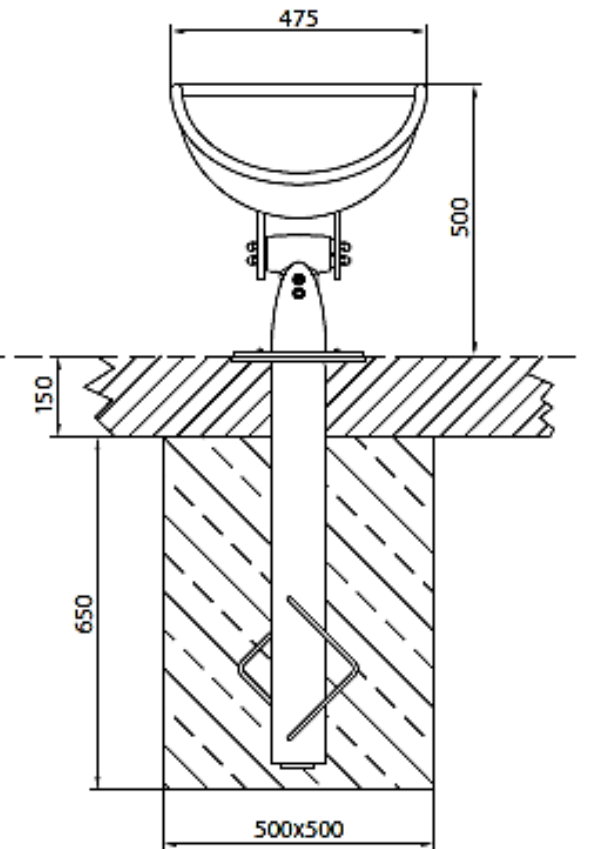
Dotti (Swing)



A. Installation in loose fill safety surfacing

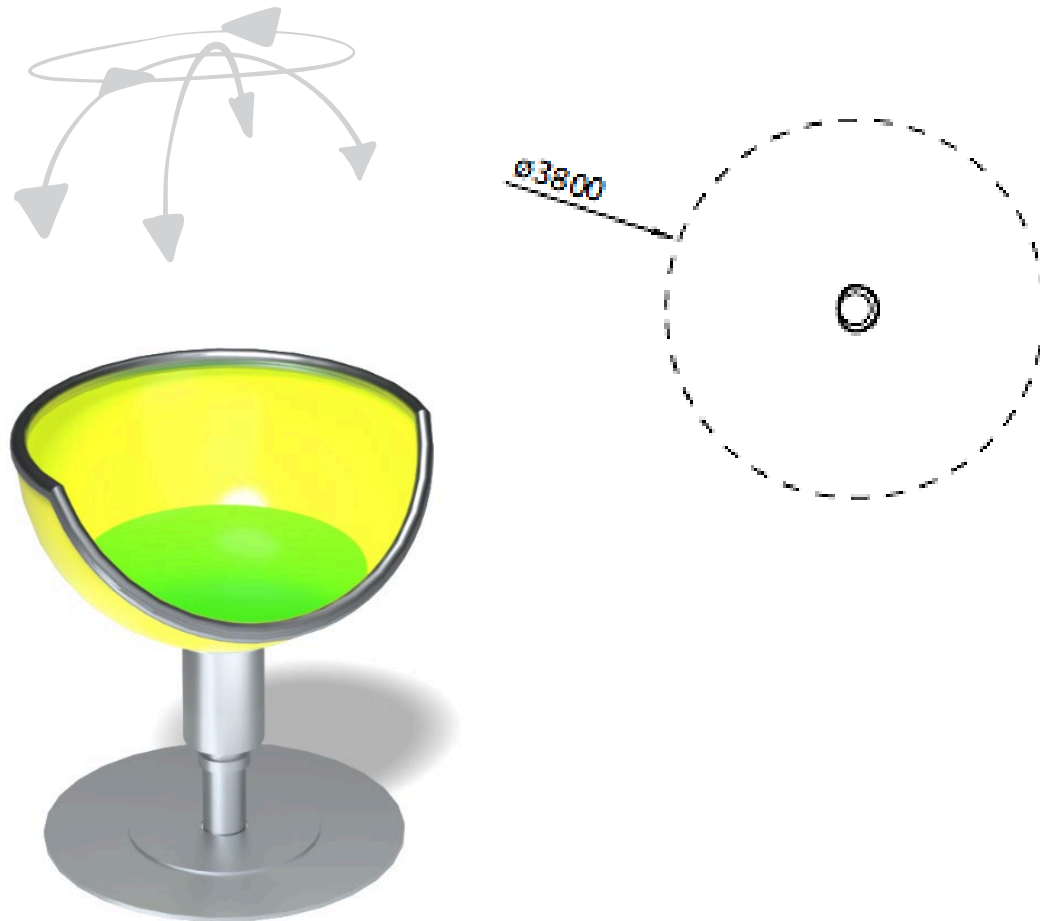


B. Installation in synthetic safety surfacing

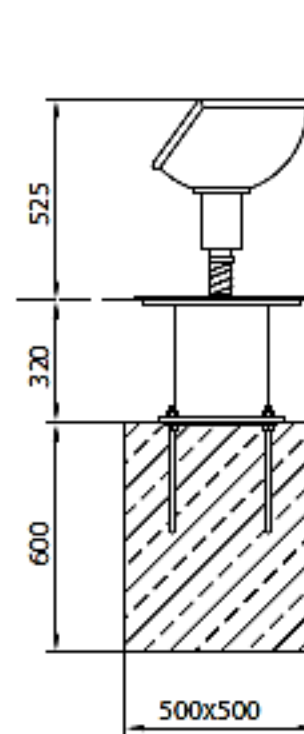


Technical Information	
Space Required	∅ x h: 3,900 x 2,500 mm
Total Area	11.9m ²
Dimension	475 x 500 mm
FHOF	420mm
Compliant	EN 1176 : 2017

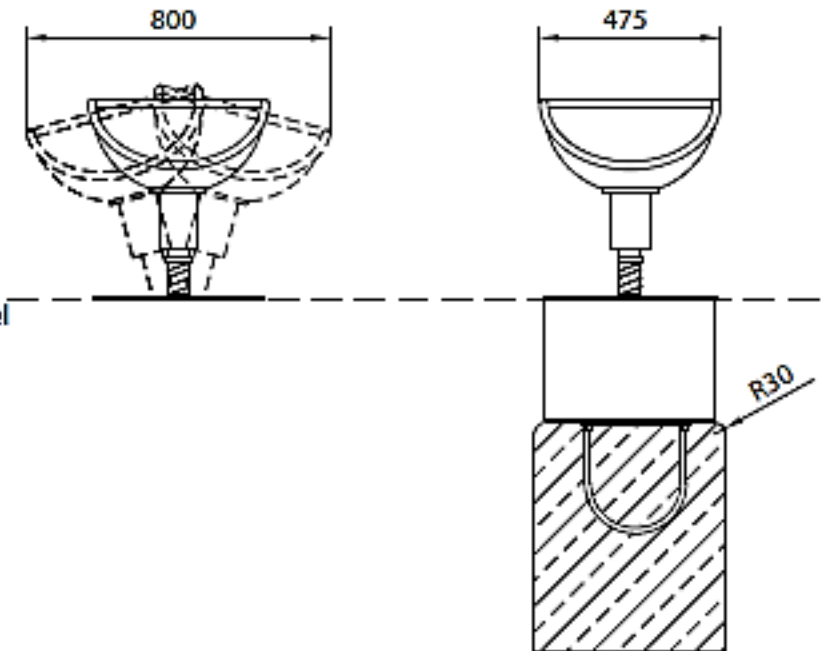
Dotti (Swing & Turn)



A. Installation in synthetic safety surfacing

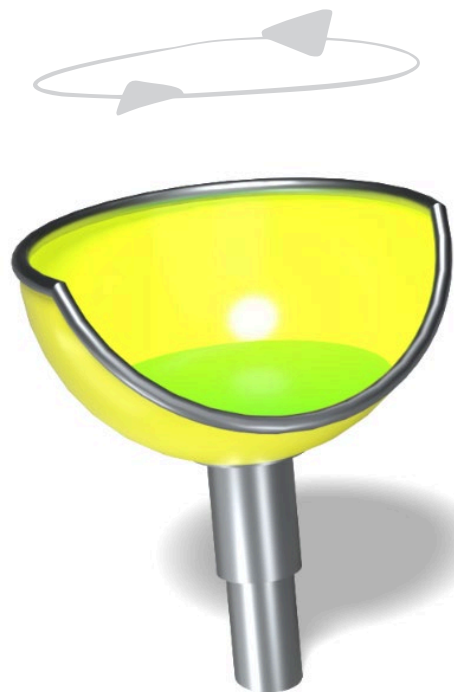


B. Installation in loose fill safety surfacing

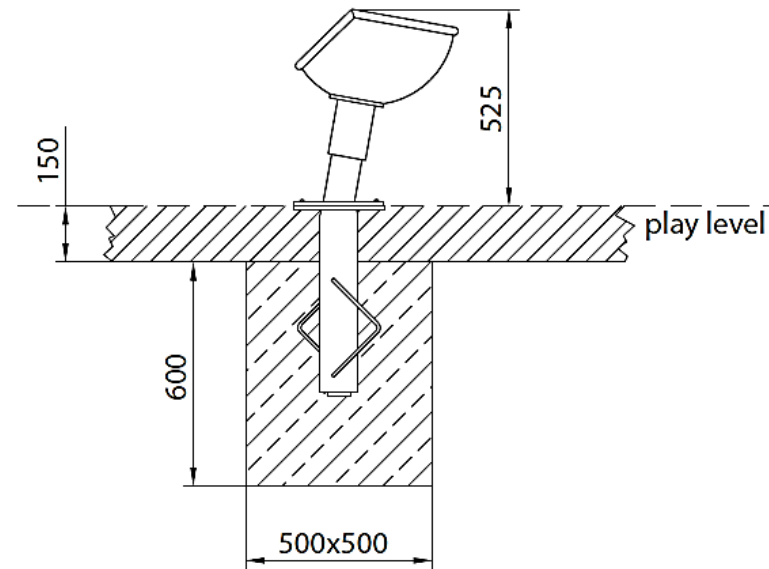


Technical Information	
Space Required	∅ x h: 3,800 x 2,500 mm
Total Area	11.3m ²
Dimension	475 x 525 mm
FHOF	400mm
Compliant	EN 1176:2019

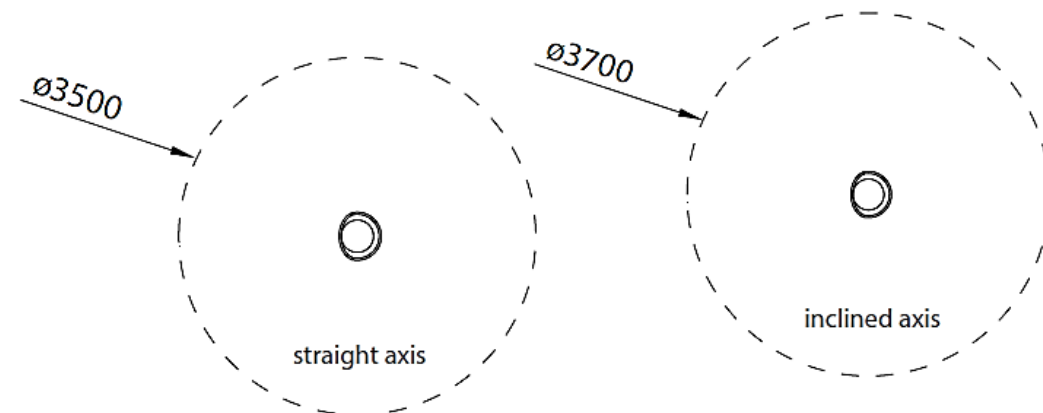
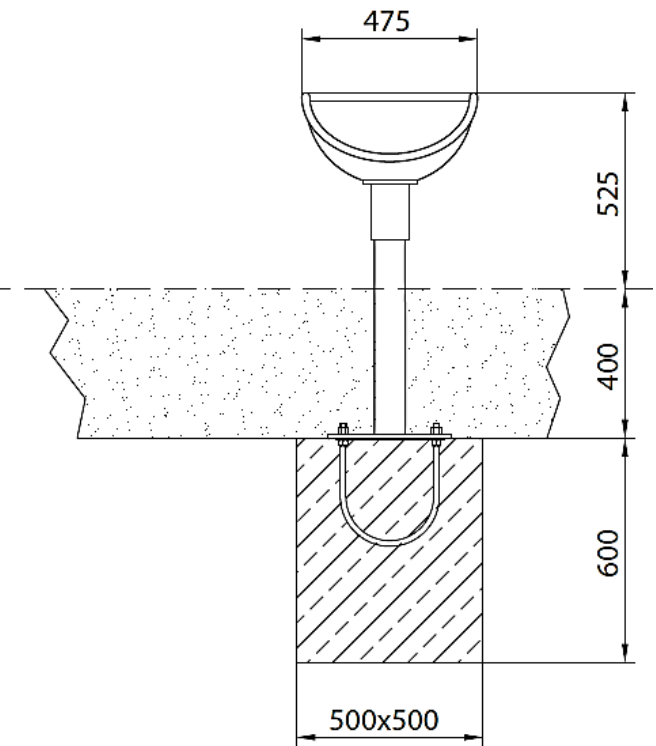
Dotti (Turn)



A. Installation in synthetic safety surfacing



B. Installation in loose fill safety surfacing



Technical Information	
Space Required	∅ x h: 3,500 / 3,700** x 2,500 mm, ** oblique axis
Total Area	9.6m ² (Straight Axis) 10.8m ² (Inclined Axis)
Dimension	475 x 525 mm
FHOF	400mm
Compliant	EN 1176:2017