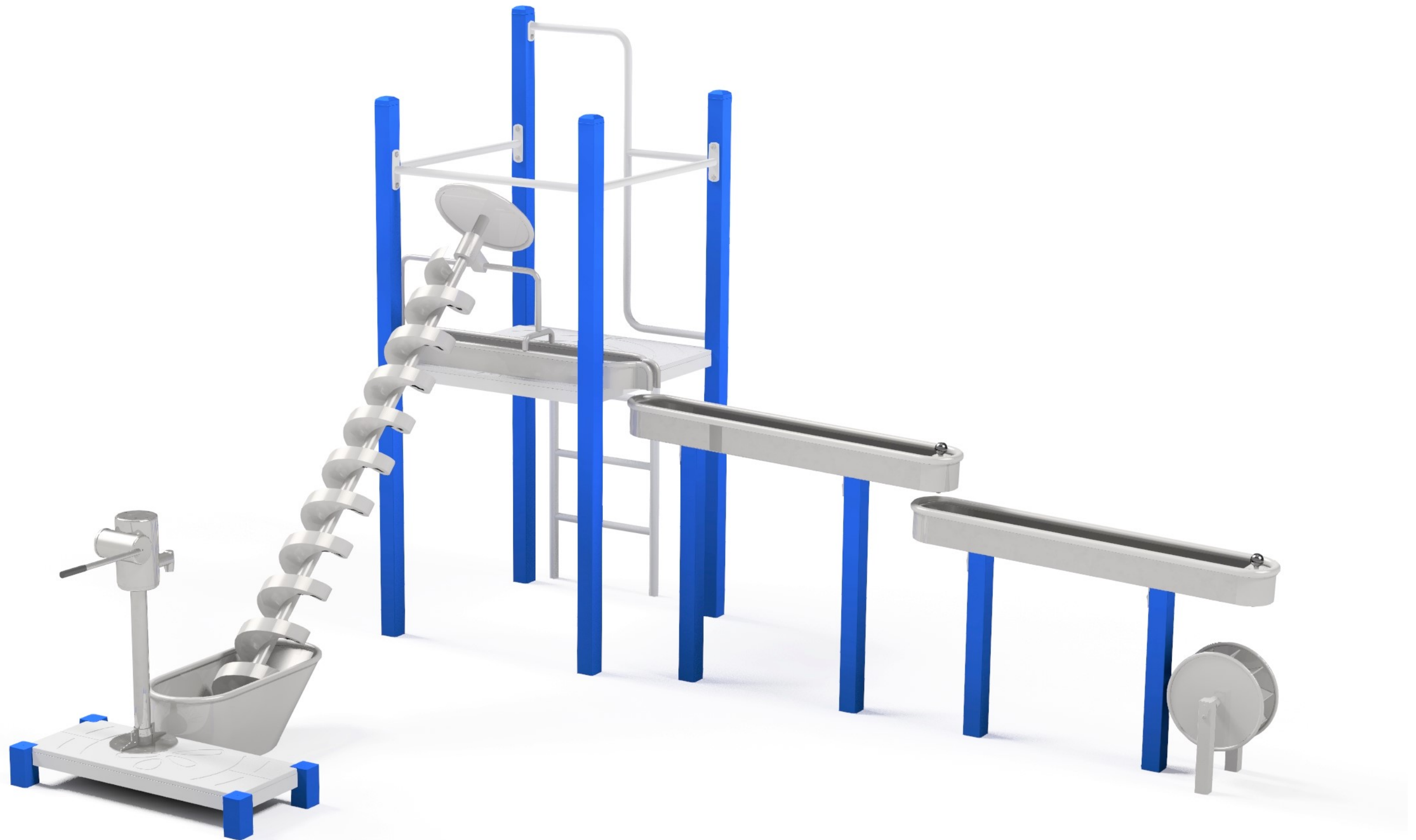
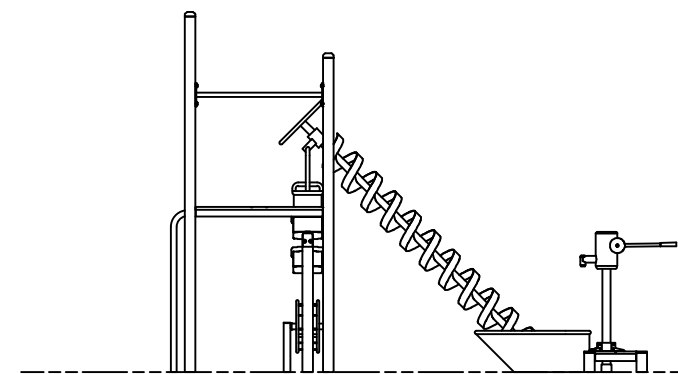
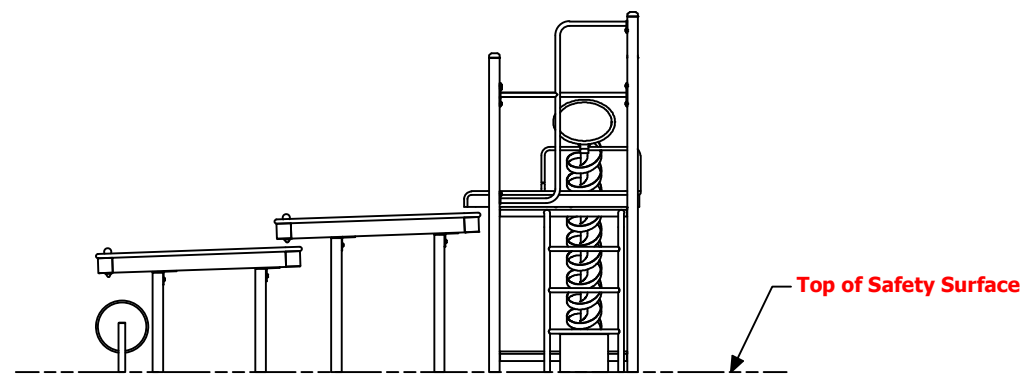
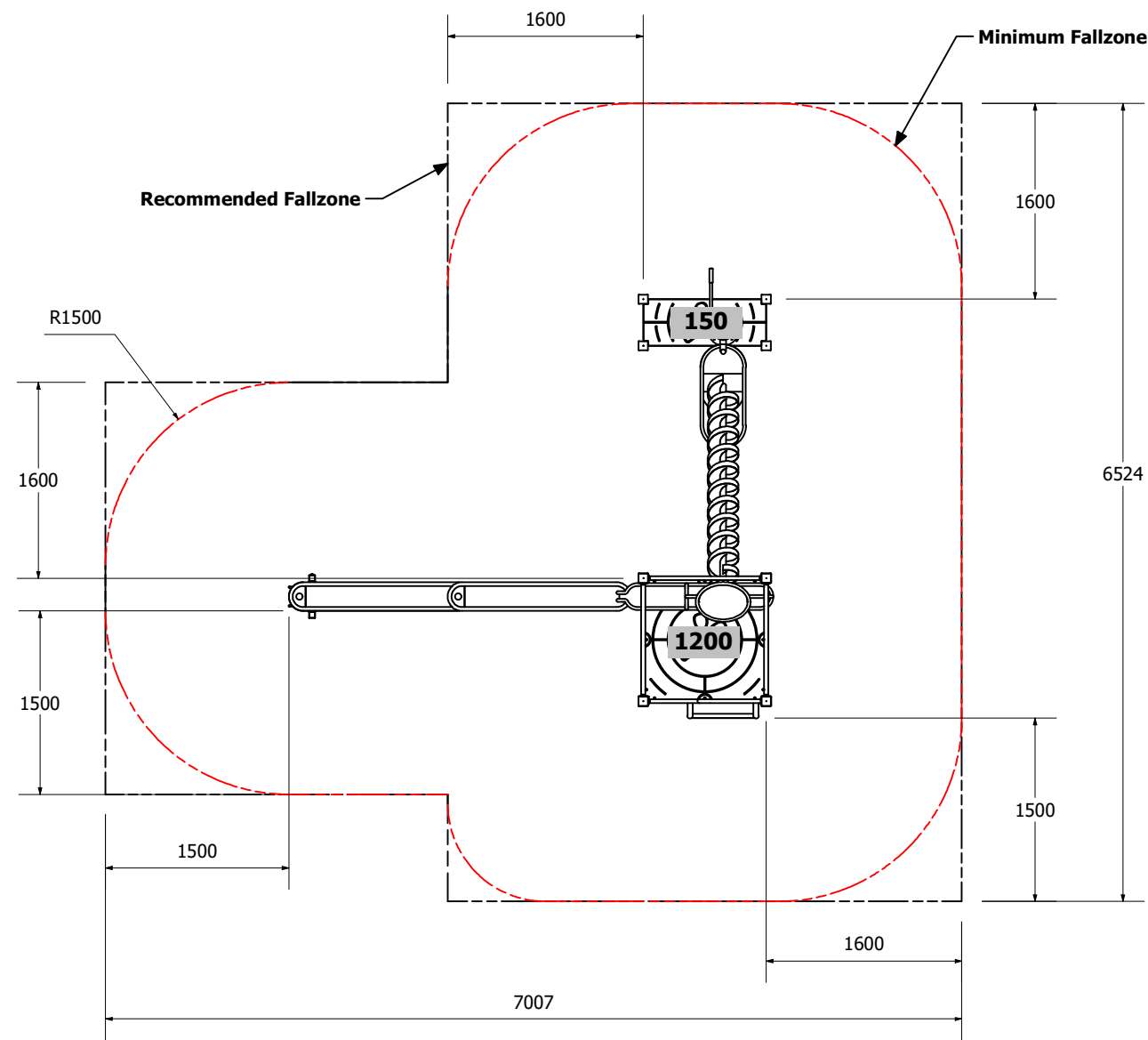


Waterplay Module 236

MOMP236





Technical Information	
Main Dimension	7007x6524mm
Total Area	32m ²
Max FHO	1200mm
Heaviest Part	
Compliant to	NZS 5828:2015 AS 4685:2017 EN 1176:2008