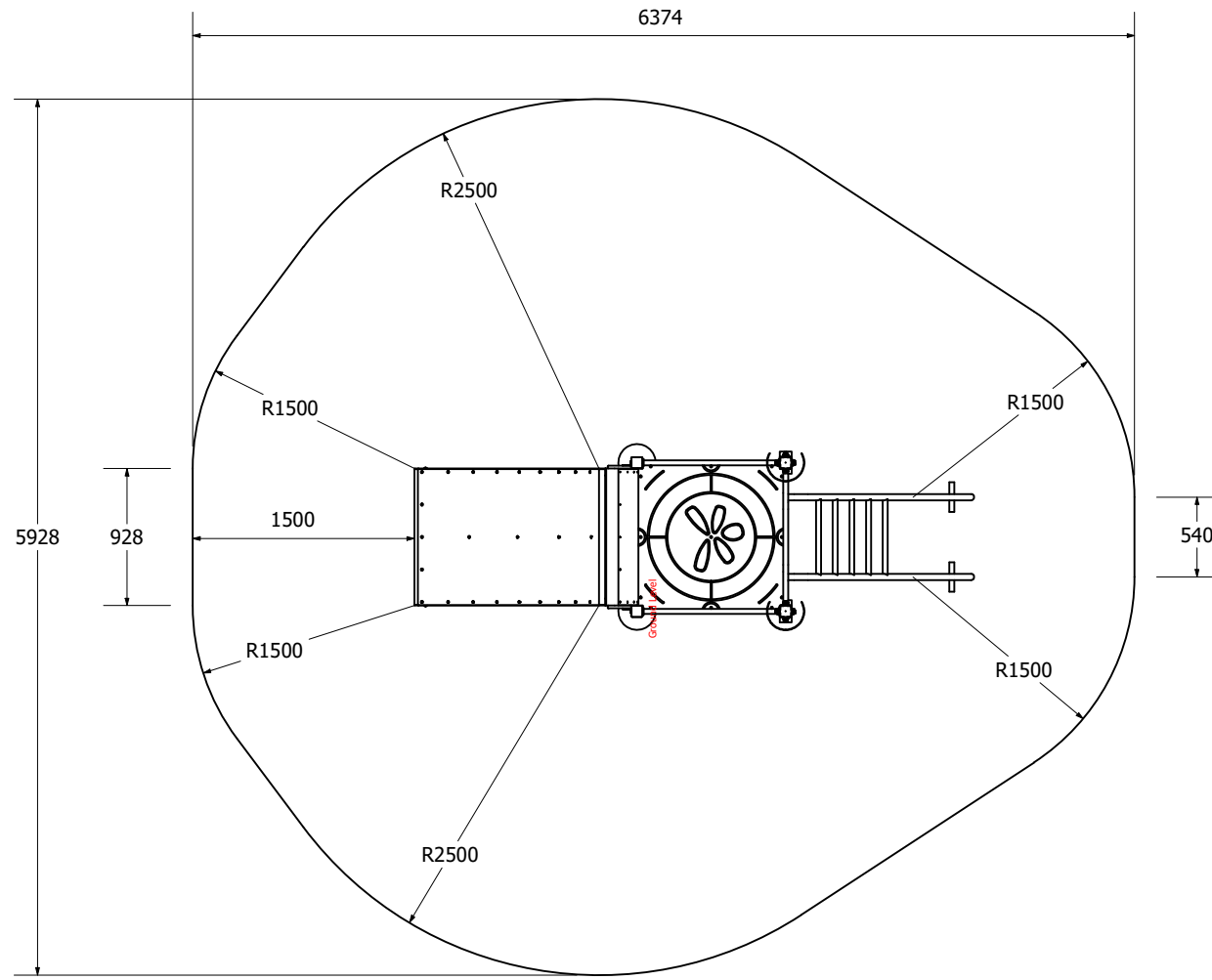


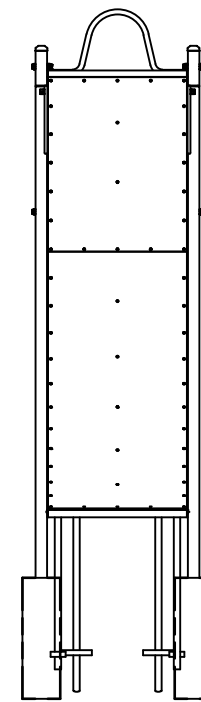
Ninja Wall 3.0m Metaplay



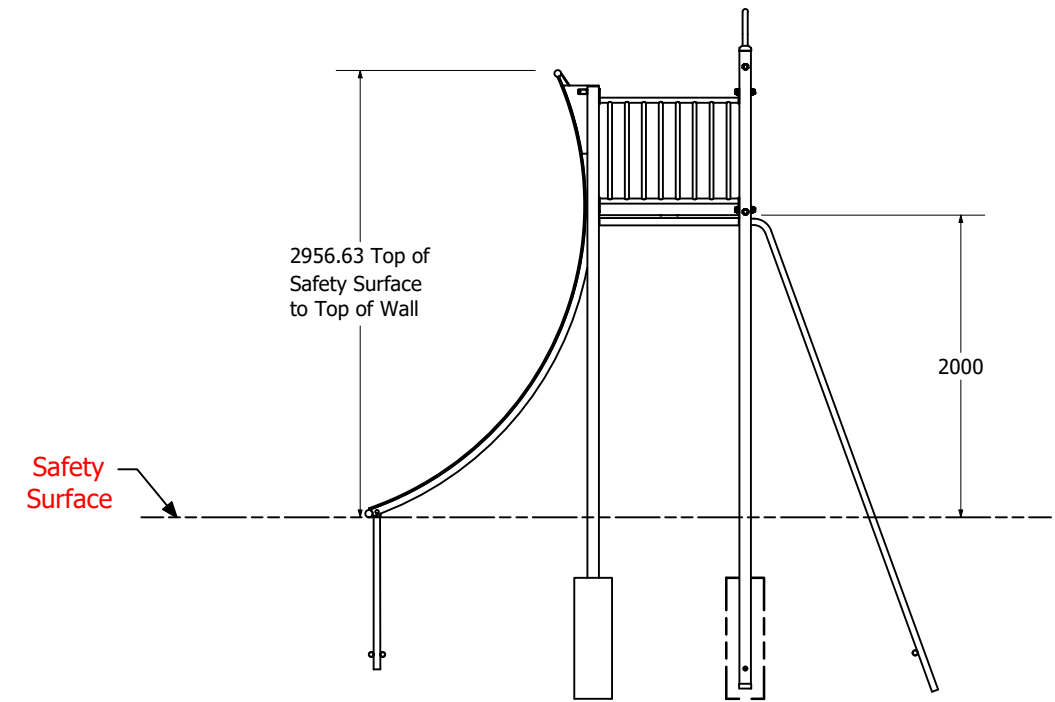
Fallzones



Front Elevation



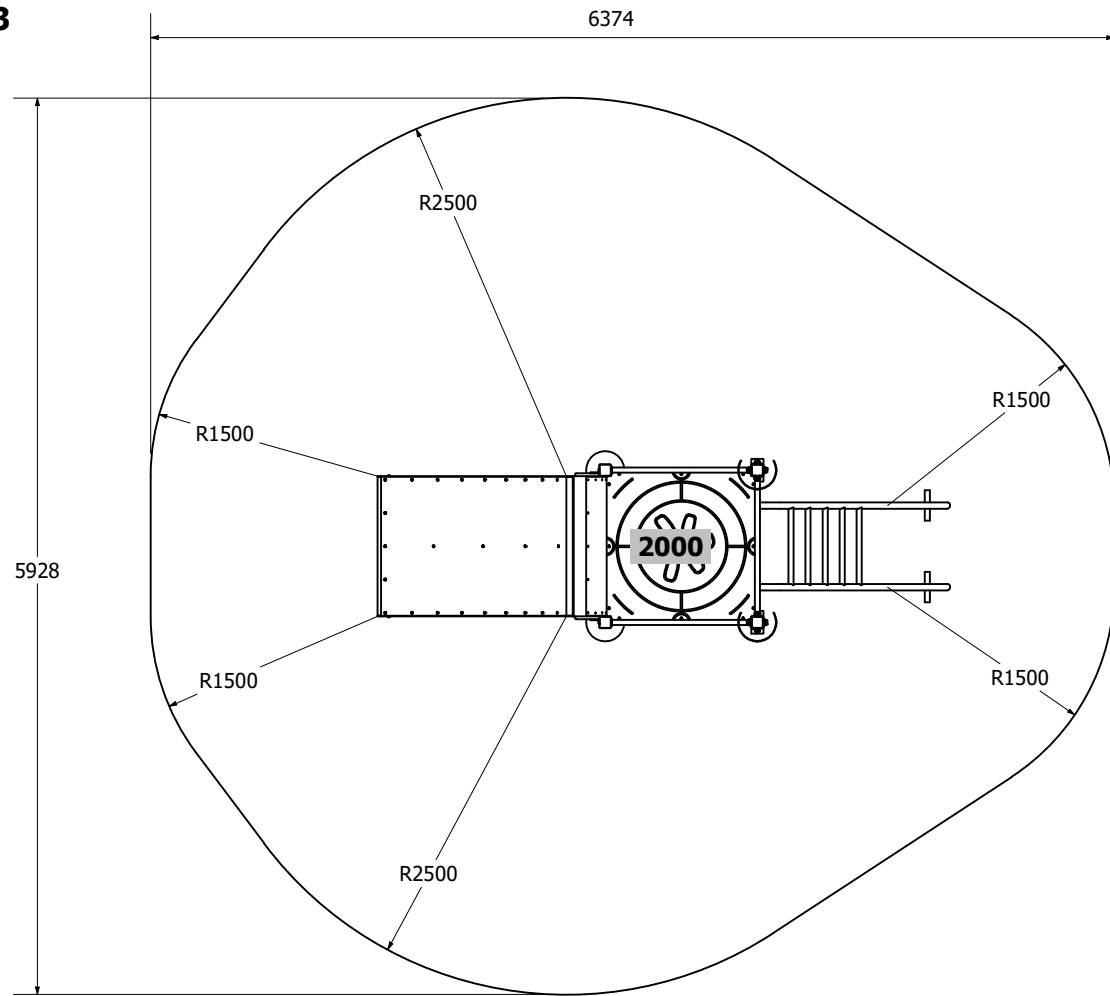
Right Elevation



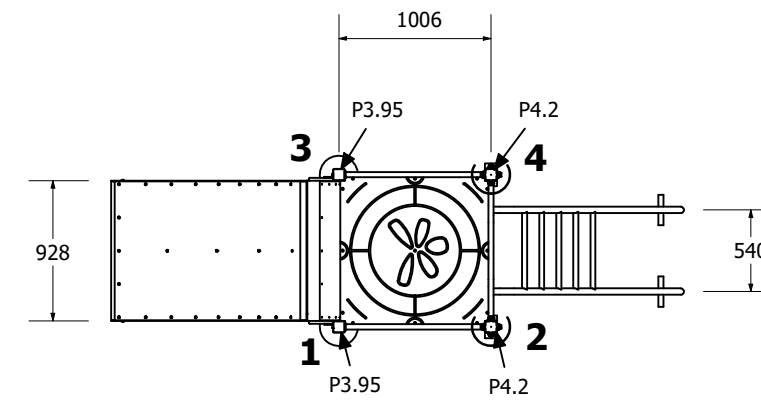
Technical Information	
Main Dimension	6.283 x 5.928m
Total Area	30 sqm
Max FHO	2950mm
Heaviest Part	
Compliant to	NZS 5828:2015 AS 4685:(series) EN 1176:2008

Fallzones

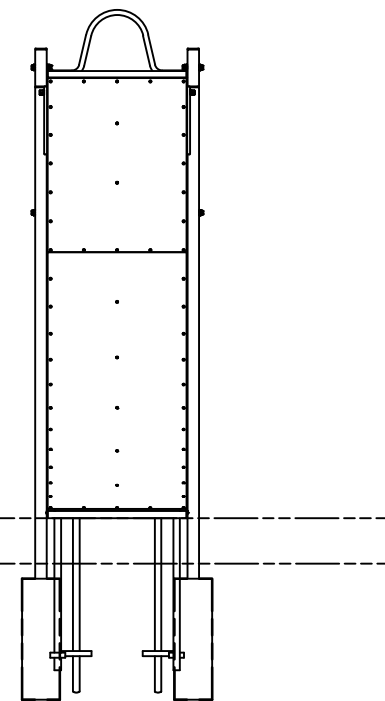
1:50
@ A3



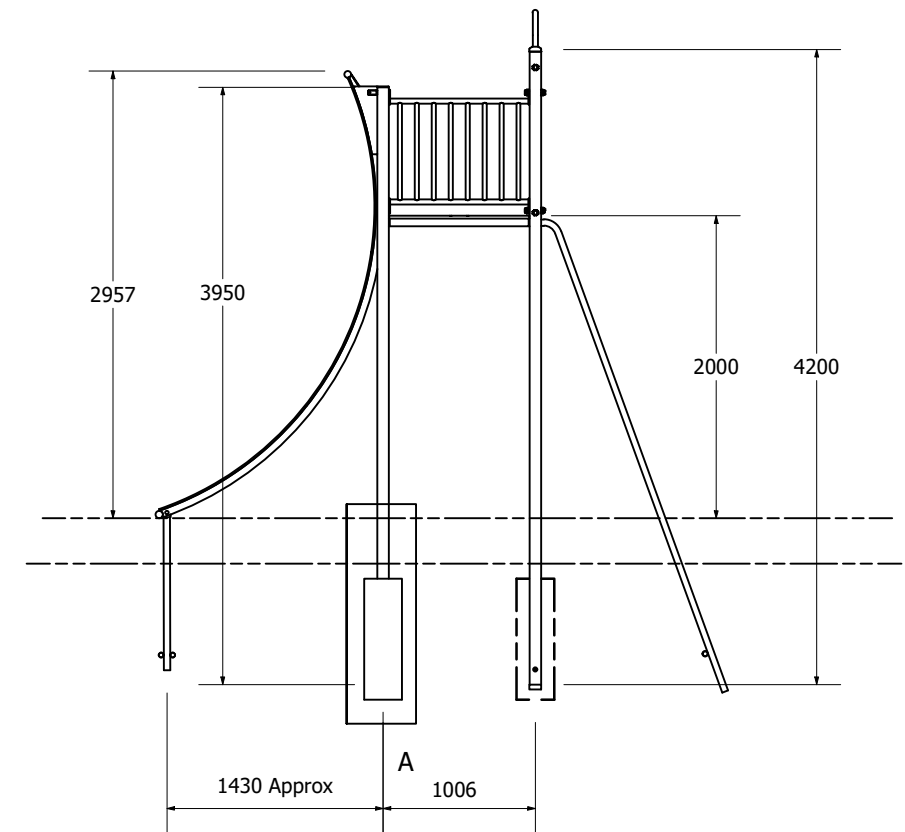
Pole Dimensions



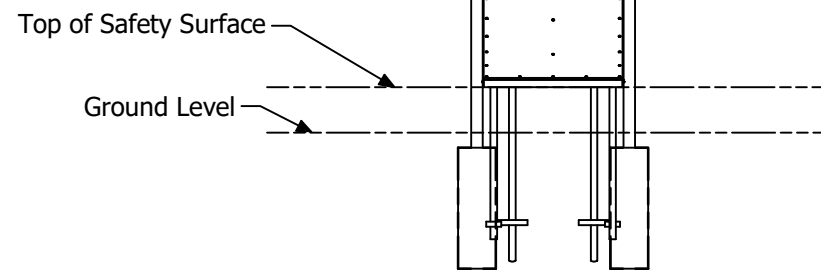
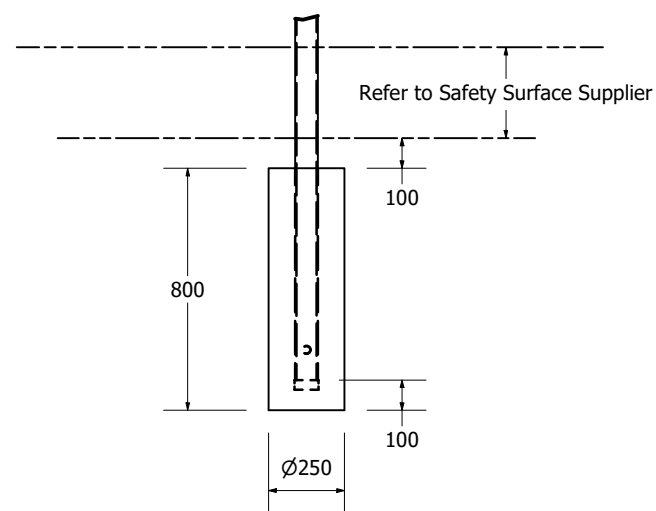
Front Elevation



Right Elevation

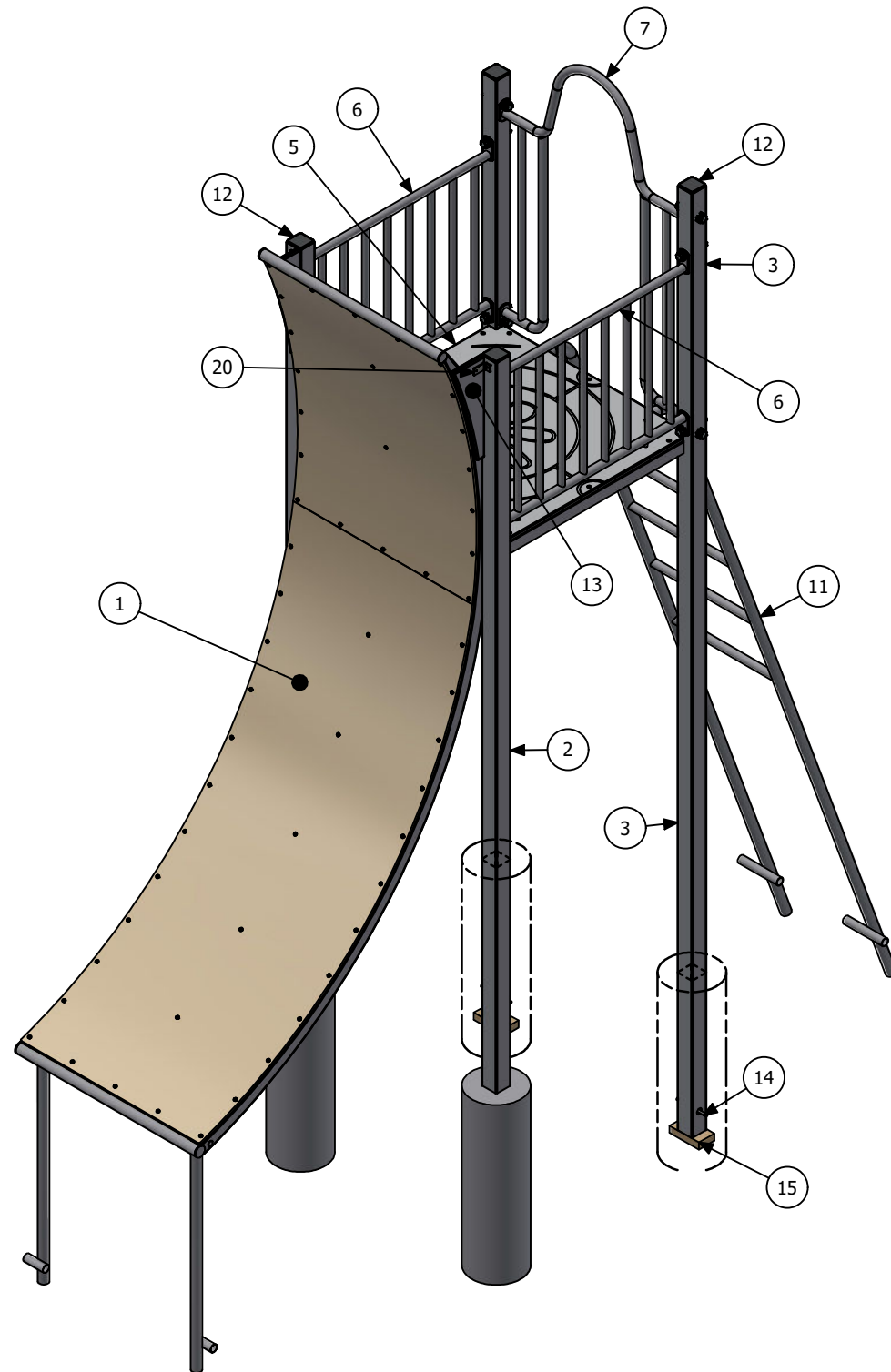


A (1 : 25)



REVISION HISTORY			
REV	DESCRIPTION	DATE	BY
0	Creation	19/10/2021	HS

Ninja Wall 3.0m Metaplay



PARTS LIST			
ITEM	QTY	PART NUMBER	DESCRIPTION
1	1	HFNINW20FR	Ninja Climbing Wall Senior
2	2	MEPOS75-1-3950	Aluminium Box 76 sq x 3.3m
3	2	MPPOS76-1-4200	Aluminium Box 76 sq x 4.2m
4	2	MPPOS76-2-02	
5	1	MPPLSU	Metaplay Platform Std Uniboard 1006 x 1006
6	2	MPBA70	700 Metal Barrier (plates)
7	1	MPBACOP	Commando Barrier With Plate
8	16	PLSCI10GY	Security Cover & Insert - 10mm
9	8	FAENB2416	M10 x 100mm Galv Engineering Bolt
10	8	FANYN4400	M10 S/S 304 Nyloc Nut
11	1	HFNINW20LA	2m Metaplay Ladder
12	4	00170 CoMac	Square Plug Plastic 75mm
13	2	HFNINW21IN	Uniboard Barrier Infill - 2.5 wall
14	2	HWPORO	Pole Rod
15	2	HWPOBL	Pole Block