

Edmonton 108 - TP Nature

Rear view



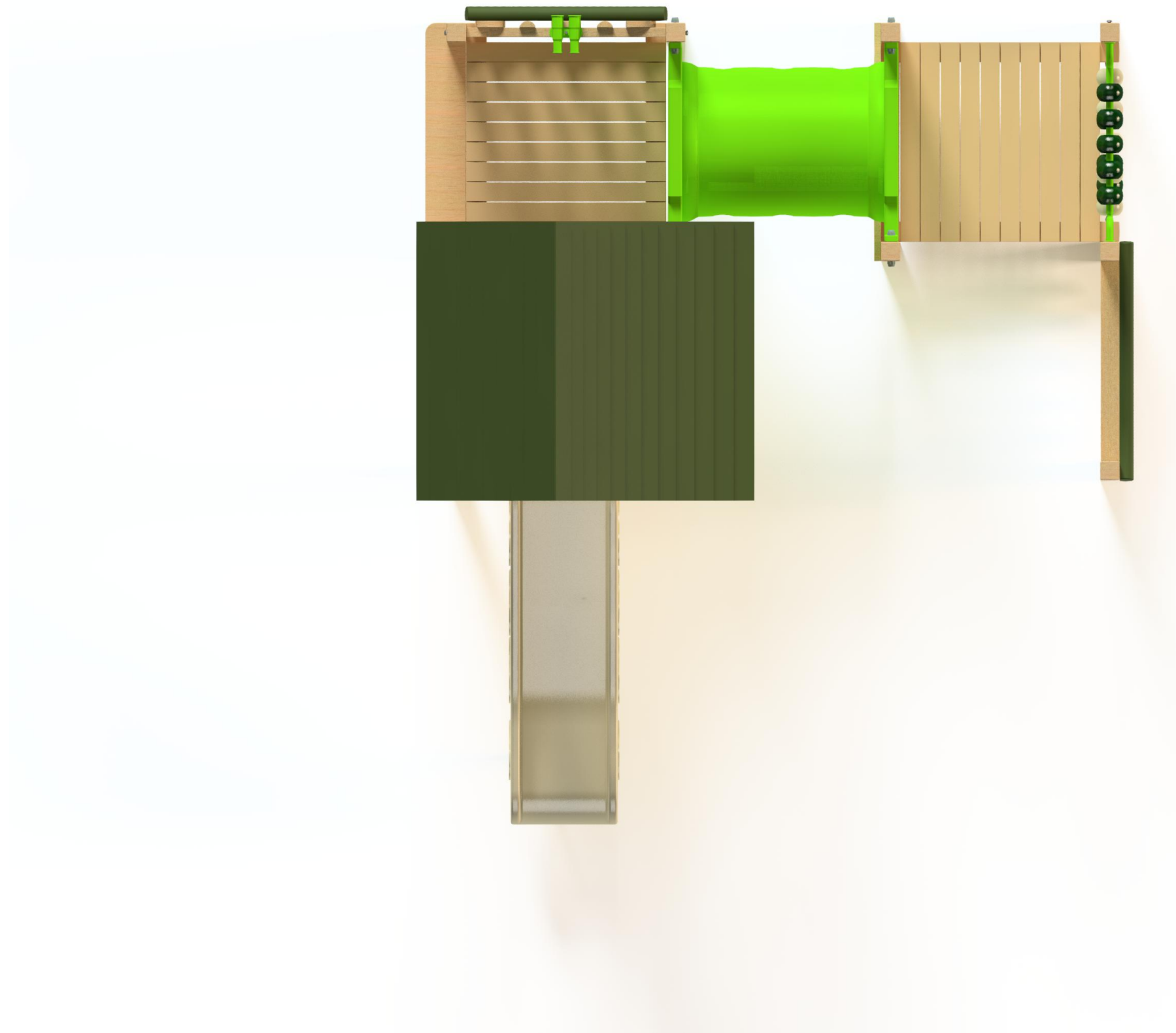
Edmonton 108 - TP Nature

Front view

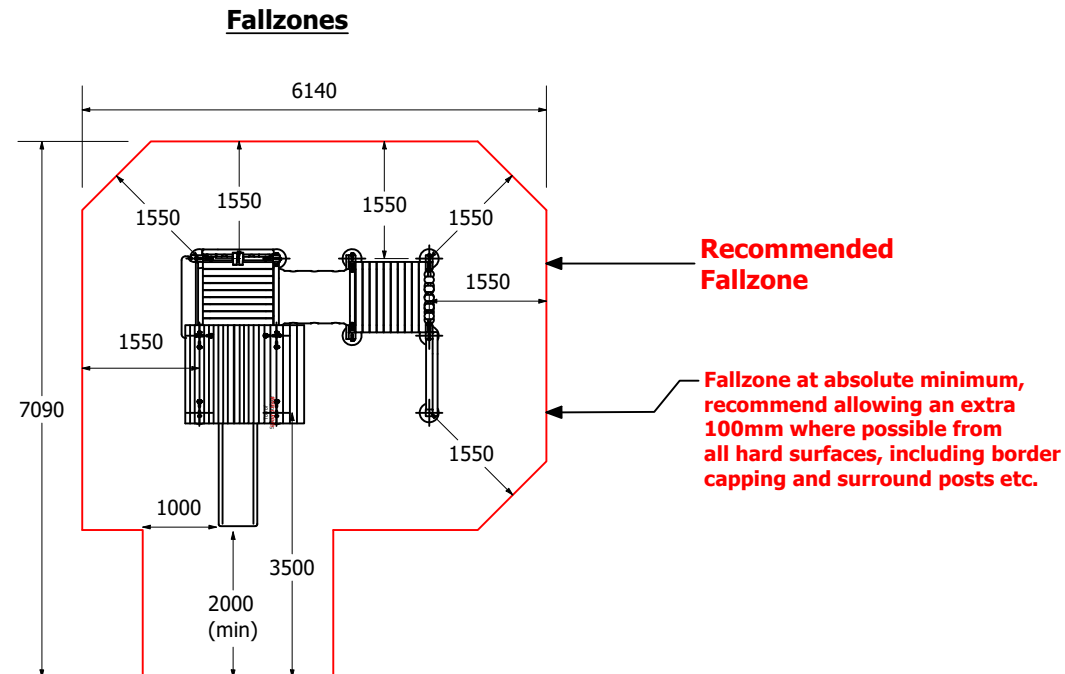


Edmonton 108 - TP Nature

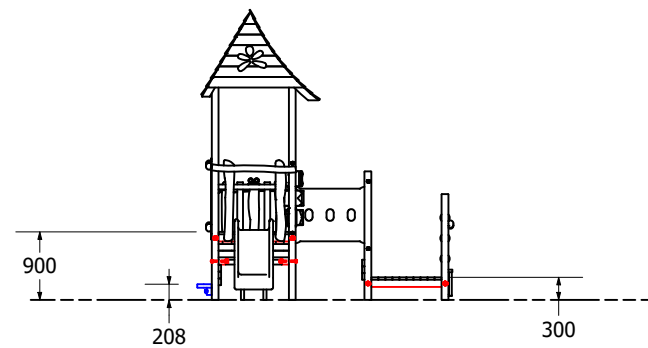
Plan view



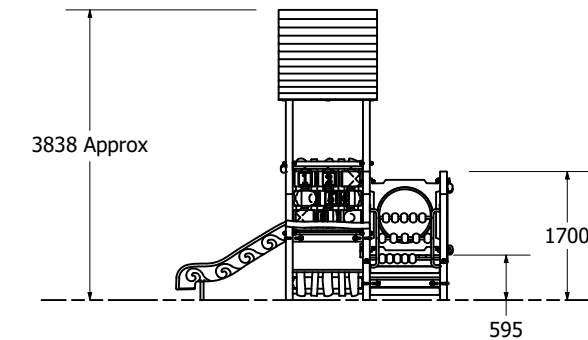
1:100 @ A3



Front Elevation



Right Elevation



Please note: This playground is easily accessible for those under 36 months.

Technical Information

Main Dimension	6140x7090
Total Area	36m ²
Max FHOFF	900
Heaviest Part	40kg
Compliant to	NZS 5828:2015 AS 4685:2017 EN 1176:2008

REVISION HISTORY

REV	DESCRIPTION	DATE	BY
0	Creation	7/11/2017	
1	Added angled pole heights	23/5/2022	HS

Age groups appropriate for:

