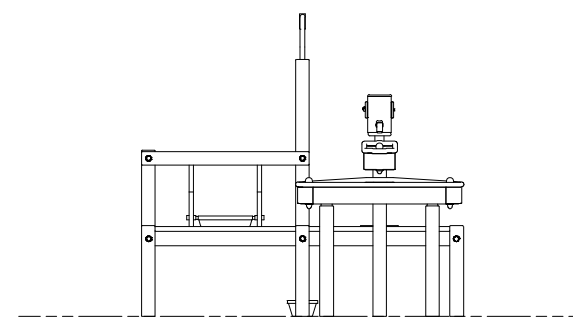
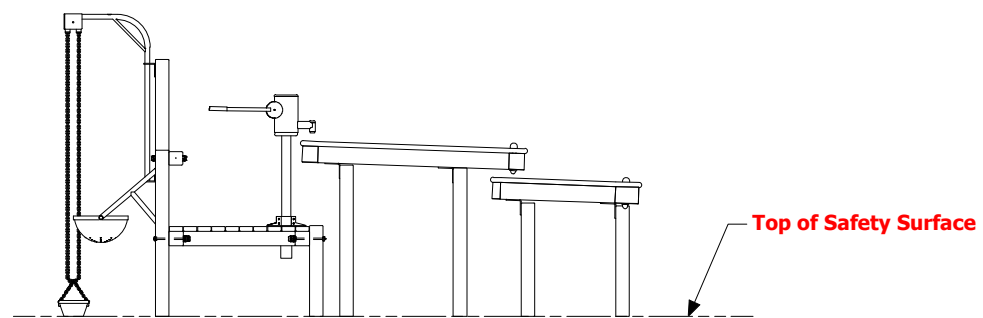
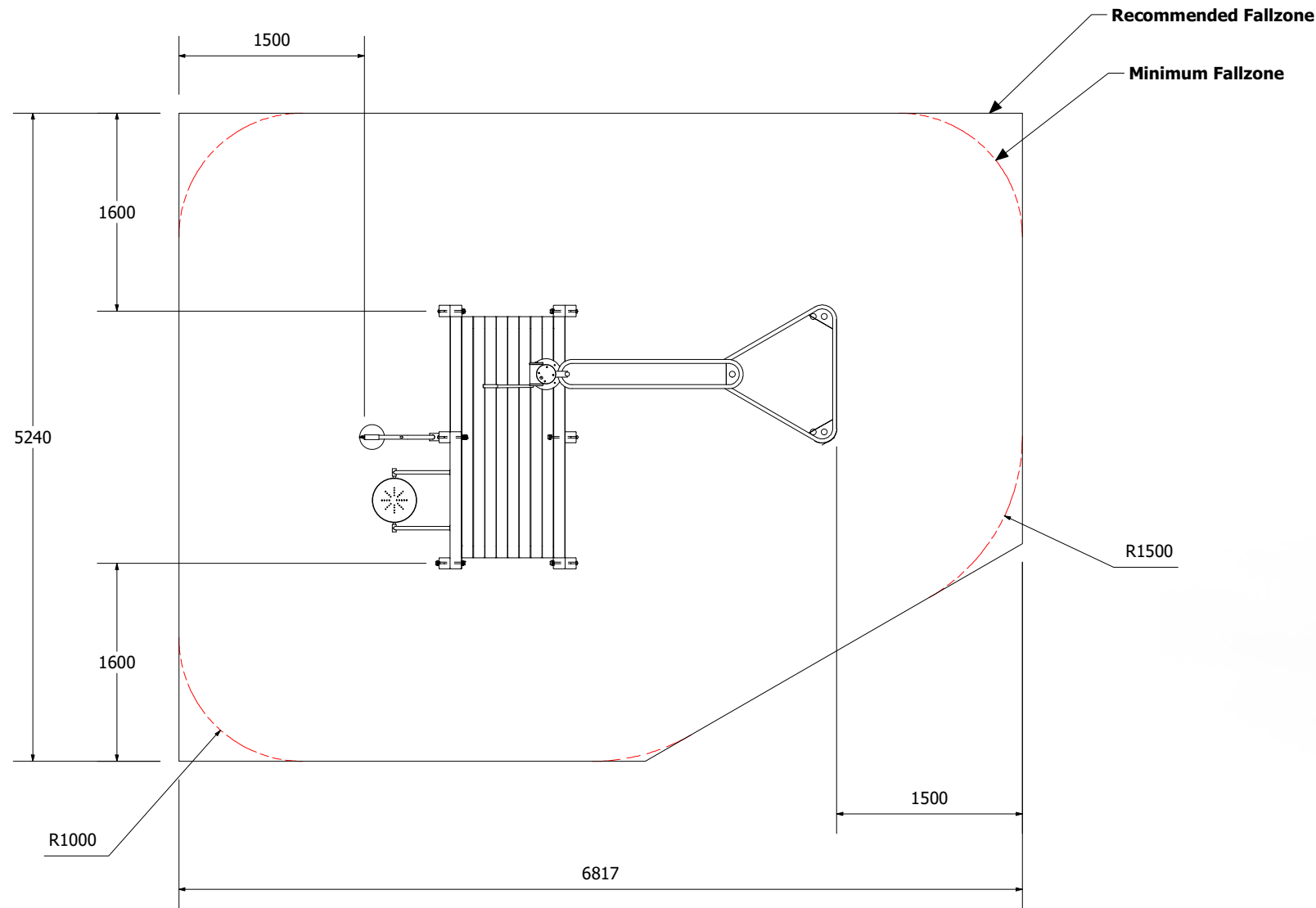


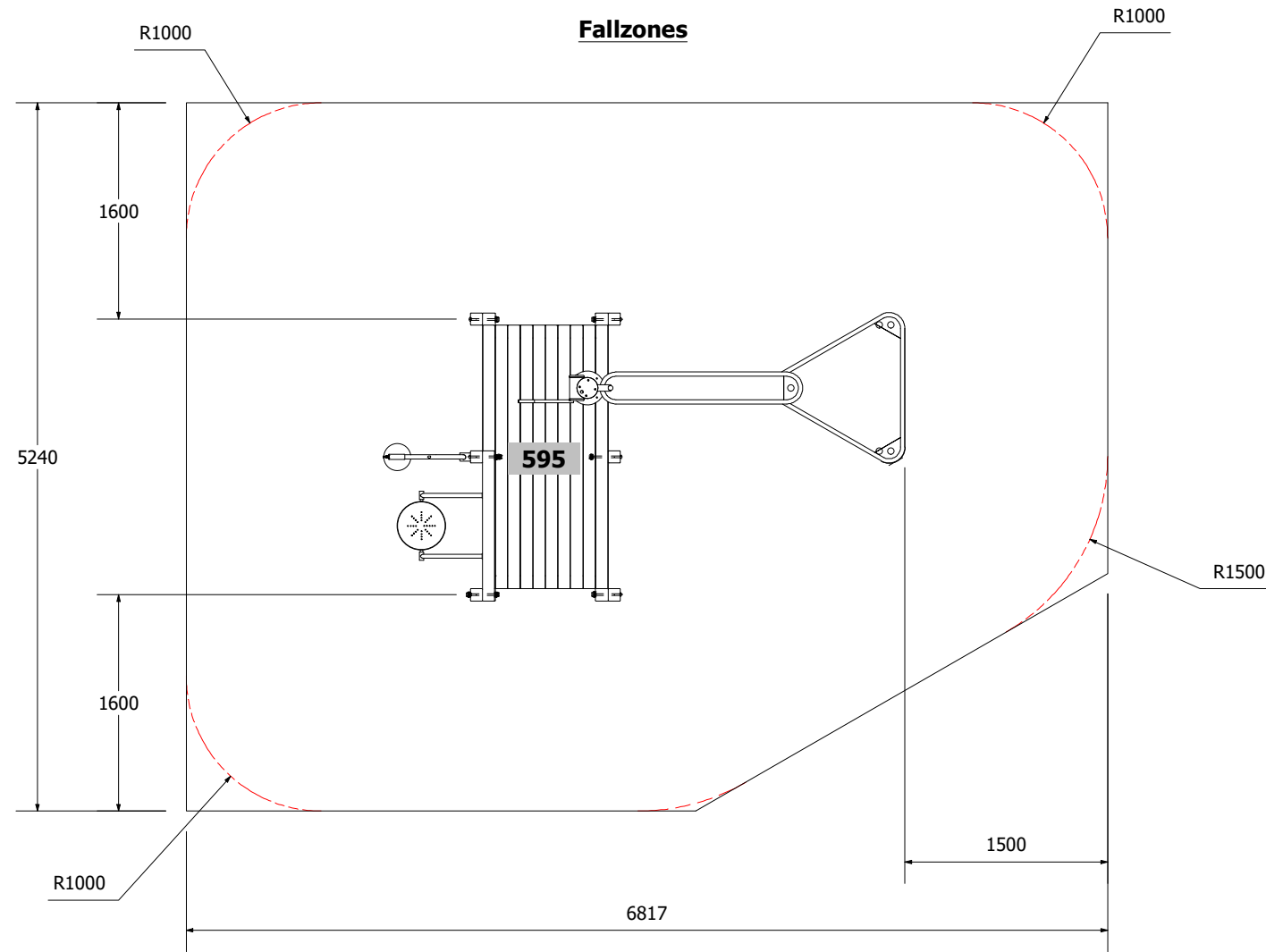
Waterplay Module - MOTP240



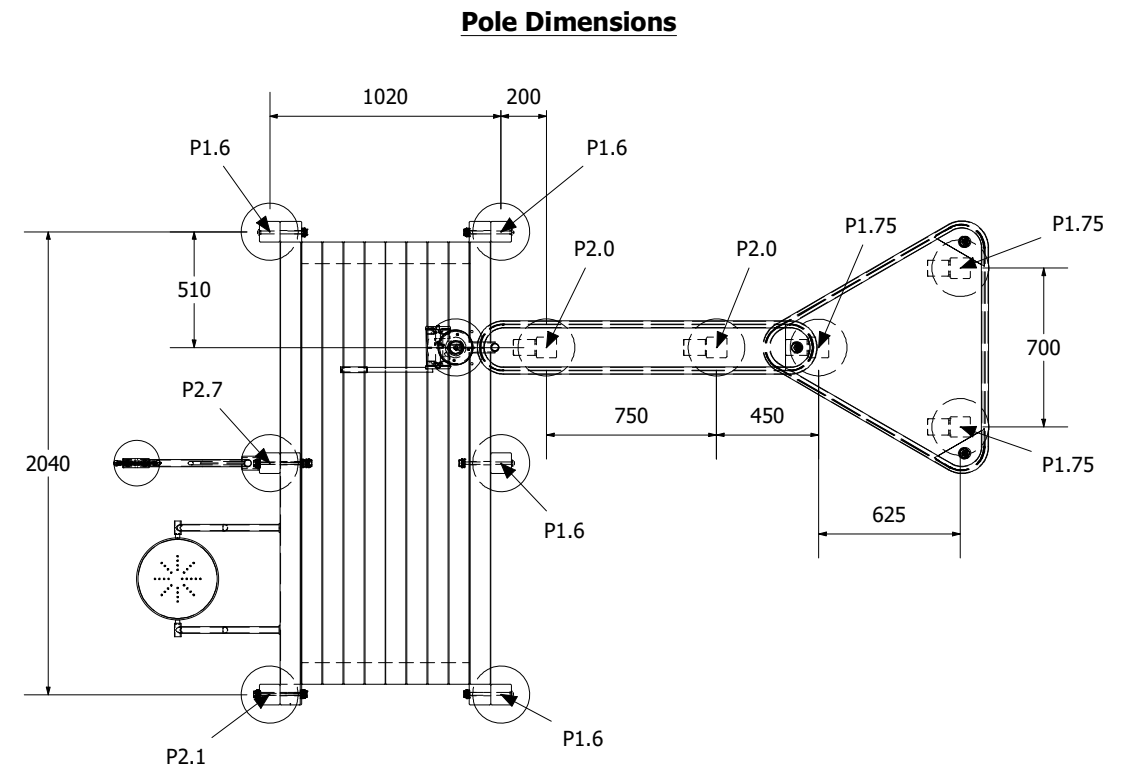


Technical Information	
Main Dimension	6817x5240mm
Total Area	33m2
Max FHOE	595mm
Heaviest Part	
Compliant to	NZS 5828:2015 AS 4685:2017 EN 1176:2008

1:50 @ A3



Front Elevation



Pole Dimensions

Right Elevation

