

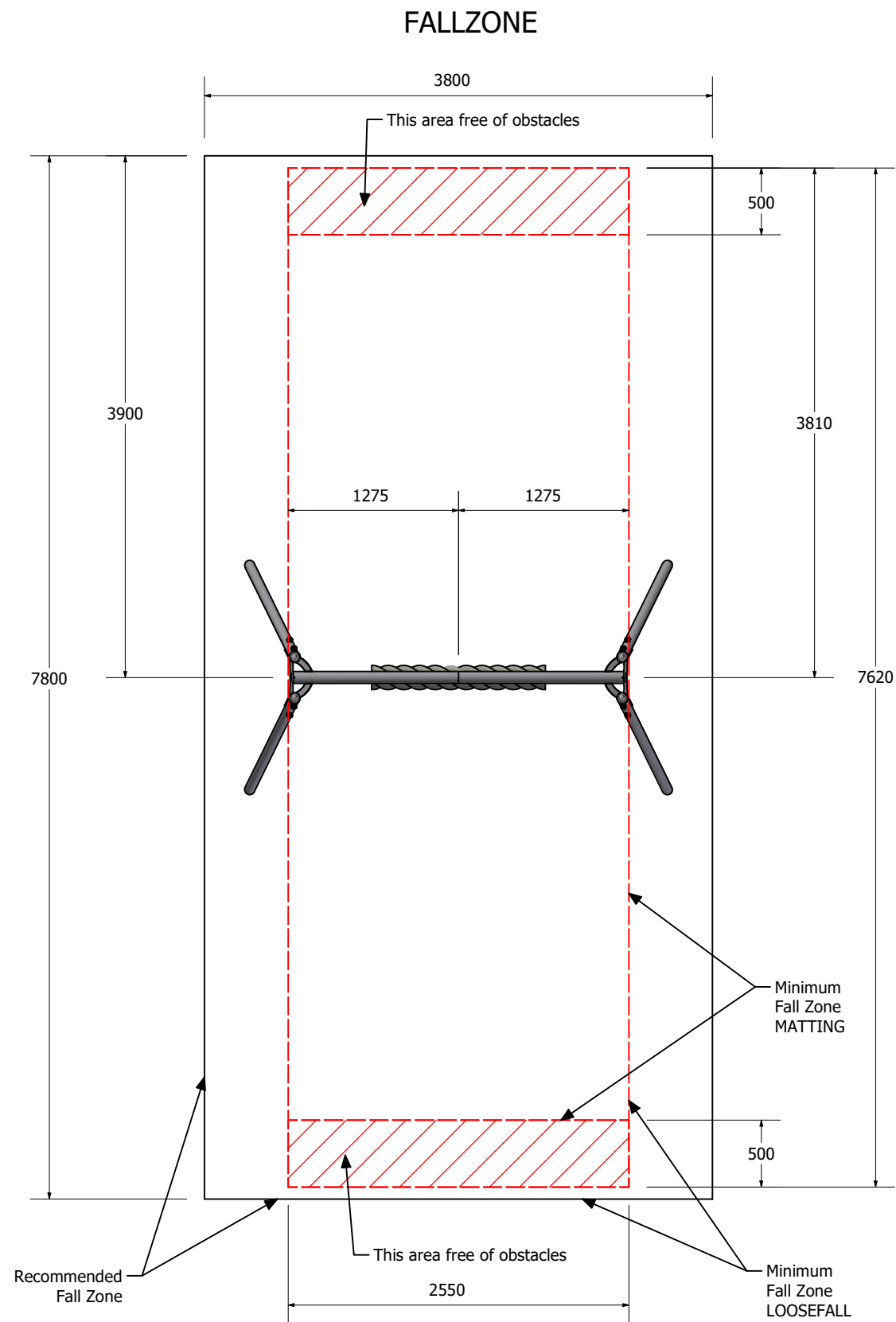
METAPLAY SWING - 2 BAY DUO ROPE

SWMP2D

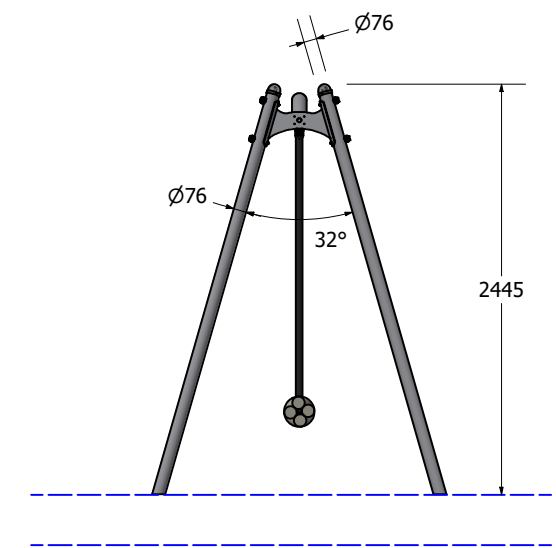
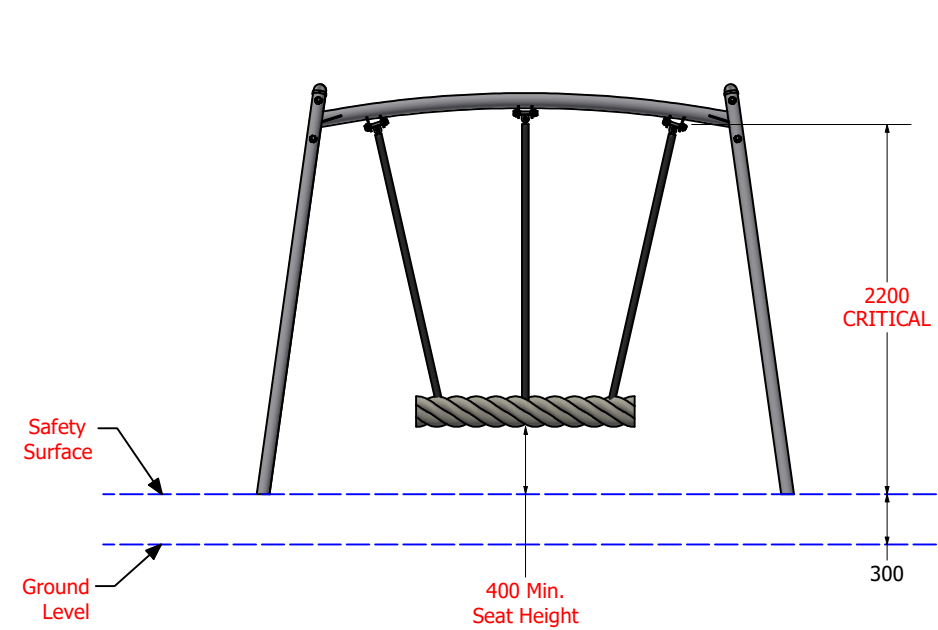
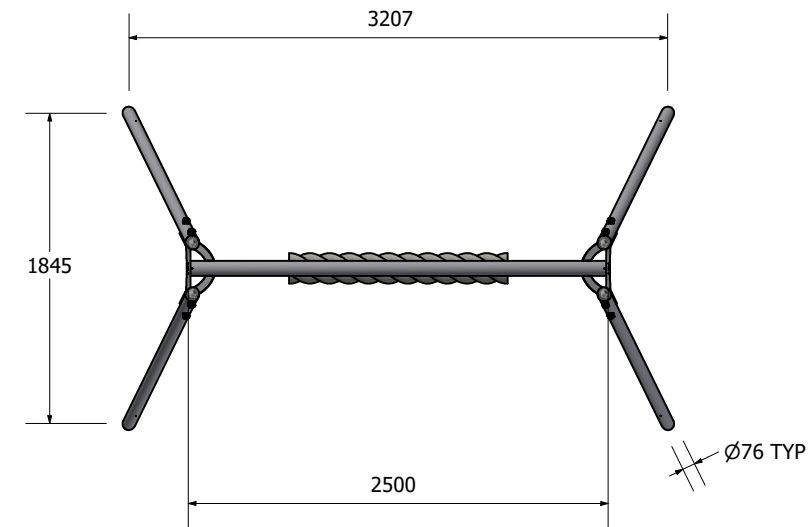


METAPLAY SWING - 2 BAY DUO ROPE

SWMP2D



DIMENSIONS AT GROUND LEVEL



Technical Information	
Main Dimension	7800 x 3900
Total Area	30 sq/m
Max FHOV	1400 mm
Heaviest Part	50 kg
Compliant to	NZS 5828:2015 AS 4685:(series) EN 1176:2008