

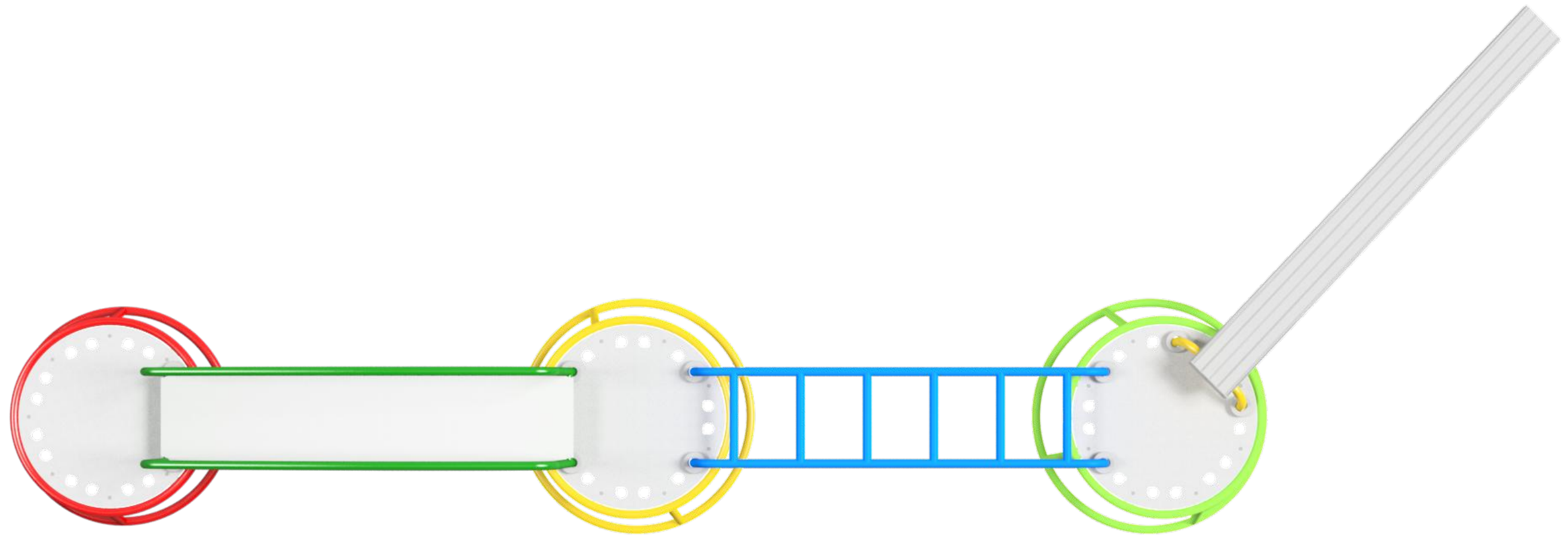
# Bambino Starter Combo H

BOMOCOMH

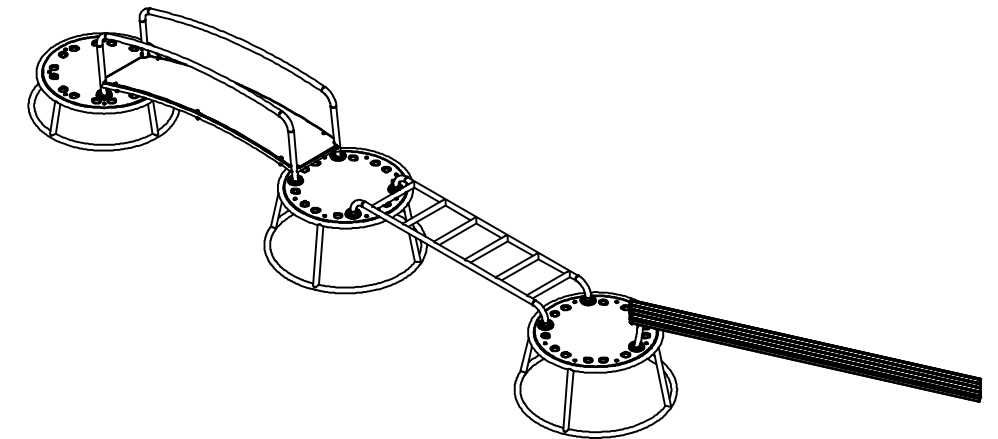
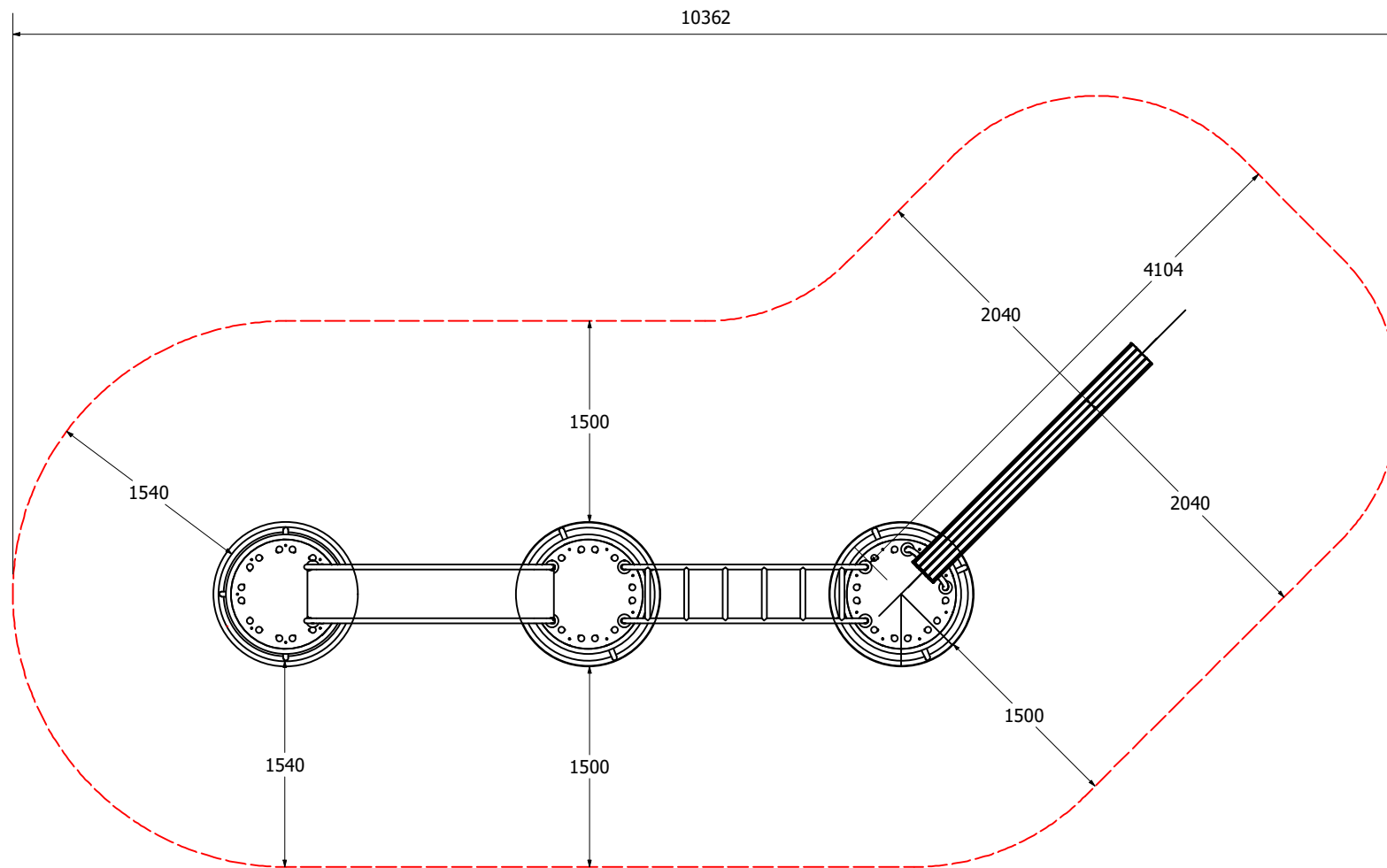


# Bambino Starter Combo H

BOMOCOMH



BOMOCOMH

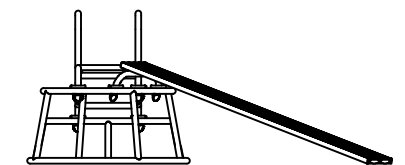
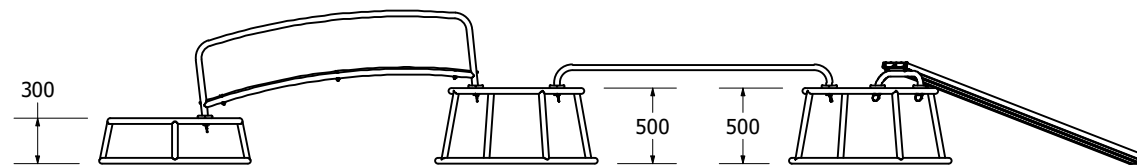


**FALL ZONE**

Note: As this equipment is moveable the end user should ensure there is 1500mm clear space from the edge of each piece of equipment. This drawing only shows the fall zone if the equipment is laid out in the same orientation.

**Front Elevation**

**Right Elevation**



Technical Information	
Main Dimension	Varies
Total Area	Varies
Max FHOFF	700mm
Heaviest Part	
Compliant to	NZS 5828:2015 AS 4685:(series) EN 1176:2008