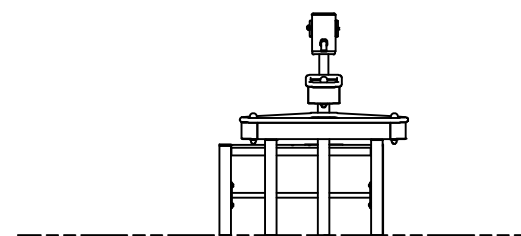
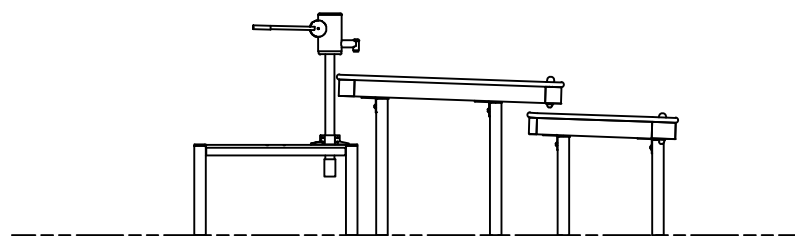
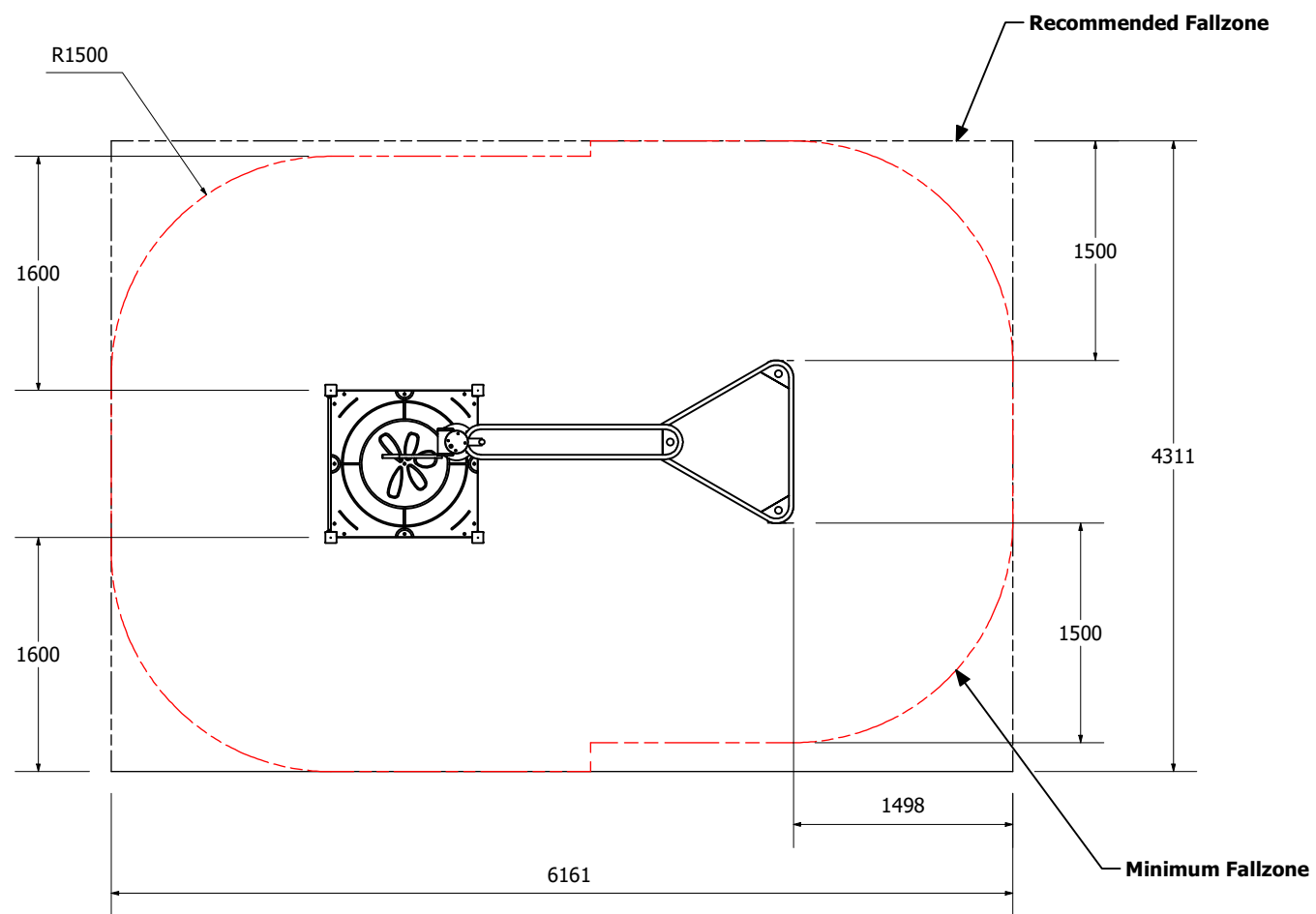


# Waterplay Module 239

MOMP239





Technical Information	
Main Dimension	6263x4311mm
Total Area	24m <sup>2</sup>
Max FHO	595mm
Heaviest Part	
Compliant to	NZS 5828:2015 AS 4685:2017 EN 1176:2008