

SC384 Timba Slide Unit - TP Nature

Rear view

SC384 Timba Slide Unit - TP Nature

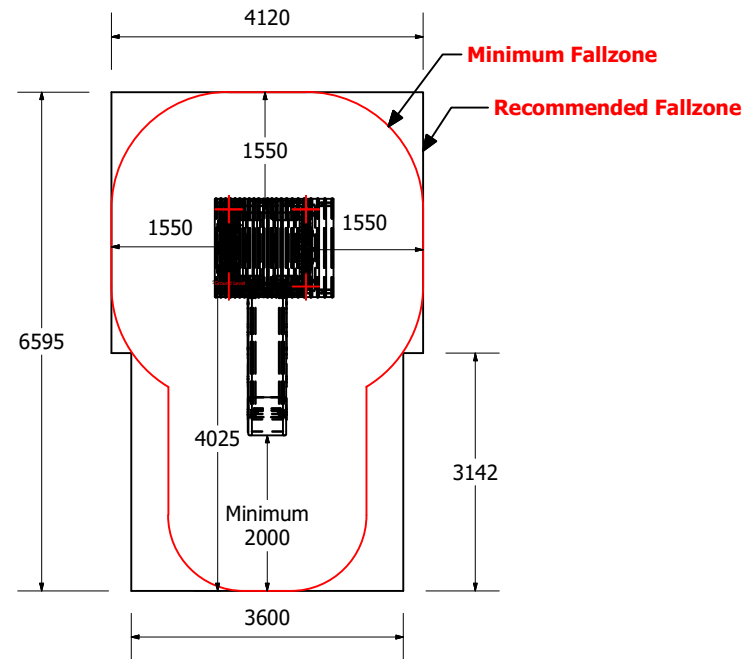
Plan view



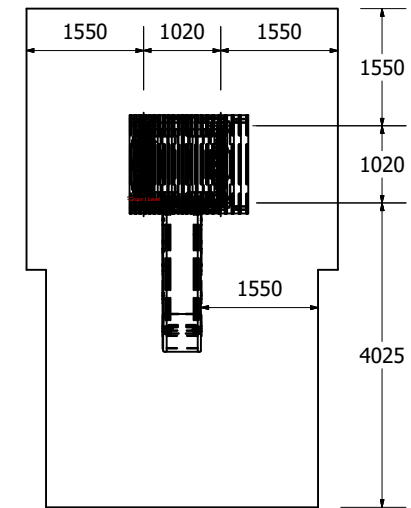
SC384 Timba Slide Unit - TP Nature

Fallzones and technical information

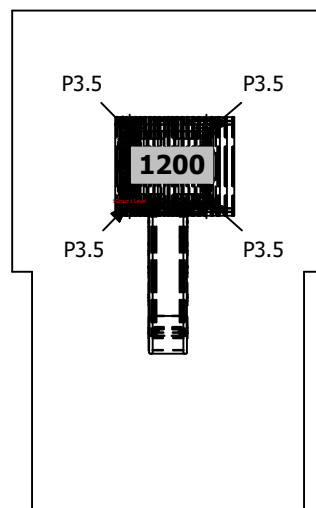
Fallzones



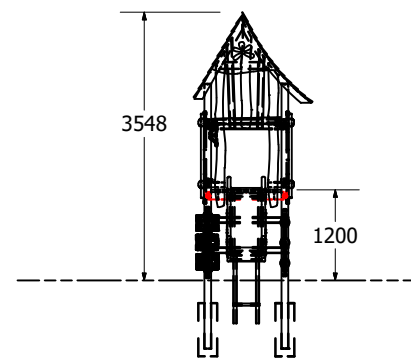
Pole Dimensions



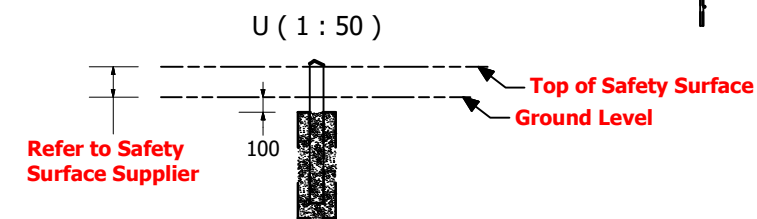
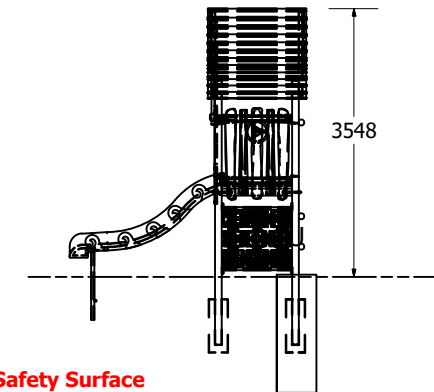
Pole Type



Front Elevation



Right Elevation



Technical Information	
Main Dimension	6595 x 4120
Total Area	26m ²
Max FHO	1200
Heaviest Part	40kg
Compliant to	NZS 5828:2015 AS 4685:2017 EN 1176:2008

REVISION HISTORY			
REV	DESCRIPTION	DATE	BY
0	Creation	19/04/2017	

