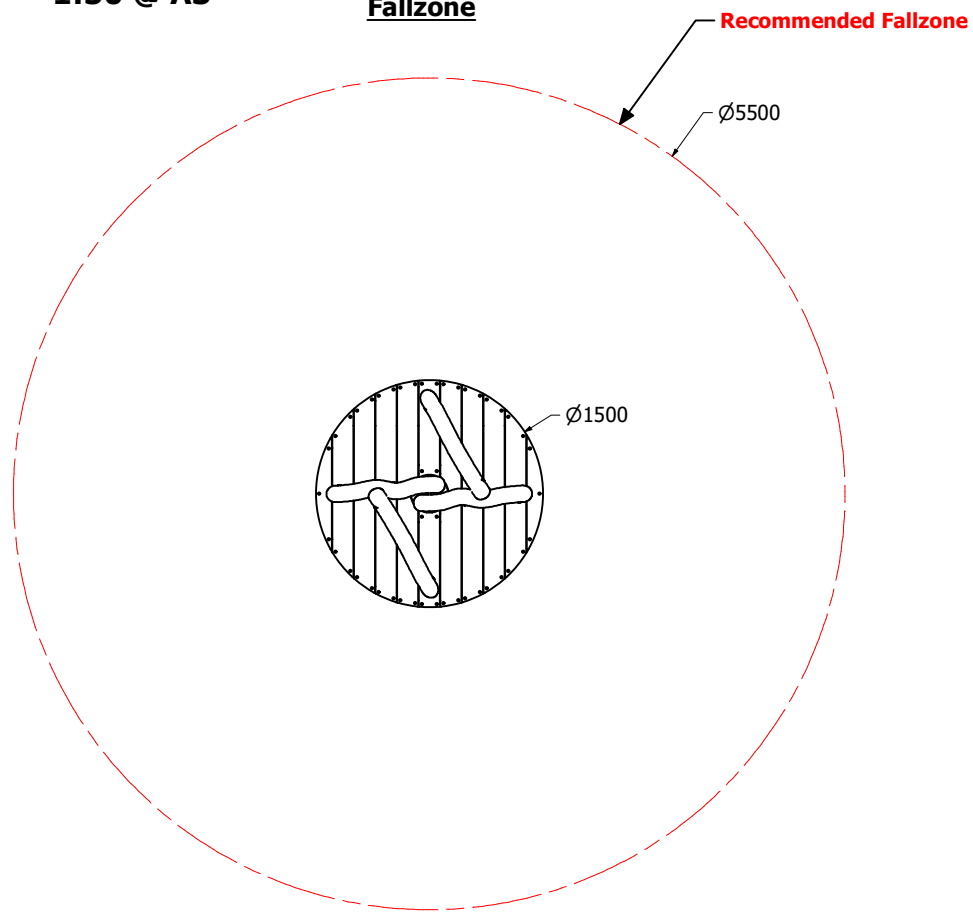


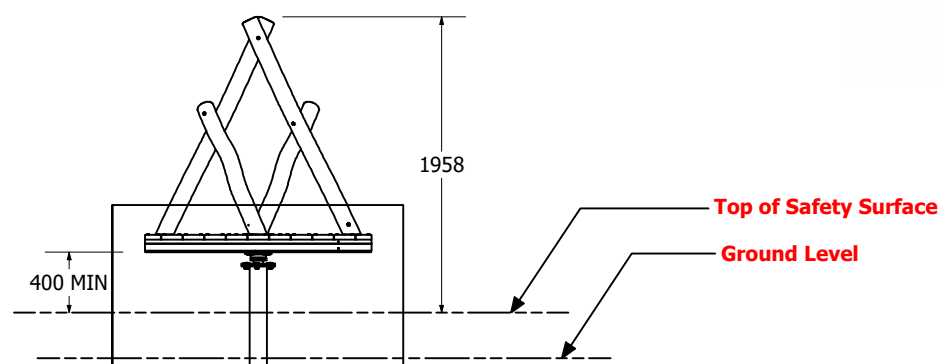
Wobbly Wood Family Carousel

1:50 @ A3

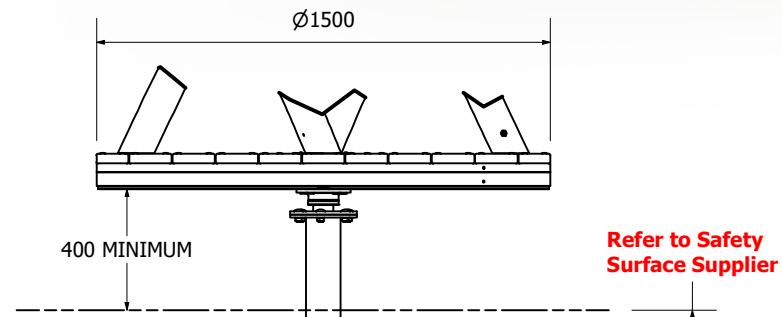
Fallzone



Front Elevation



A (1 : 25)



REVISION HISTORY			
REV	DESCRIPTION	DATE	BY
0	Creation	22/02/2021	Conor
1	Update Decking Bolts	25/03/2021	Conor

Technical Information	
Main Dimension	5500
Total Area	24m ²
Max FHOF	NZ: <1m / AUS: 1.5m
Heaviest Part	N/A
Compliant to	NZS 5828:2015 AS 4685:2017 EN 1176:2008