

Train 214 - Timbaplay



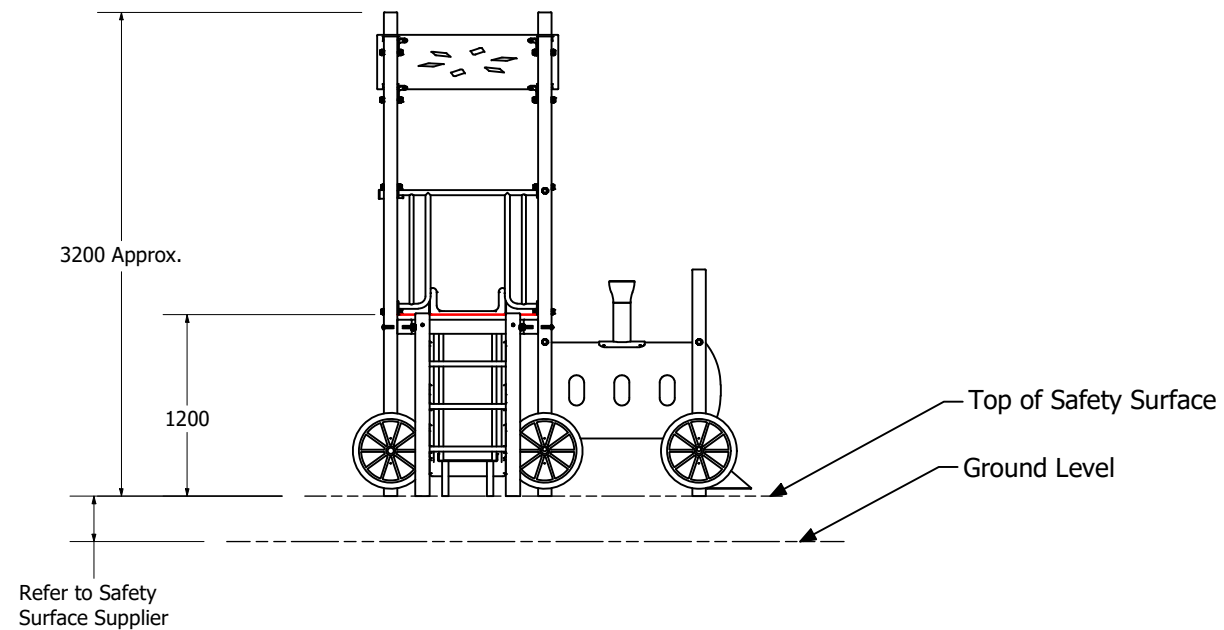
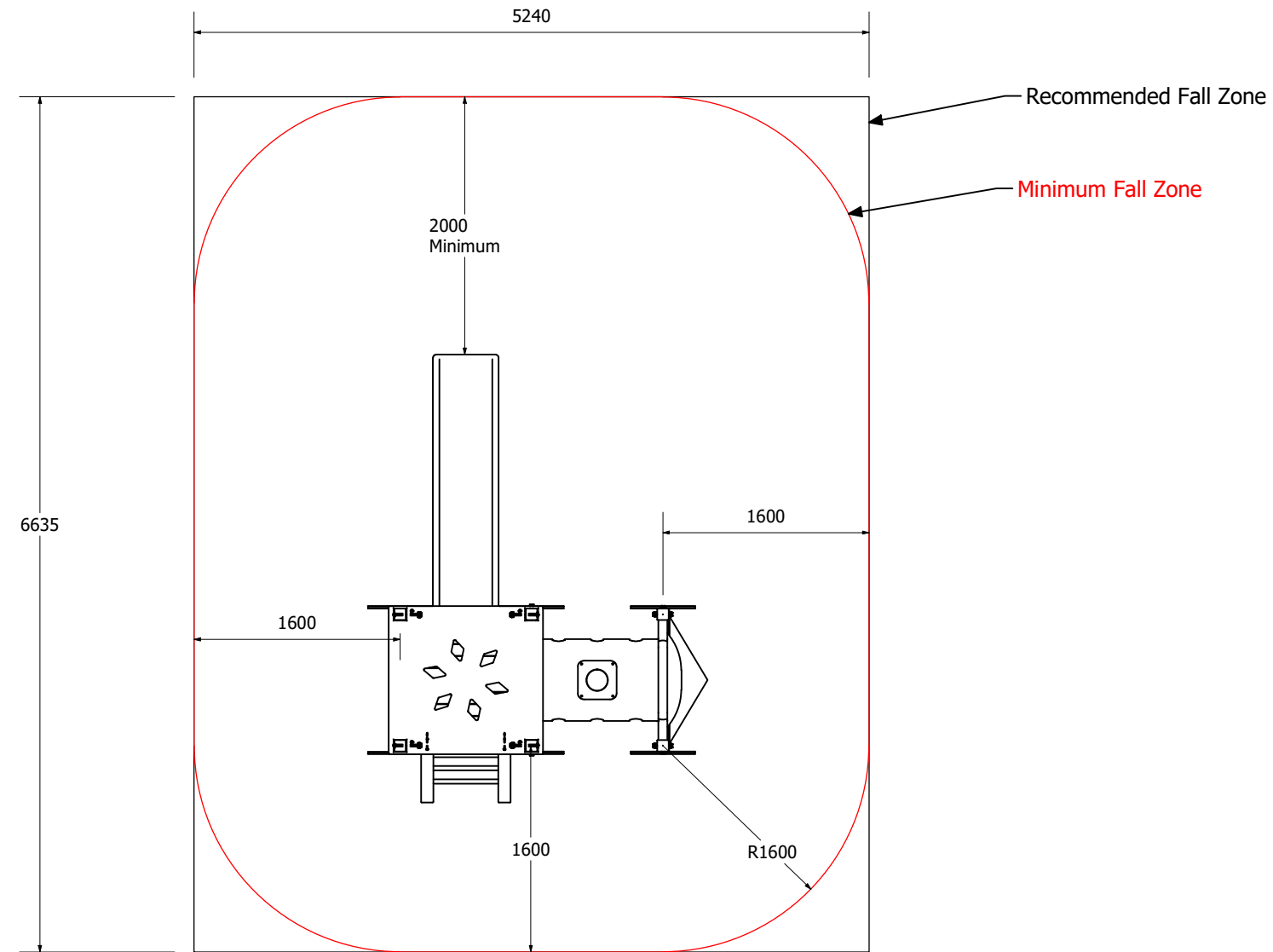
Train 214 - Timbaplay



Train 214 - Timbaplay



Train 214 - Timbaplay



Technical Information	
Main Dimension	5240 x 6635mm
Total Area	34.8m ²
Max FHOF	1200mm
Heaviest Part	-
Compliant to	NZS 5828:2015 AS 4685:2017 EN 1176:2008