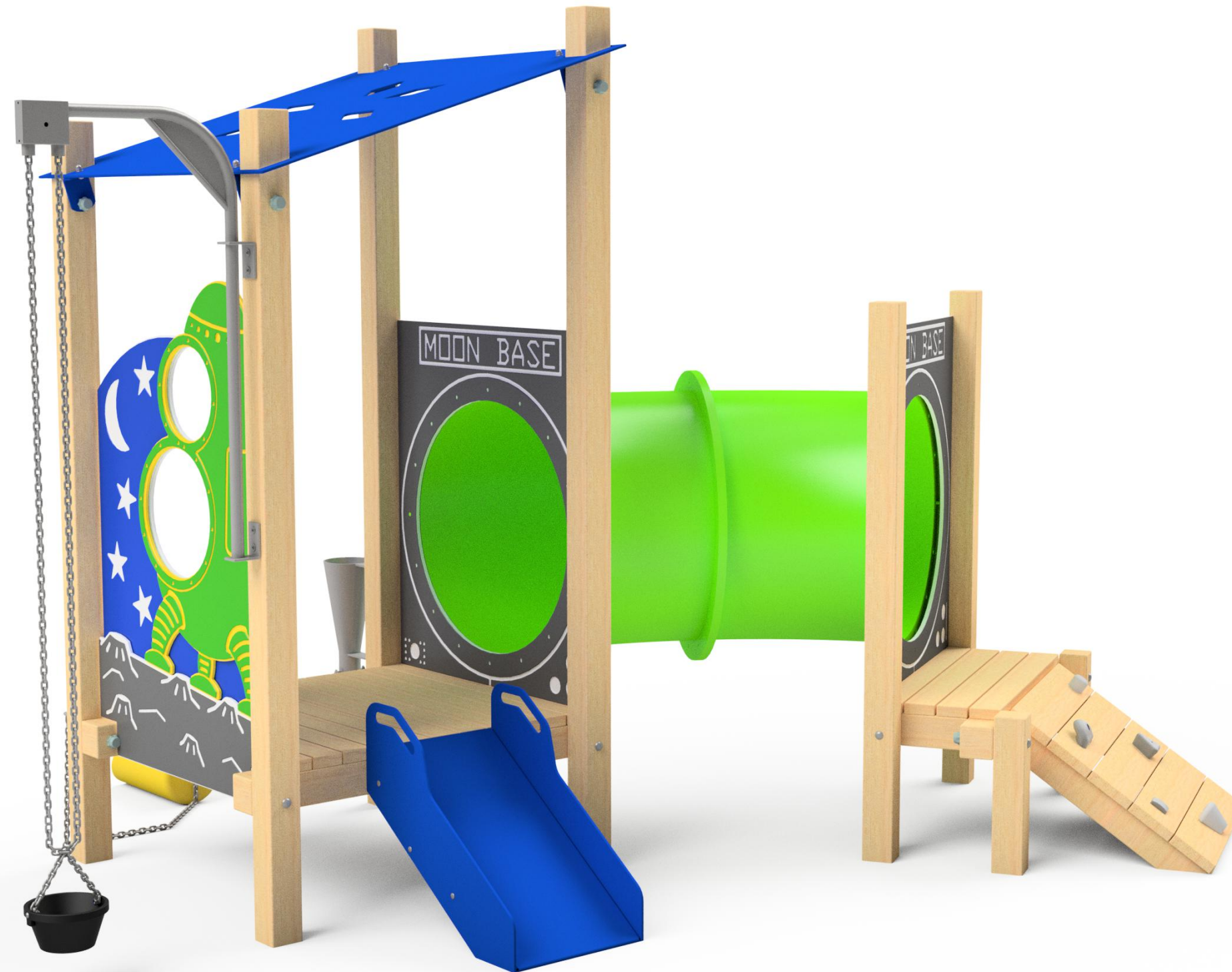
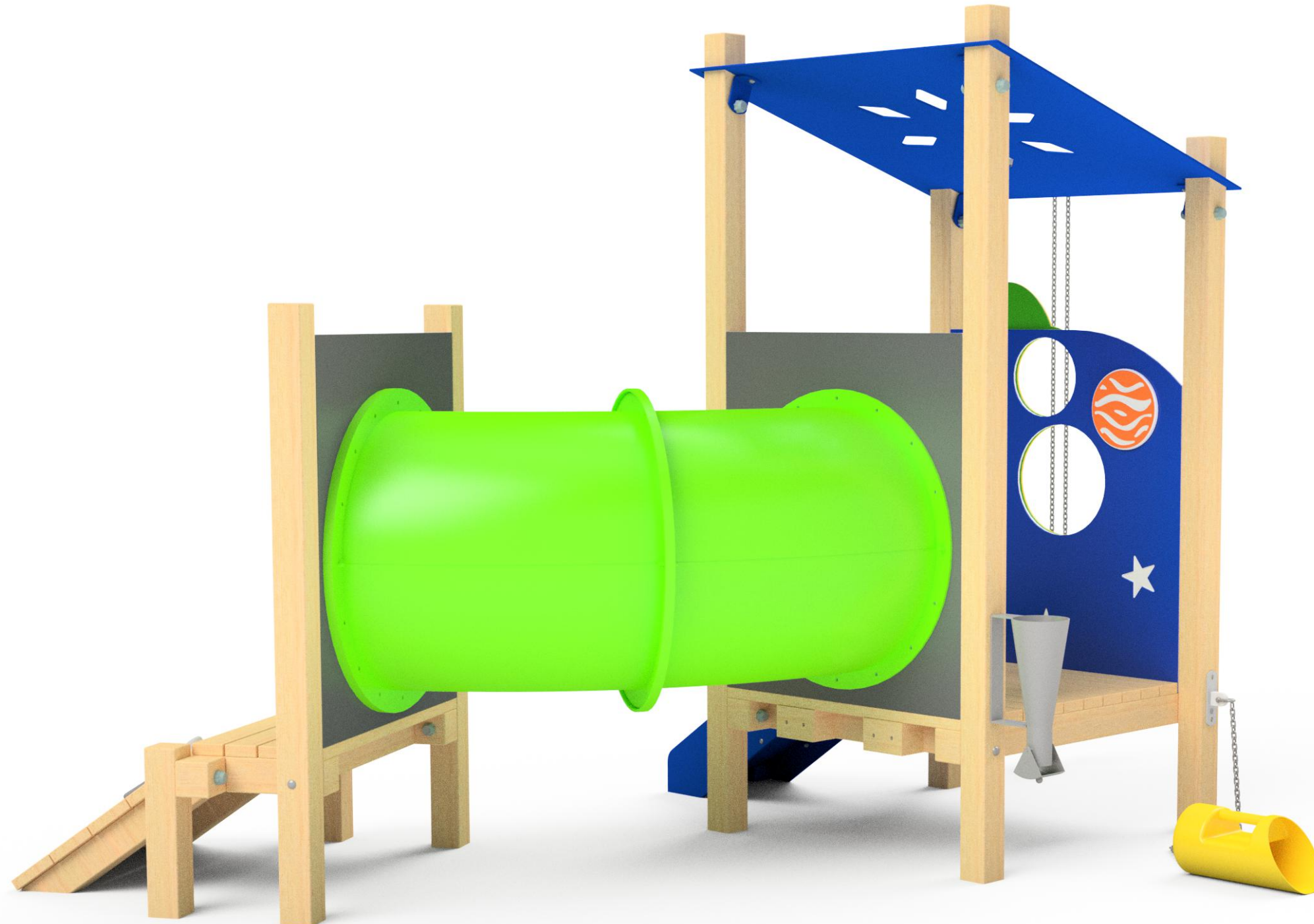


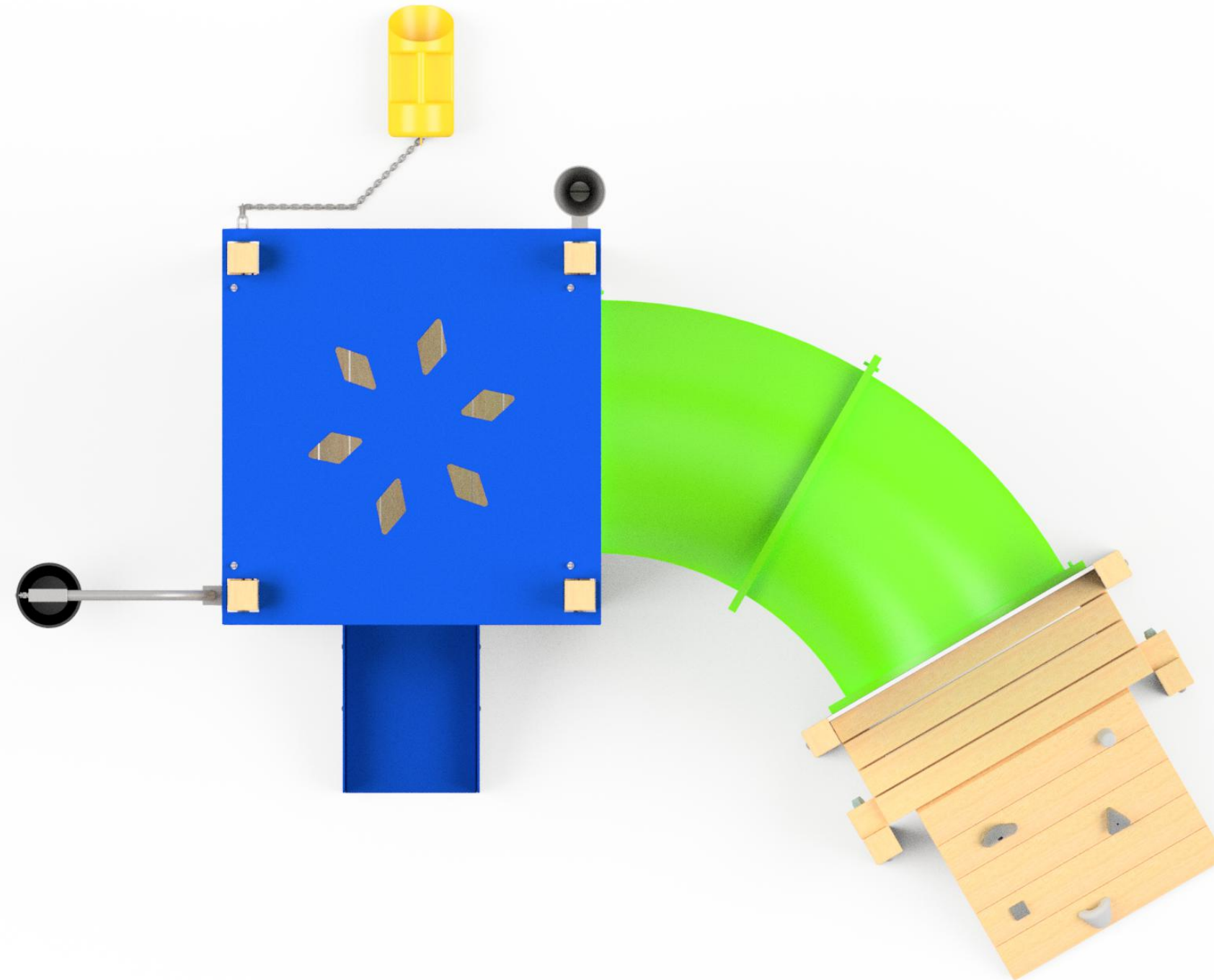
Toddler Series 168 - Luna Station

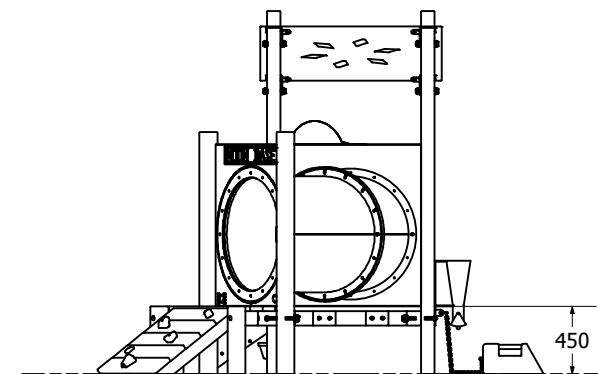
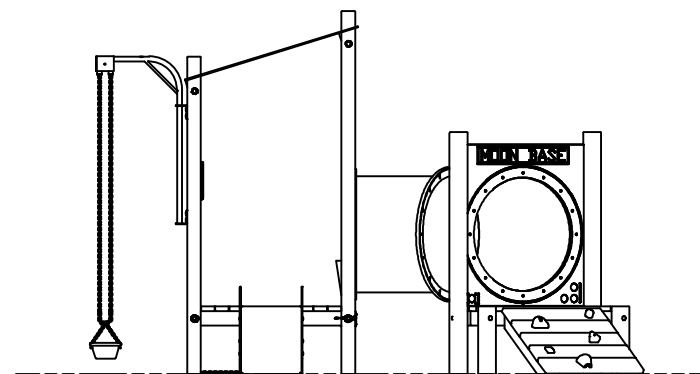
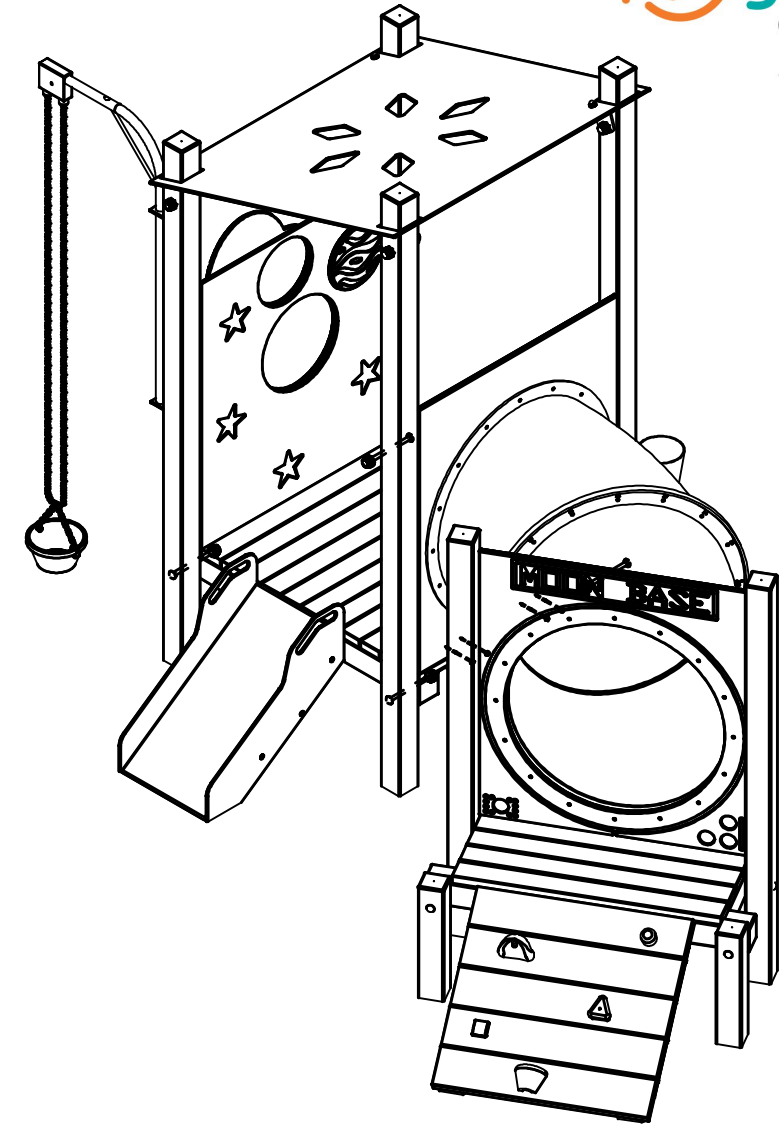
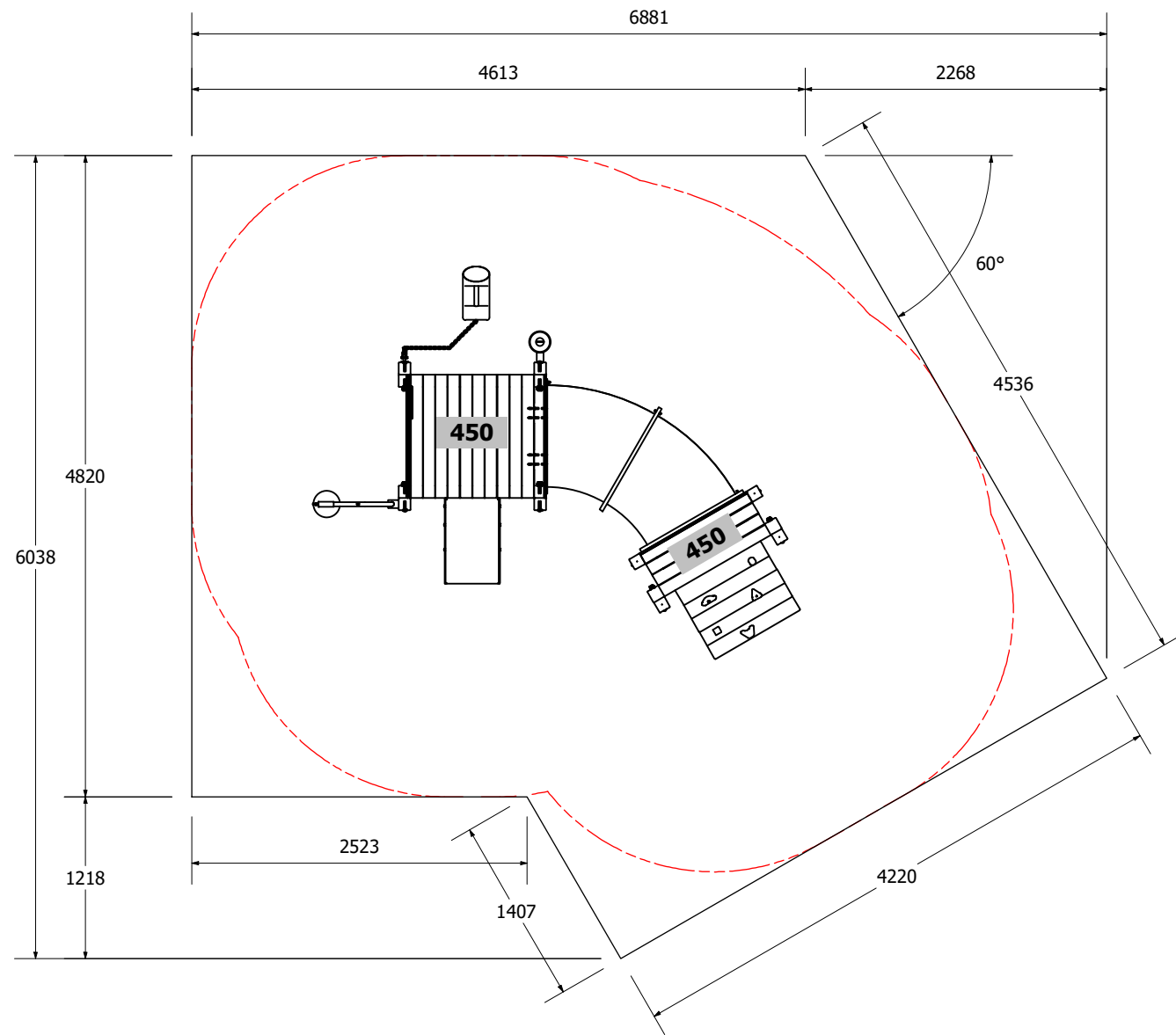


Toddler Series 168 - Luna Station



Toddler Series 168 - Luna Station





Technical Information	
Main Dimension	6880 x 6040mm
Total Area	30m2
Max FHO	450mm
Heaviest Part	N/A
Compliant to	NZS 5828:2015 AS 4685:(series) EN 1176:2008