

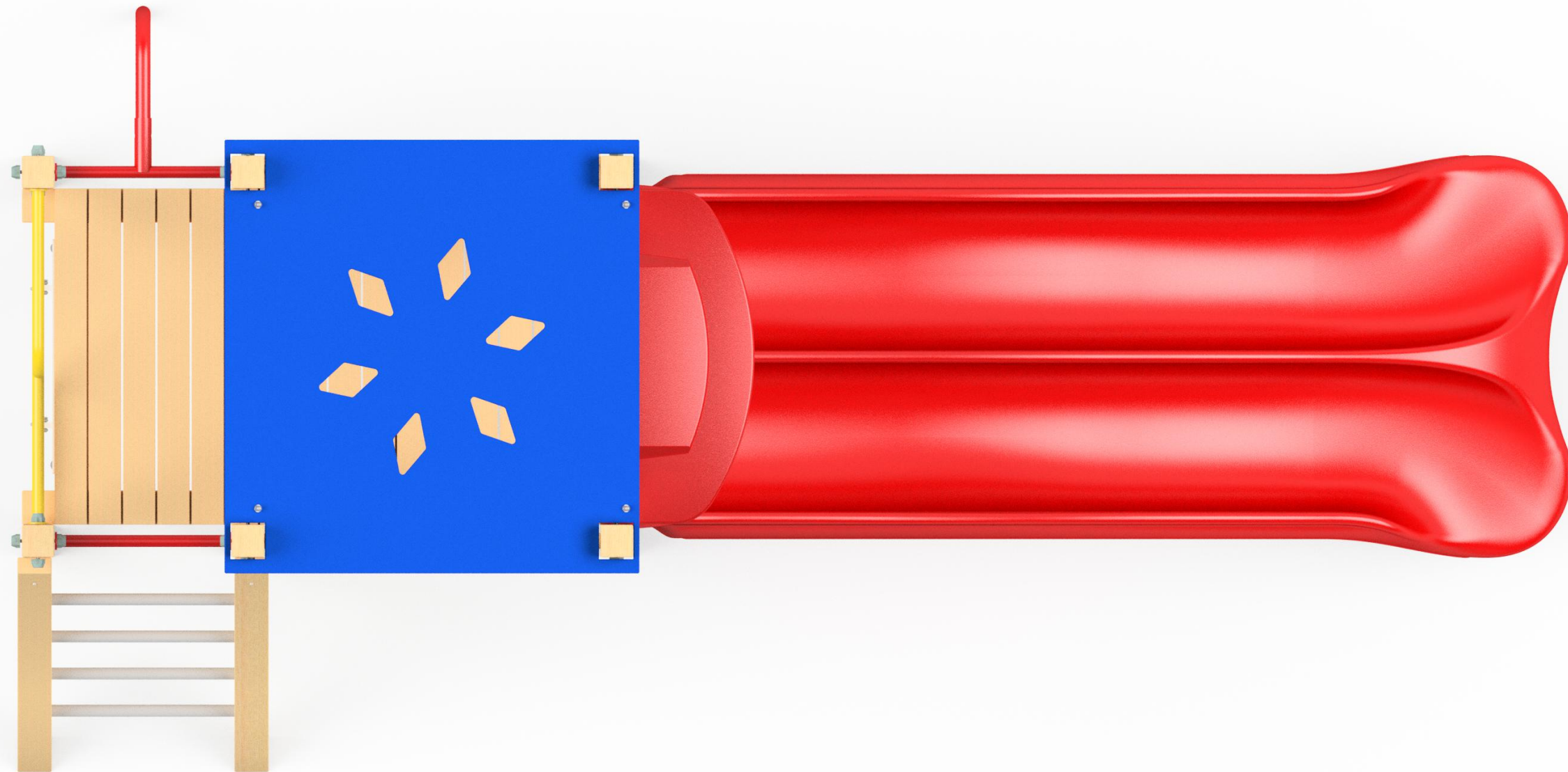
# Toddler Series 160 - Devon

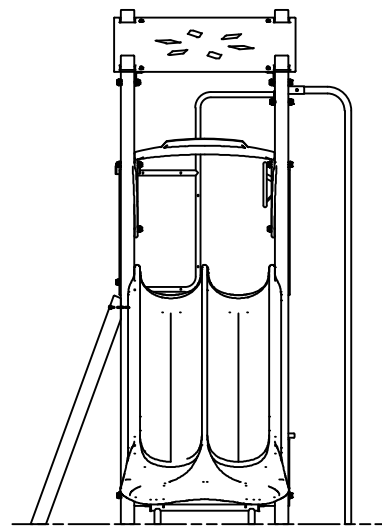
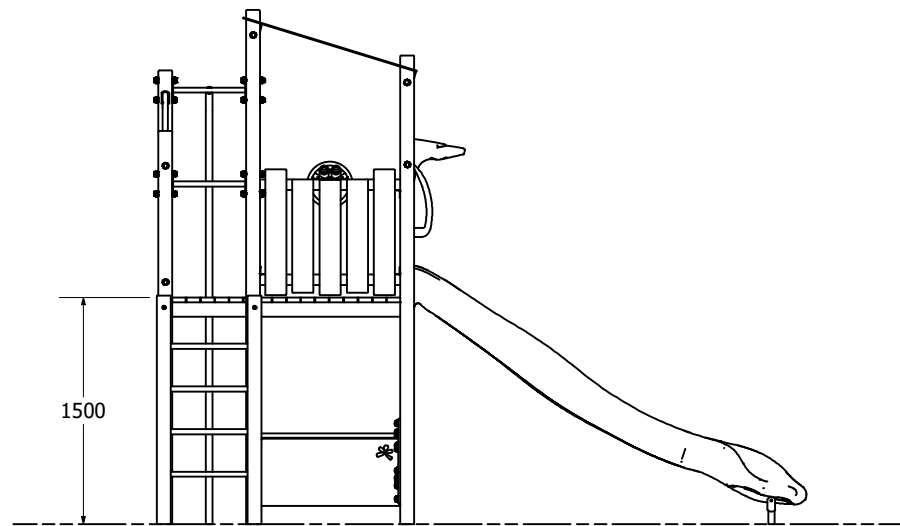
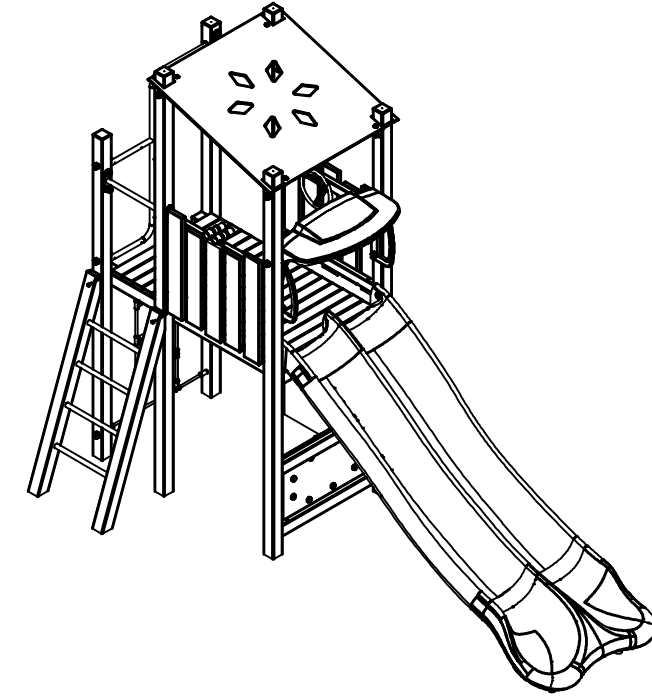
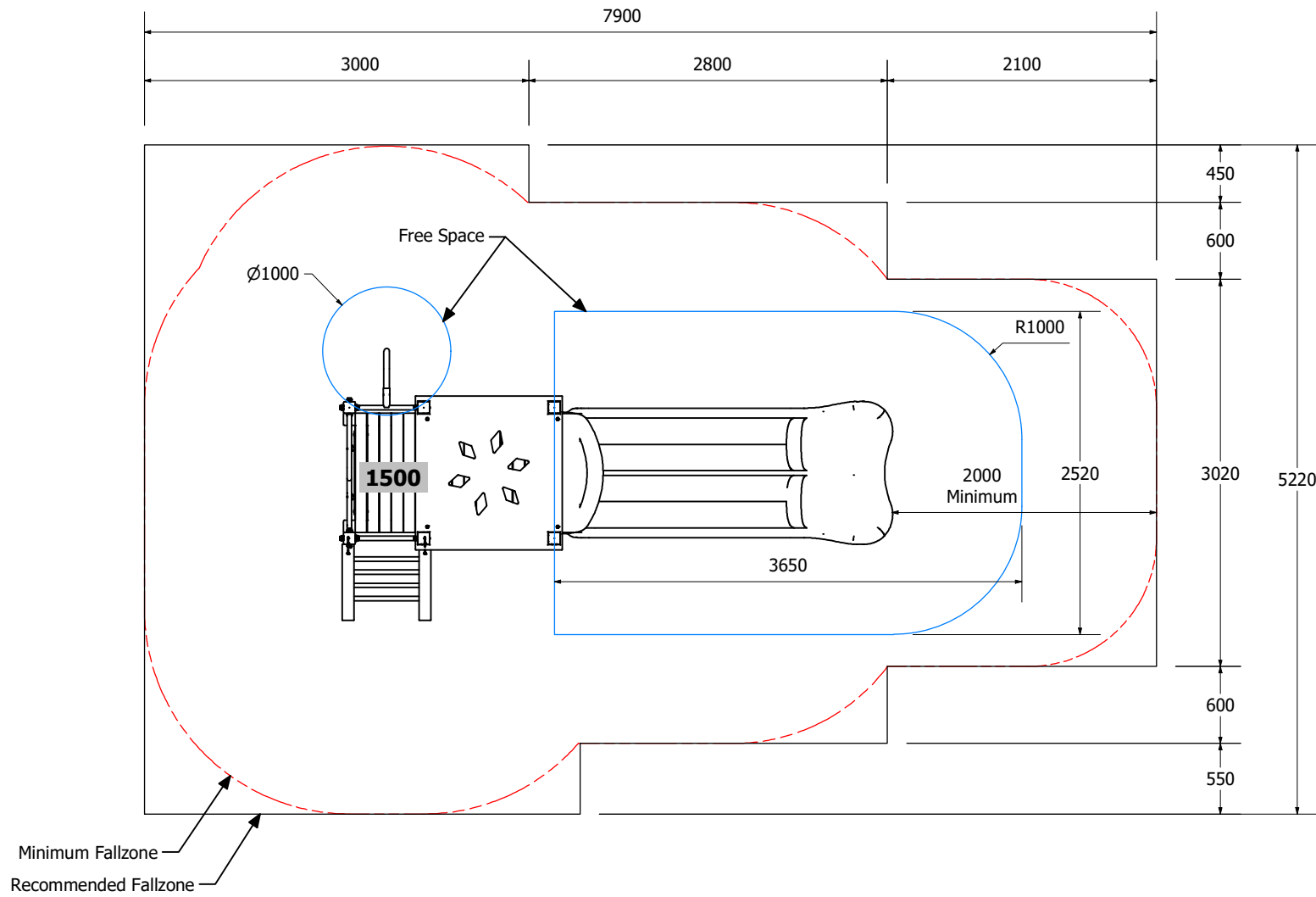


# Toddler Series 160 - Devon



# Toddler Series 160 - Devon





| Technical Information |   |
|-----------------------|---|
| Main Dimension        | 7900 x 5220mm                                 |
| Total Area            | 35m <sup>2</sup>                              |
| Max FHO               | 1500mm  |
| Heaviest Part         | N/A   |
| Compliant to          | NZS 5828:2015<br>AS 4685:2017<br>EN 1176:2008 |