

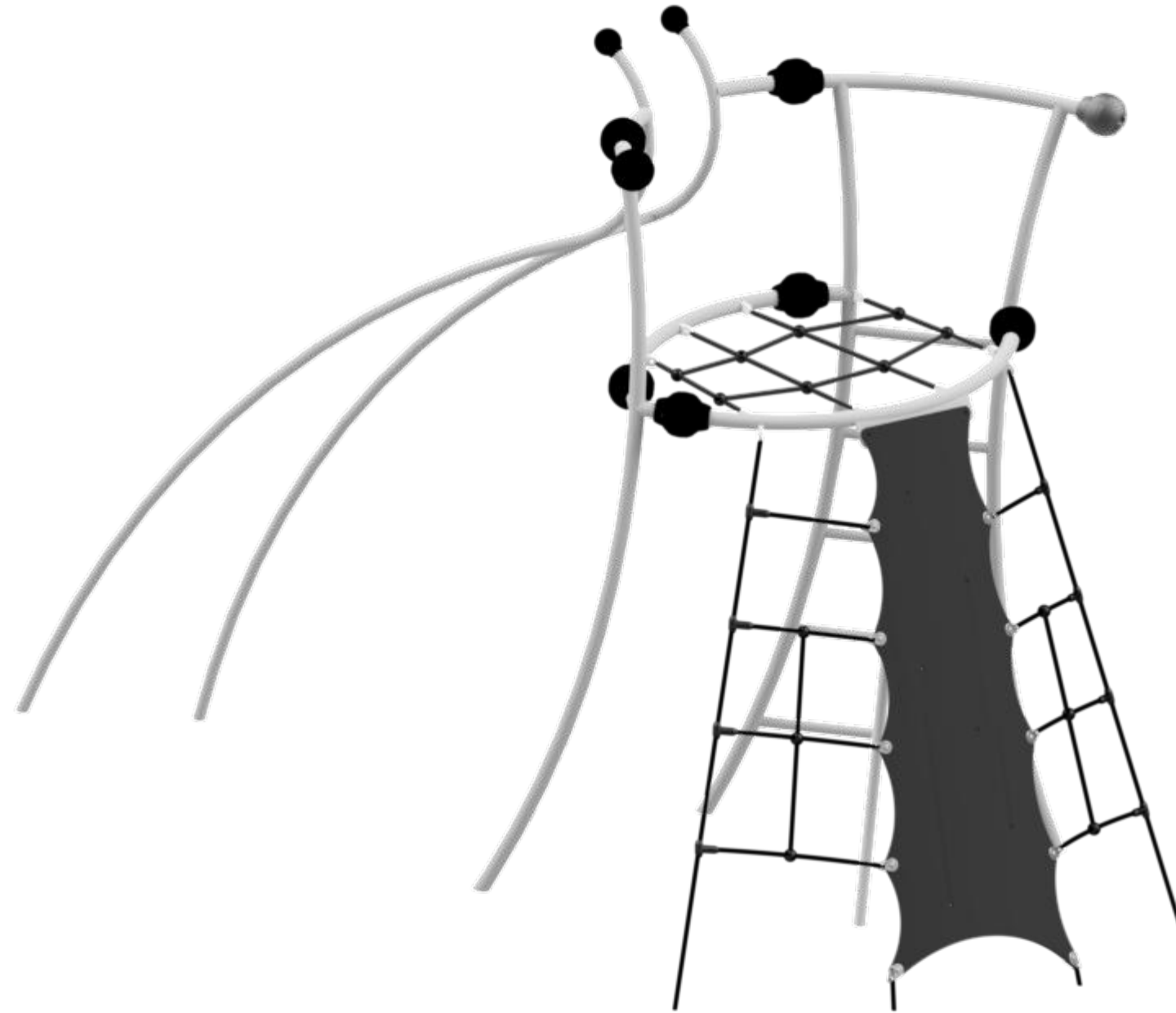
Titan Skytower 1010

MOTFP1010



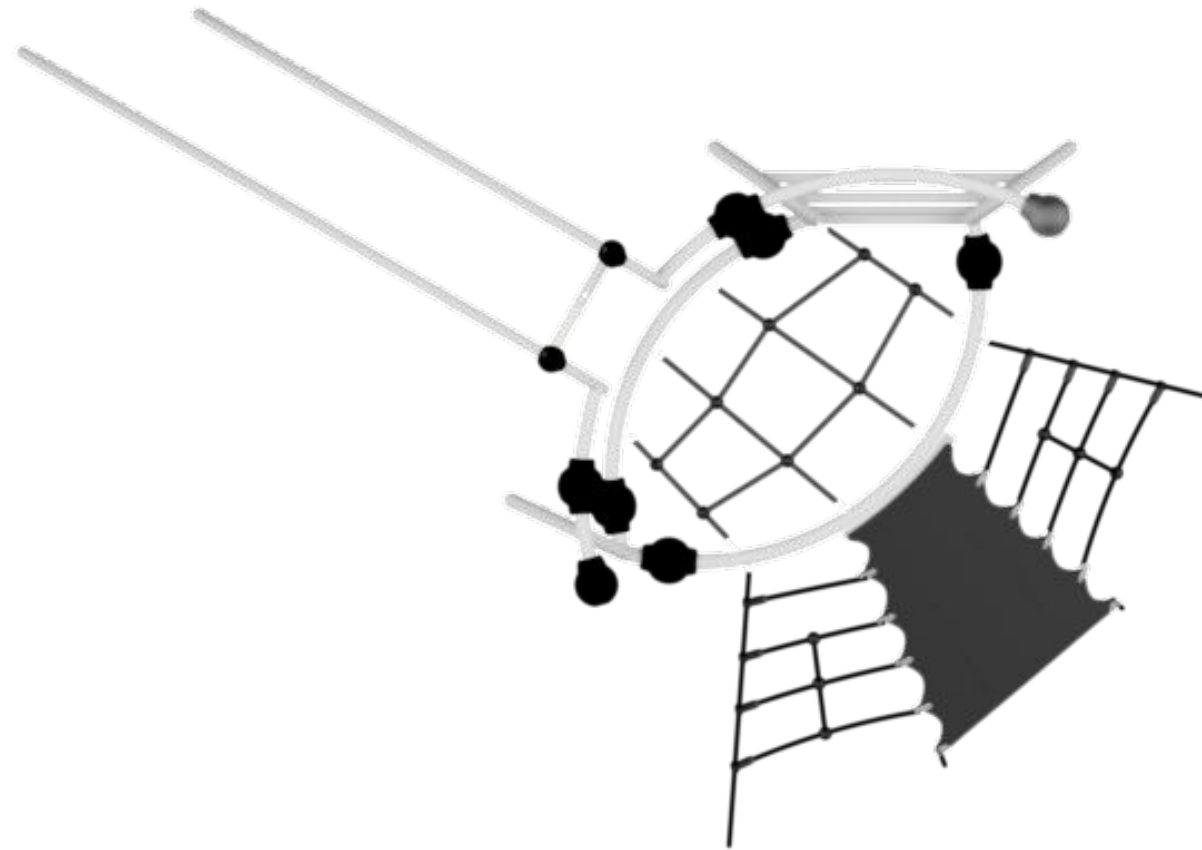
Titan Skytower 1010

MOTFP1010

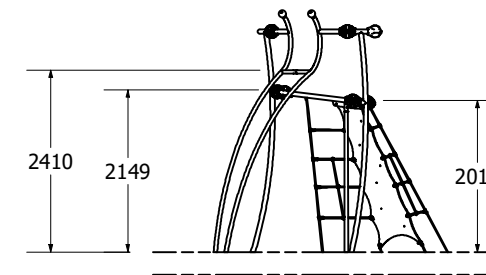
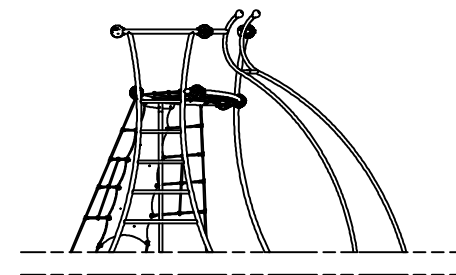
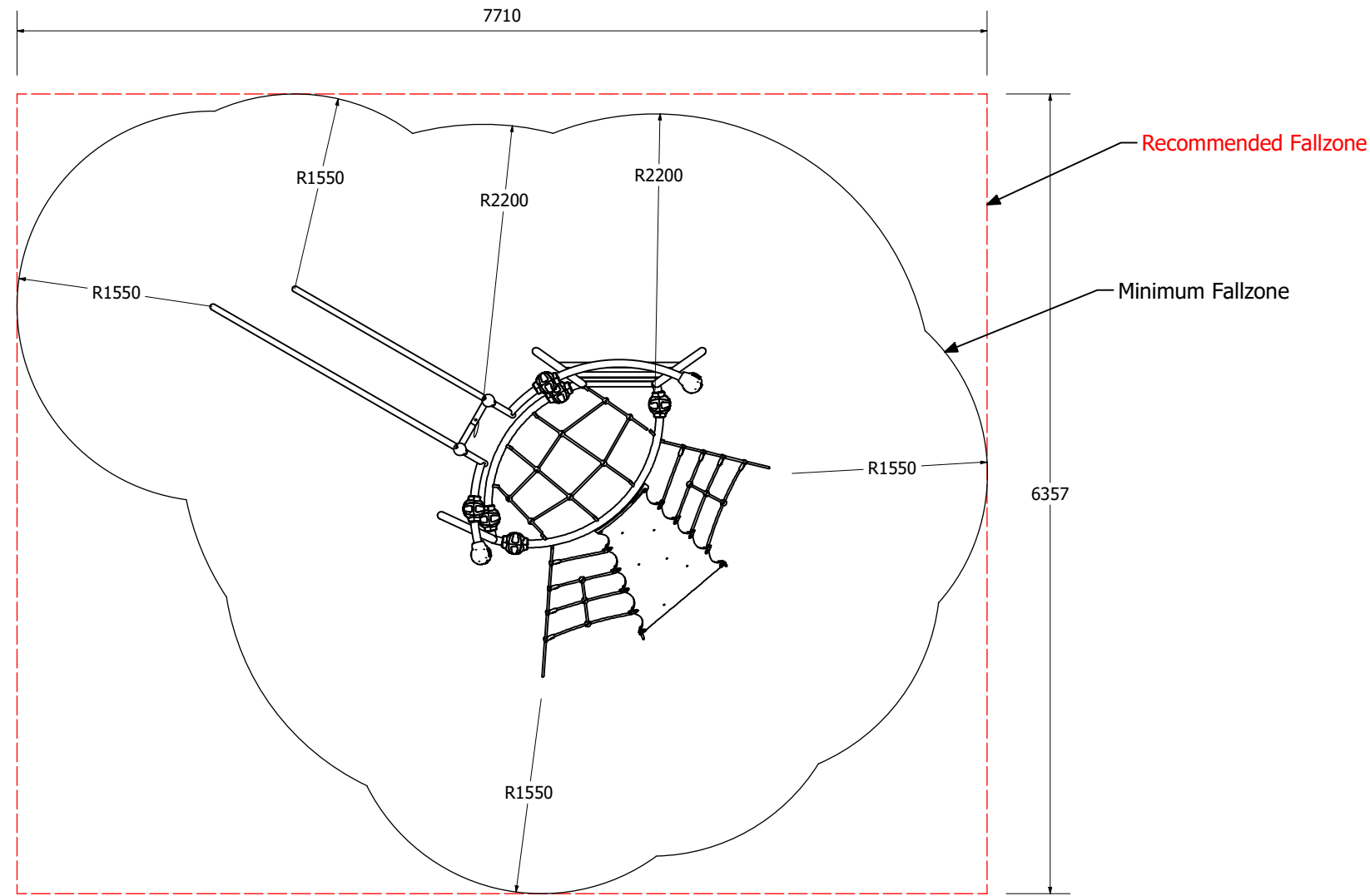


Titan Skytower 1010

MOTFP1010



MOTFP1010



Technical Information	
Main Dimension	7.71 x 6.36m
Total Area	49
Max FHO	2450
Heaviest Part	
Compliant to	NZS 5828:2015 AS 4685:(series) EN 1176:2008