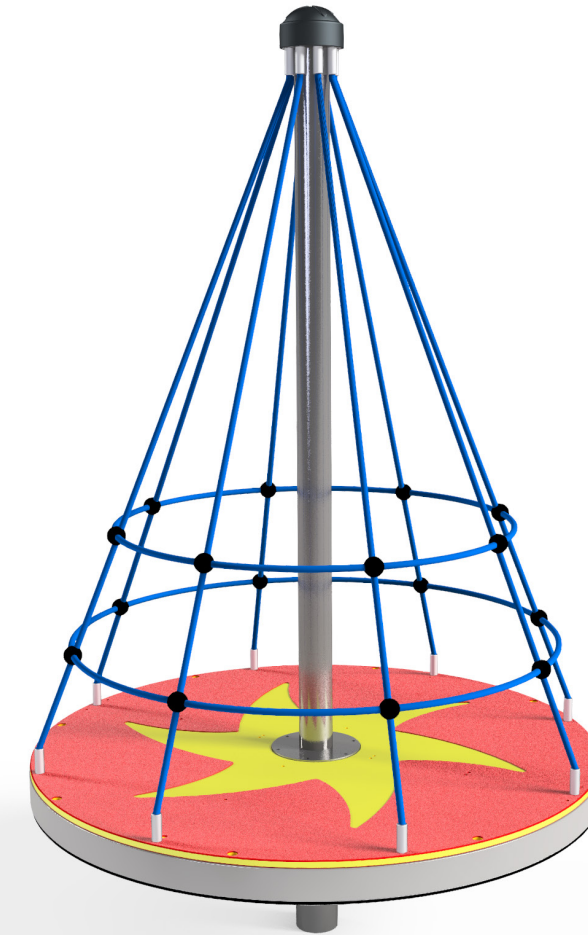
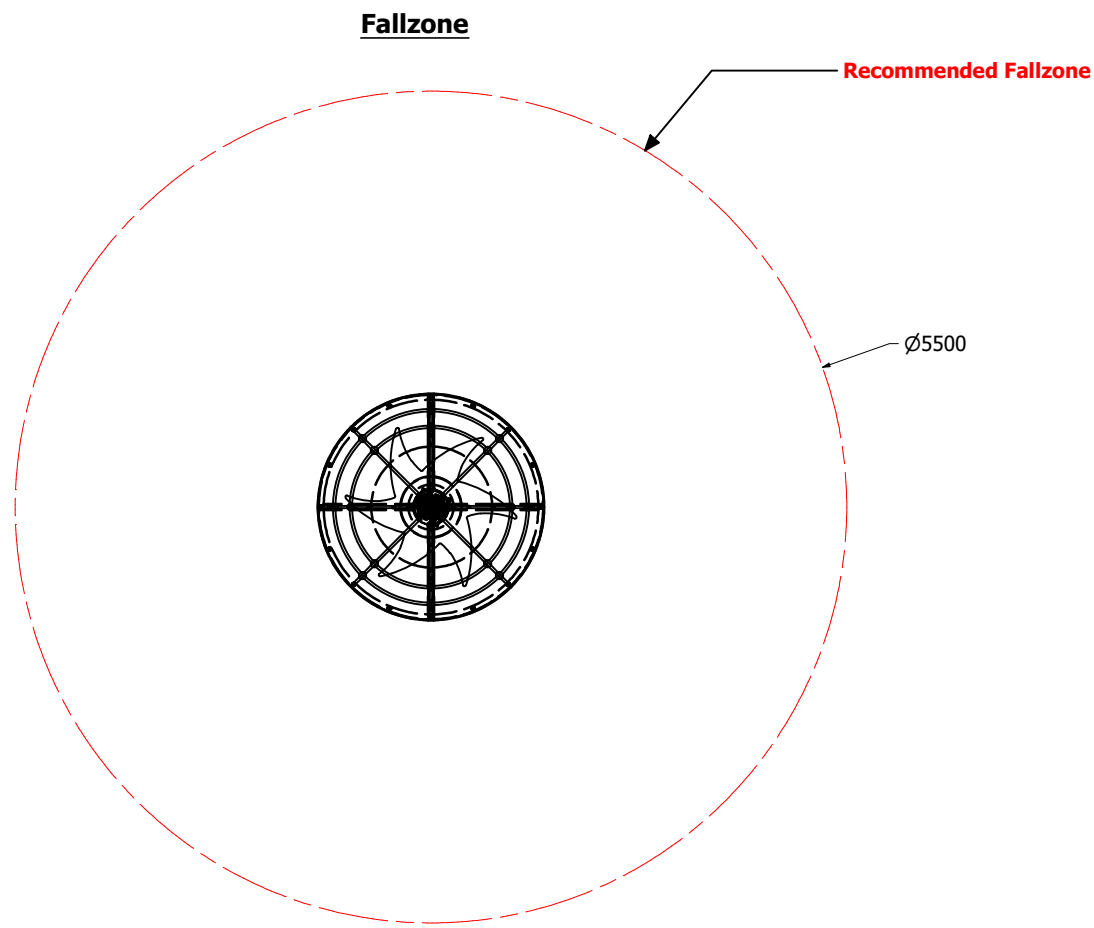
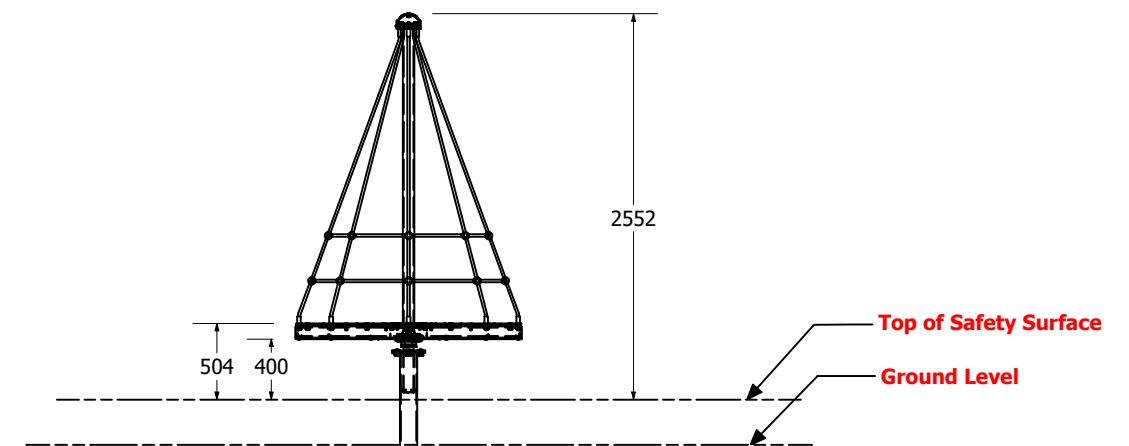


# Whirlpool Climbing Carousel

1:50 @ A3



**Front Elevation**



| Technical Information |   |
|-----------------------|---|
| Main Dimension        | 5500  |
| Total Area            | 24m <sup>2</sup>                              |
| Max FHOE              | <1m   |
| Heaviest Part         | 150kg   |
| Compliant to          | NZS 5828:2015<br>AS 4685:2017<br>EN 1176:2008 |

| REVISION HISTORY |             |            |    |
|------------------|-------------|------------|----|
| REV              | DESCRIPTION | DATE       | BY |
| 0                | Creation    | 31/01/2019 |    |