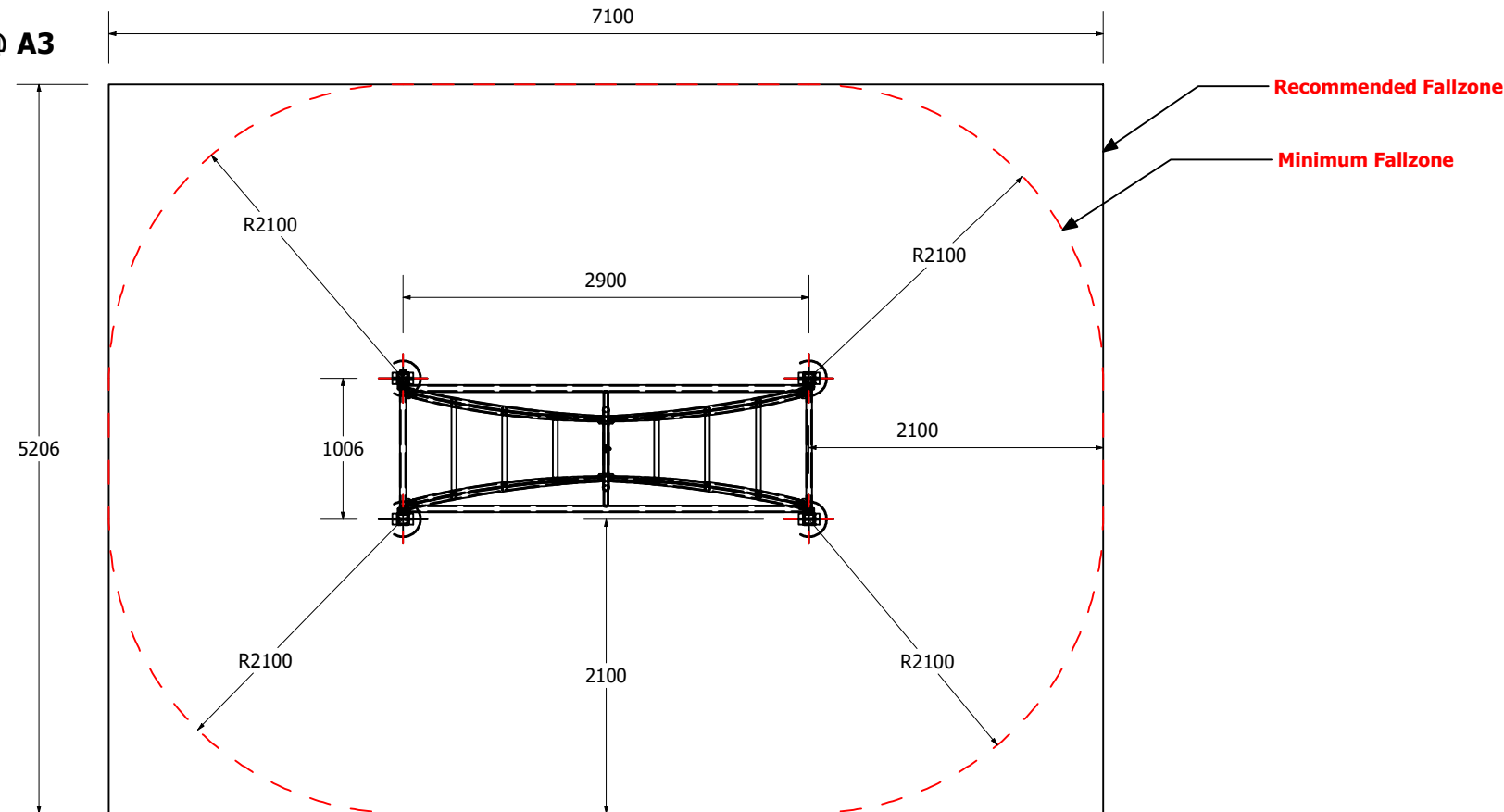


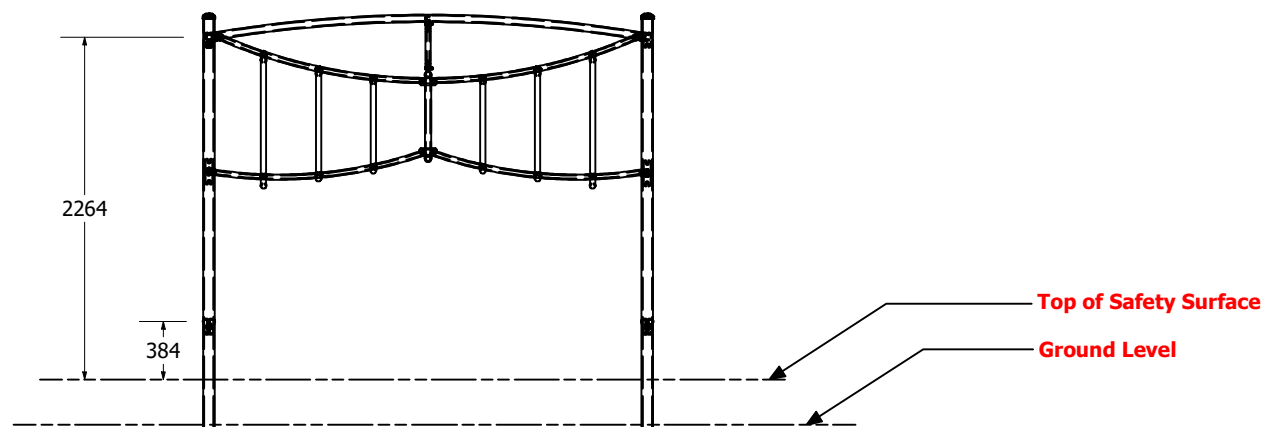
Cave Bridge Fitness Station - Metaplay

FALLZONE

1:50 @ A3



Right Elevation



Technical Information	
Main Dimension	7100 x 5206
Total Area	37m ²
Max FHO	2.3m
Heaviest Part	
Compliant to	NZS 5828:2015 AS 4685:(series) EN 1176:2008

REVISION HISTORY			
REV	DESCRIPTION	DATE	BY
0	Creation	5/07/2018	
1	Rock Holds Added	15/4/2021	HS