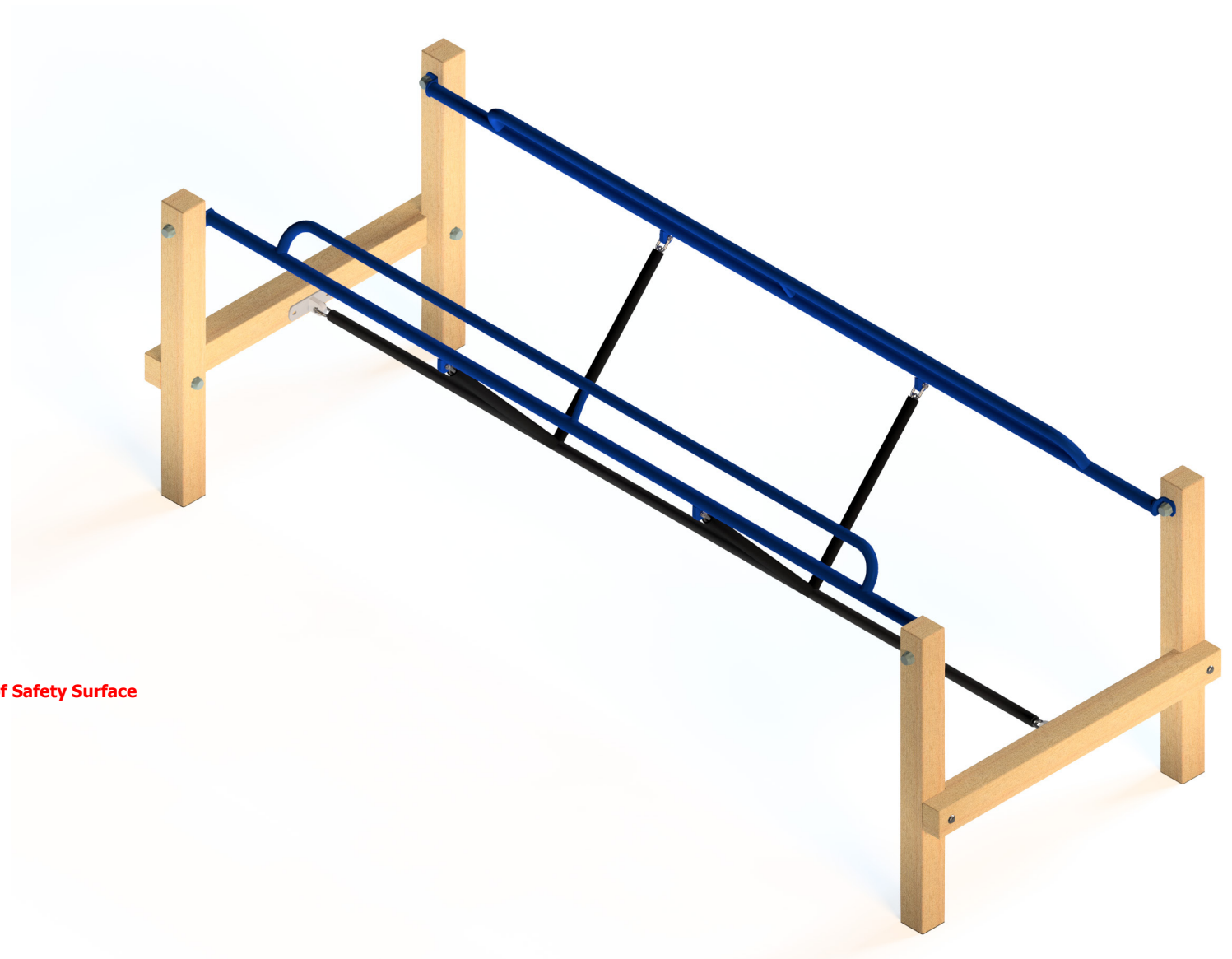
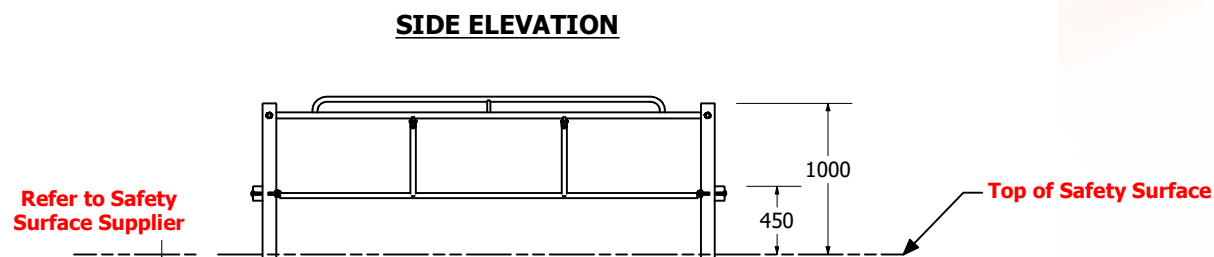
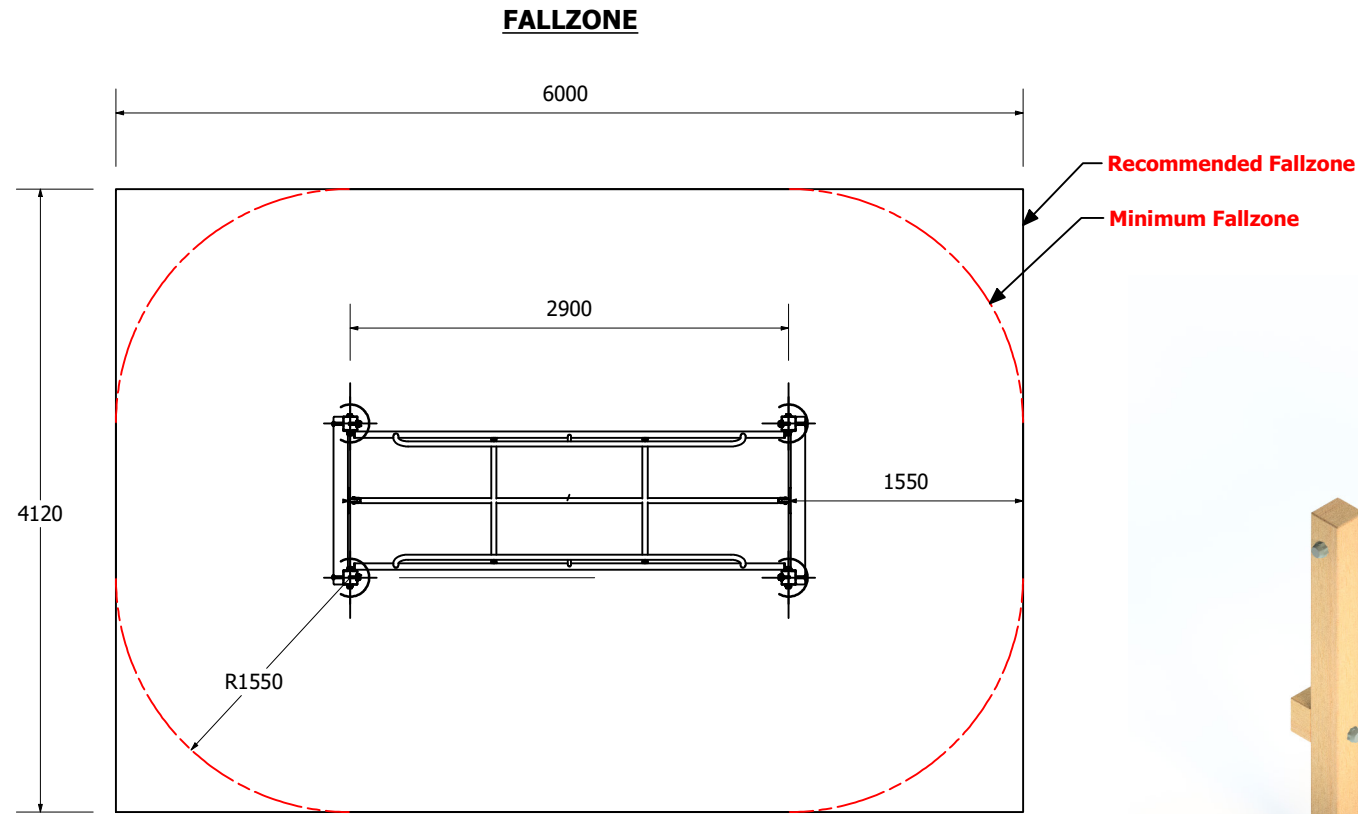


1:50 @ A3



Technical Information	
Main Dimension	6000 x 4220
Total Area	25m ²
Max FHO	600
Heaviest Part	30kg
Compliant to	NZS 5828:2015 AS 4685:2017 EN 1176:2008

REVISION HISTORY			
REV	DESCRIPTION	DATE	BY
0	Creation	30/06/2018	