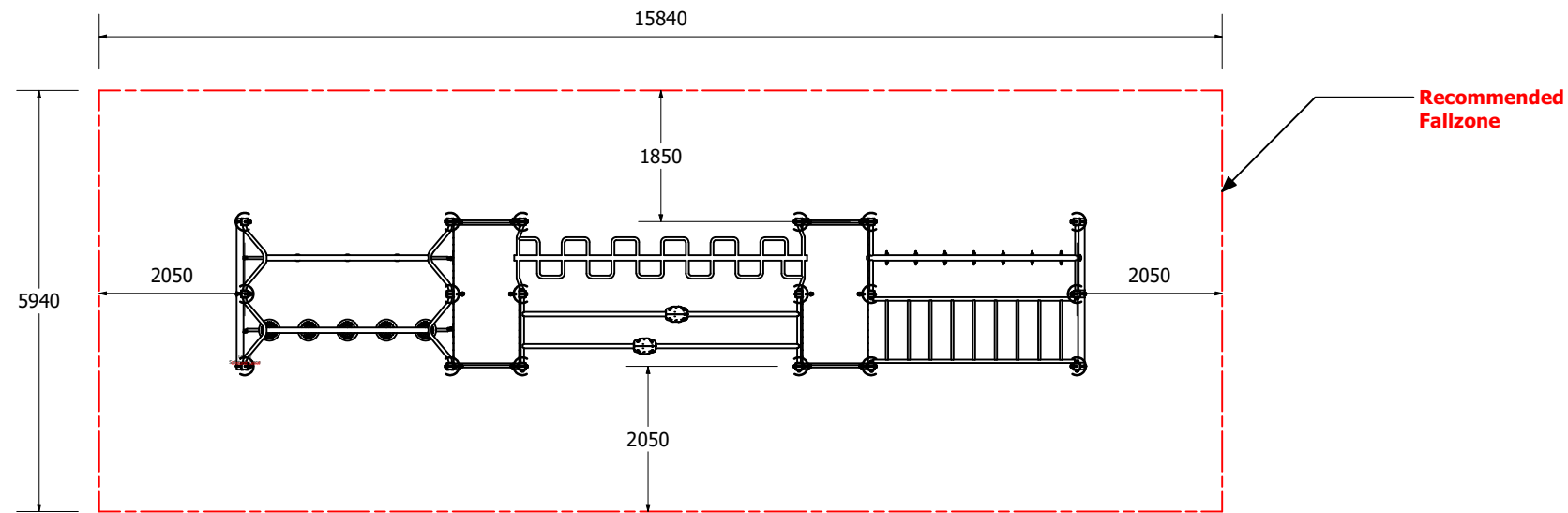
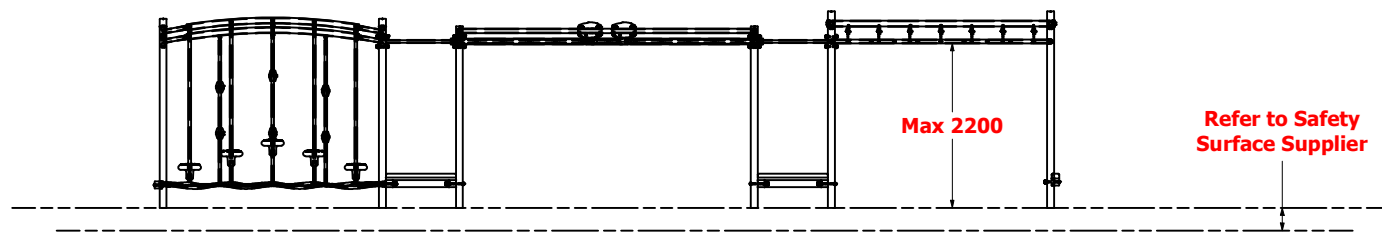


ZCORD Number

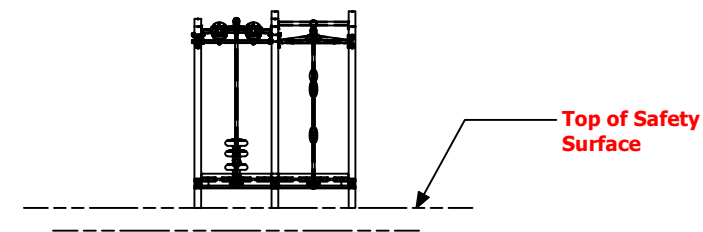
Fallzones



Front Elevation



Right Elevation



Technical Information	
Main Dimension	15840 x 5940
Total Area	95m ²
Max FHO	2200
Heaviest Part	--
Compliant to	NZS 5828:2015 AS 4685:2017 EN 1176:2008

REVISION HISTORY			
REV	DESCRIPTION	DATE	BY
0	Creation	3/12/2020	Sam