





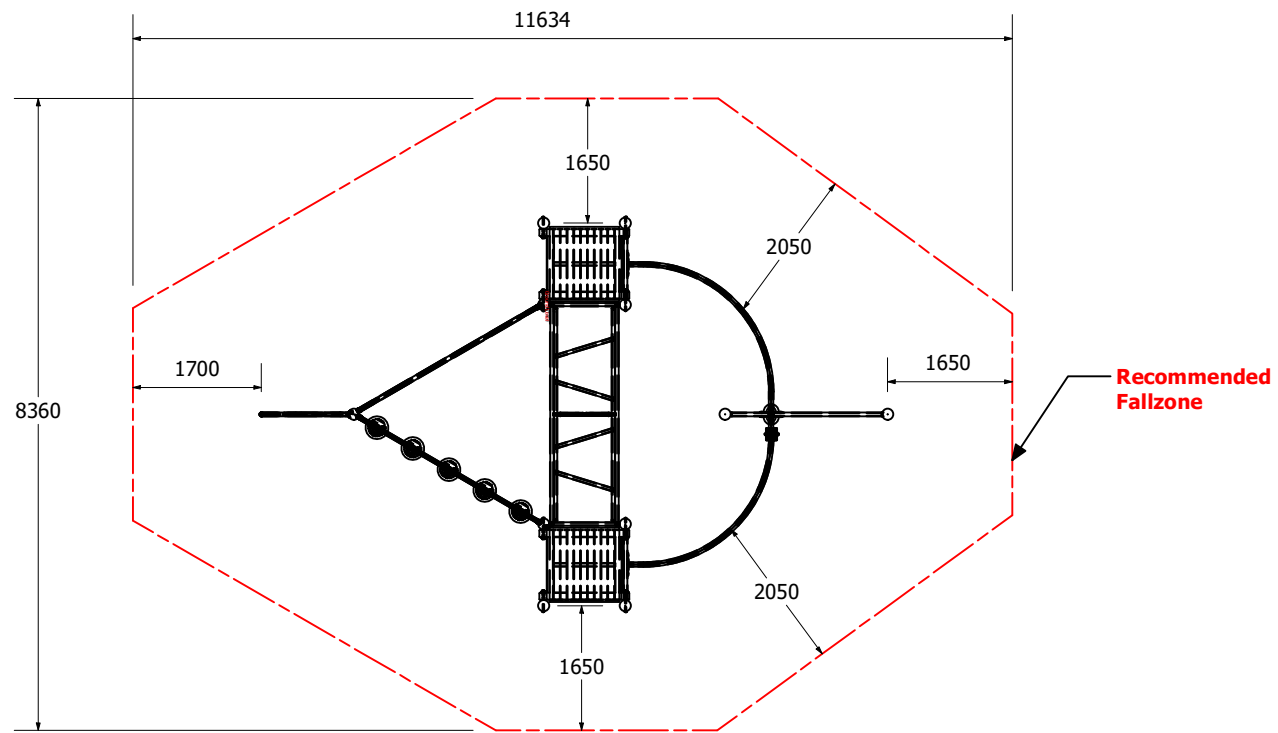
# Xtreme Fitness 554 - TP

ZCORD Number

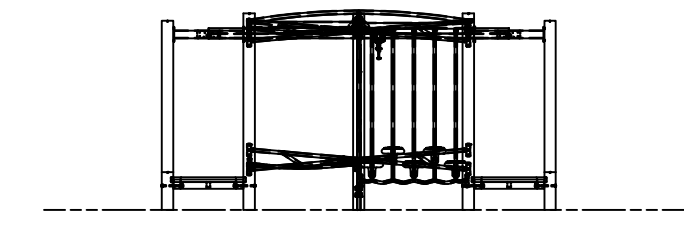
ZCORD Number

**1:100 @ A3**

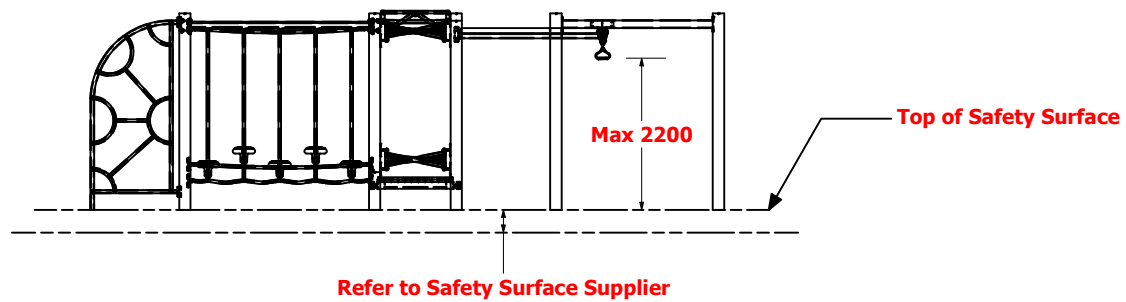
**Fallzones**



**Front Elevation**



**Right Elevation**



| Technical Information |   |
|-----------------------|---|
| Main Dimension        | 11634 x 8360                                  |
| Total Area            | 73m <sup>2</sup>                              |
| Max FHOE              | 2500  |
| Heaviest Part         | --  |
| Compliant to          | NZS 5828:2015<br>AS 4685:2017<br>EN 1176:2008 |

| REVISION HISTORY |             |            |     |
|------------------|-------------|------------|-----|
| REV              | DESCRIPTION | DATE       | BY  |
| 0                | Creation    | 11/12/2020 | Sam |