

SC - 375 1500 Double Slide Module



SC - 375 1500 Double Slide Module

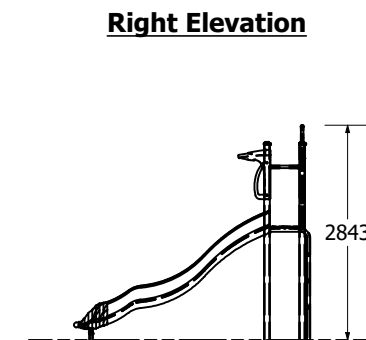
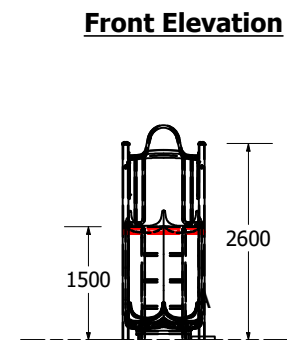
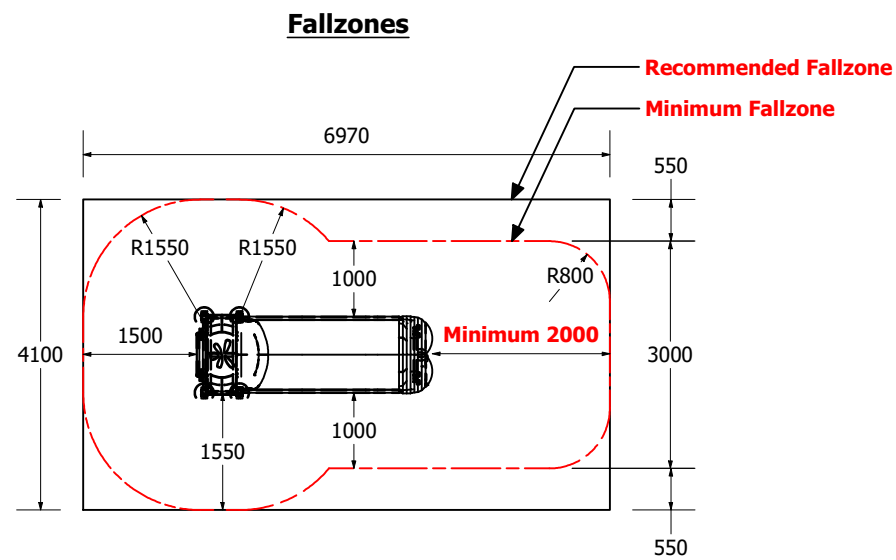


SC - 375 1500 Double Slide Module



SC - 375 1500 Double Slide Module

1:100 @ A3



Technical Information	
Main Dimension	6970 x 4100
Total Area	29m ²
Max FHO	1500
Heaviest Part	--
Compliant to	NZS 5828:2015 AS 4685:2017 EN 1176:2008

REVISION HISTORY			
REV	DESCRIPTION	DATE	BY
0	Creation	16/11/2018	