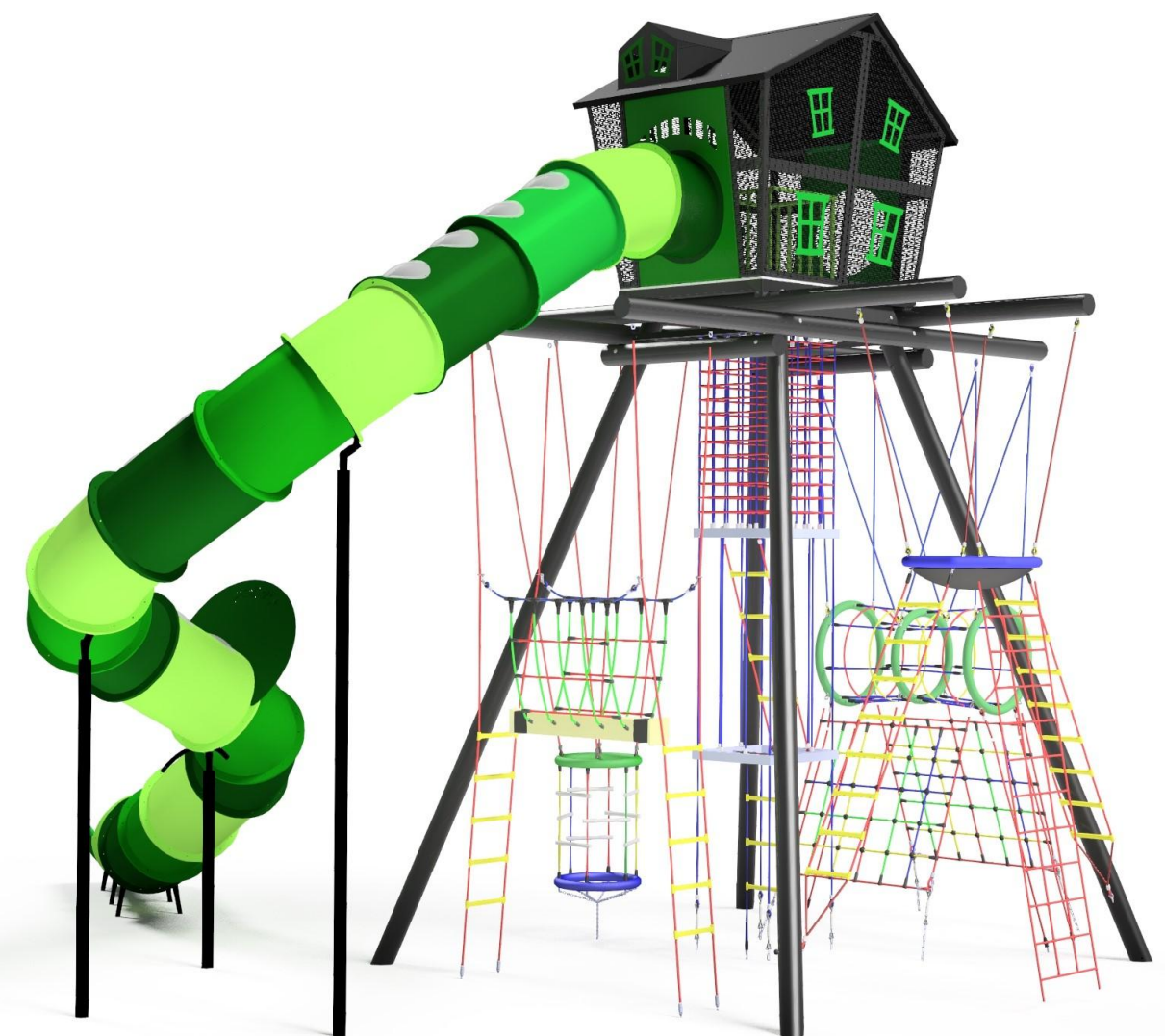
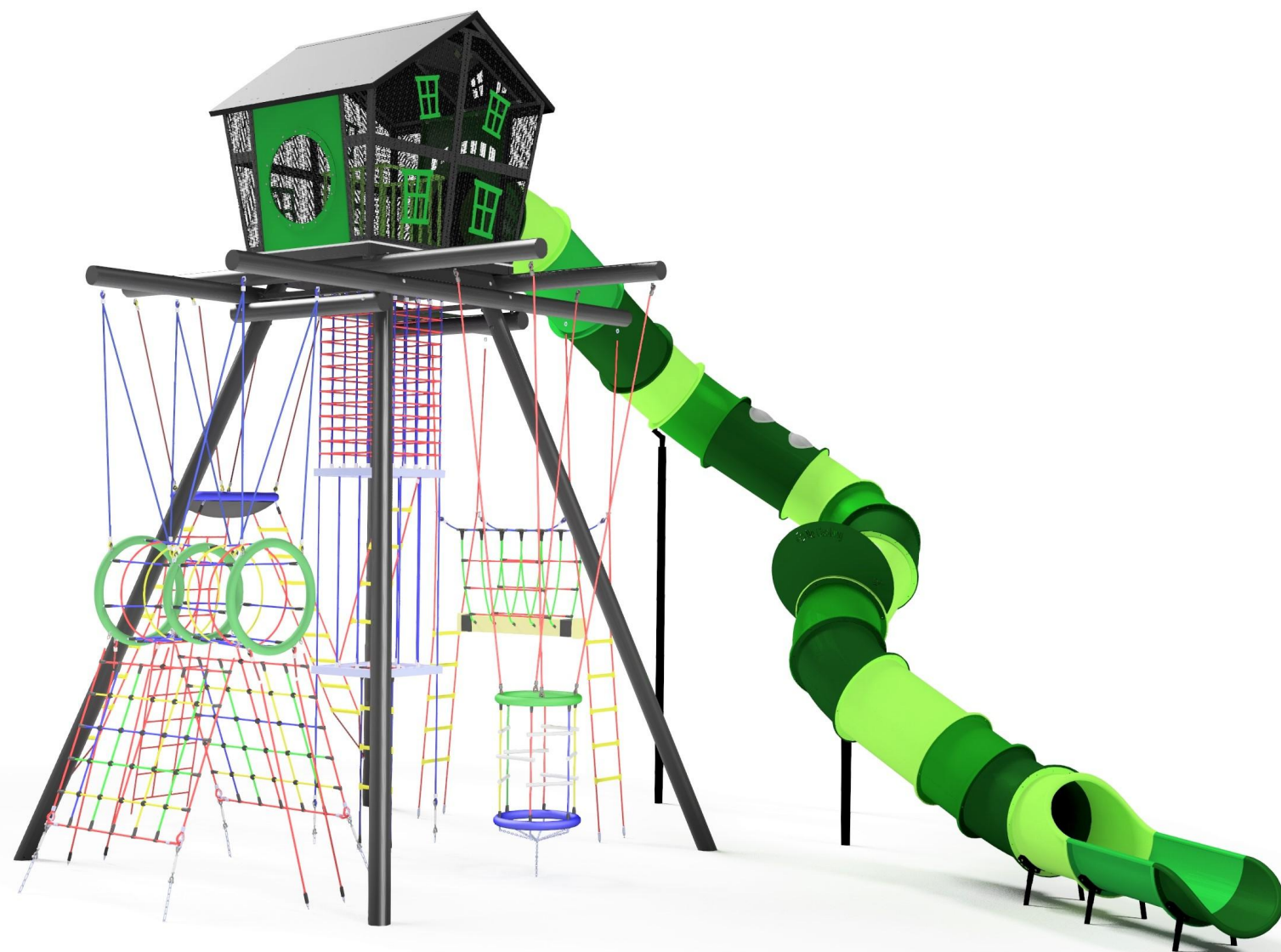
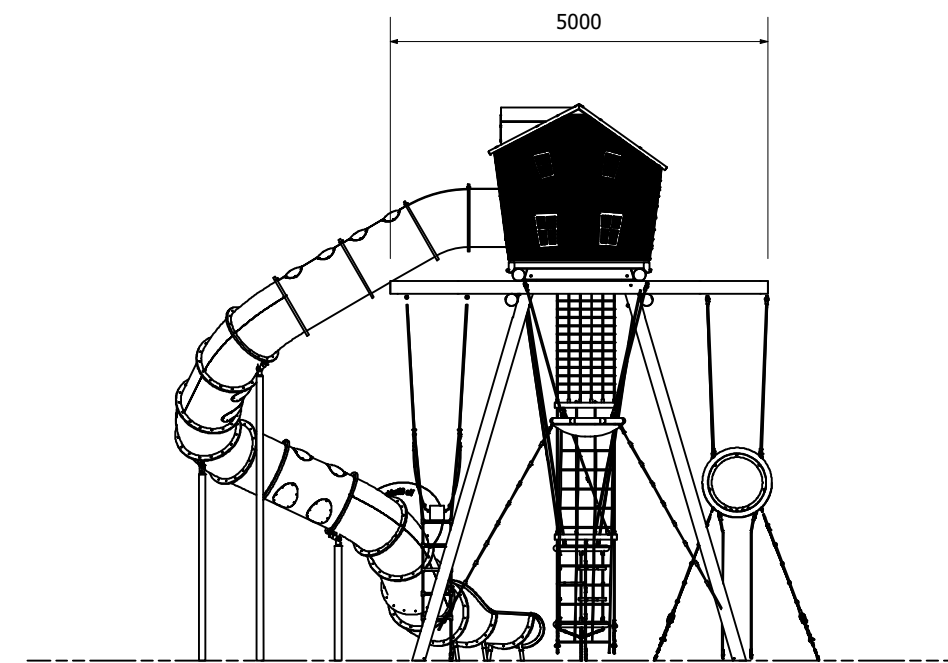
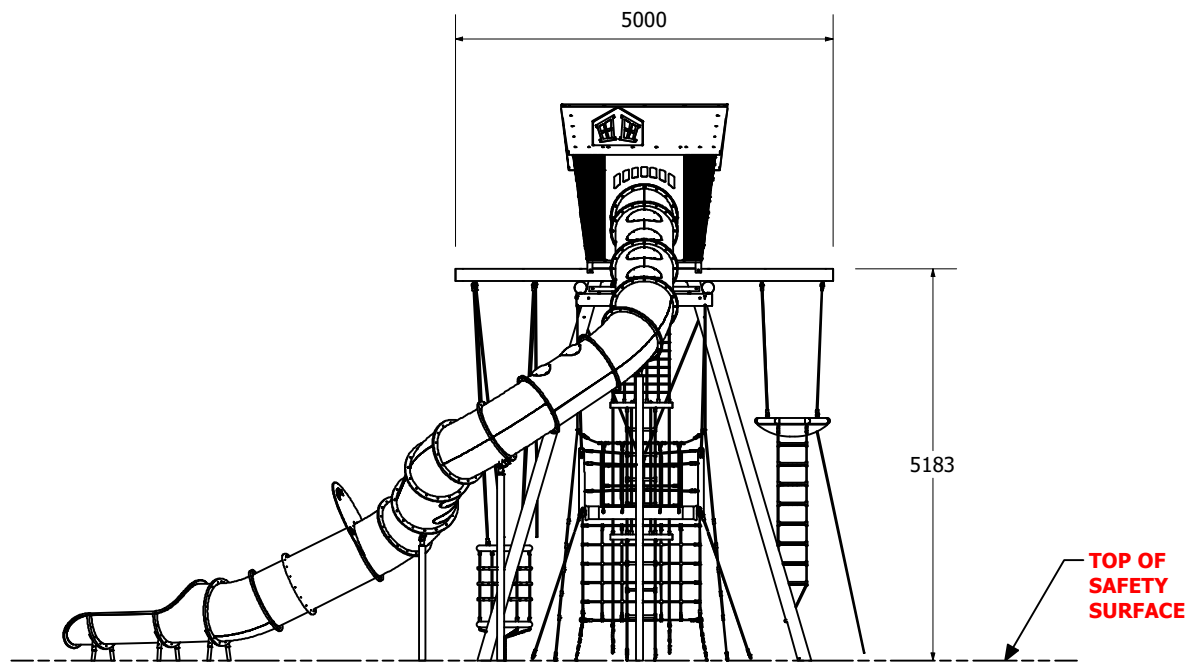
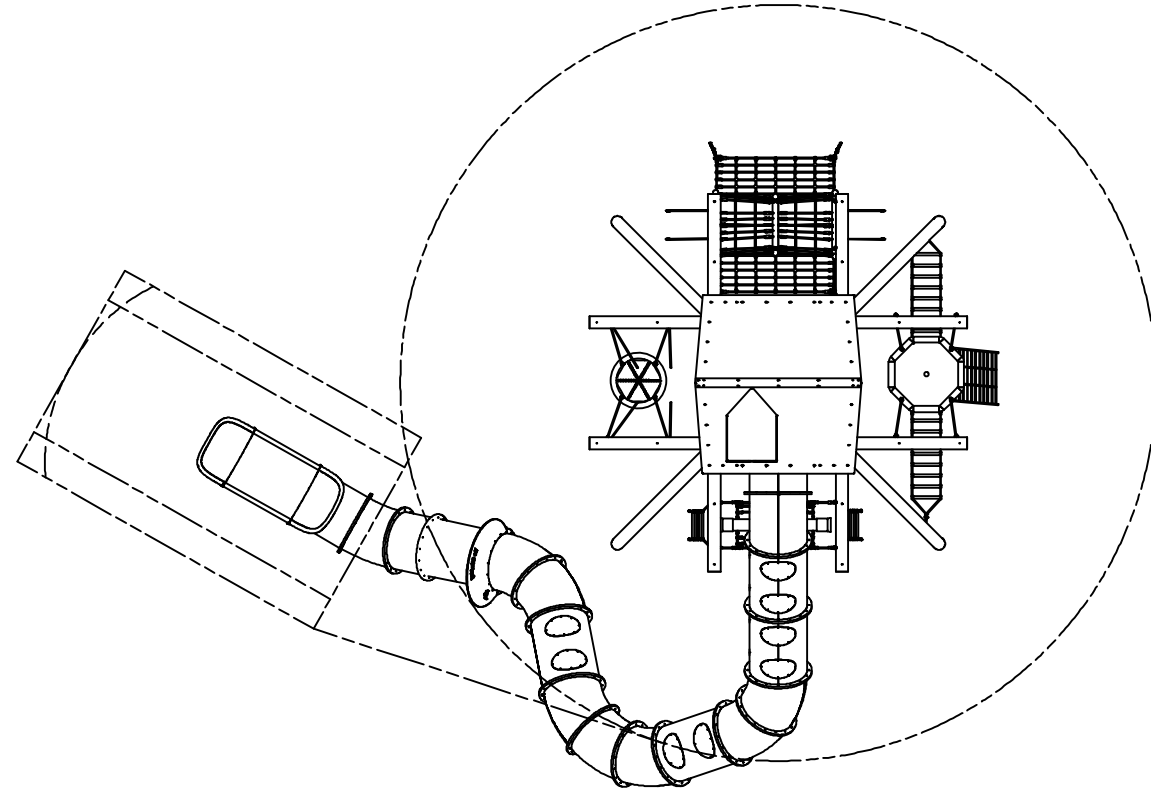


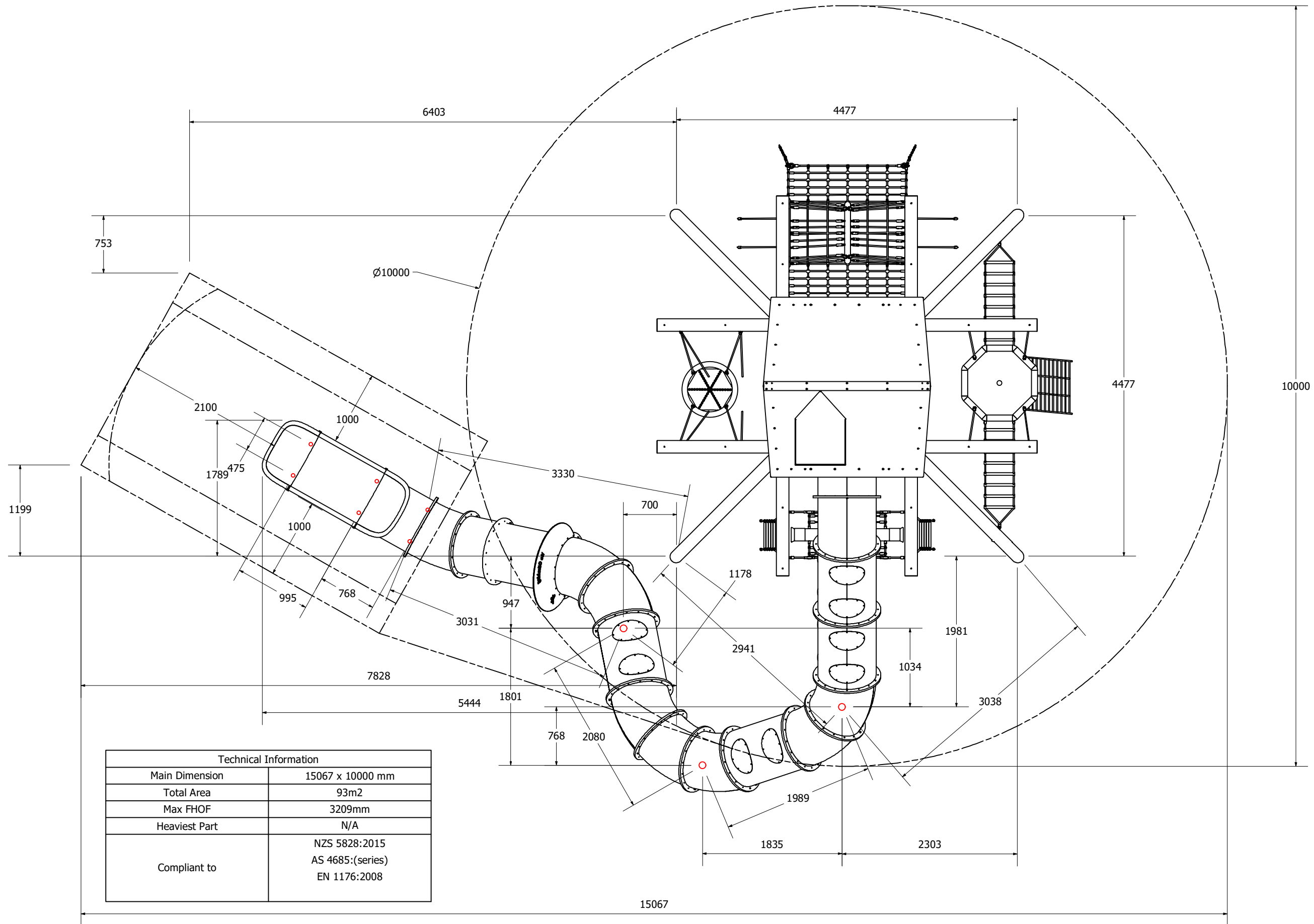
Black Forest with Cubby - CNBFTCHMP



Black Forest with Cubby - CNBFTCHMP



GROUND LEVEL DIMENSIONS



Technical Information	
Main Dimension	15067 x 10000 mm
Total Area	93m ²
Max FHO	3209mm
Heaviest Part	N/A
Compliant to	NZS 5828:2015 AS 4685:(series) EN 1176:2008