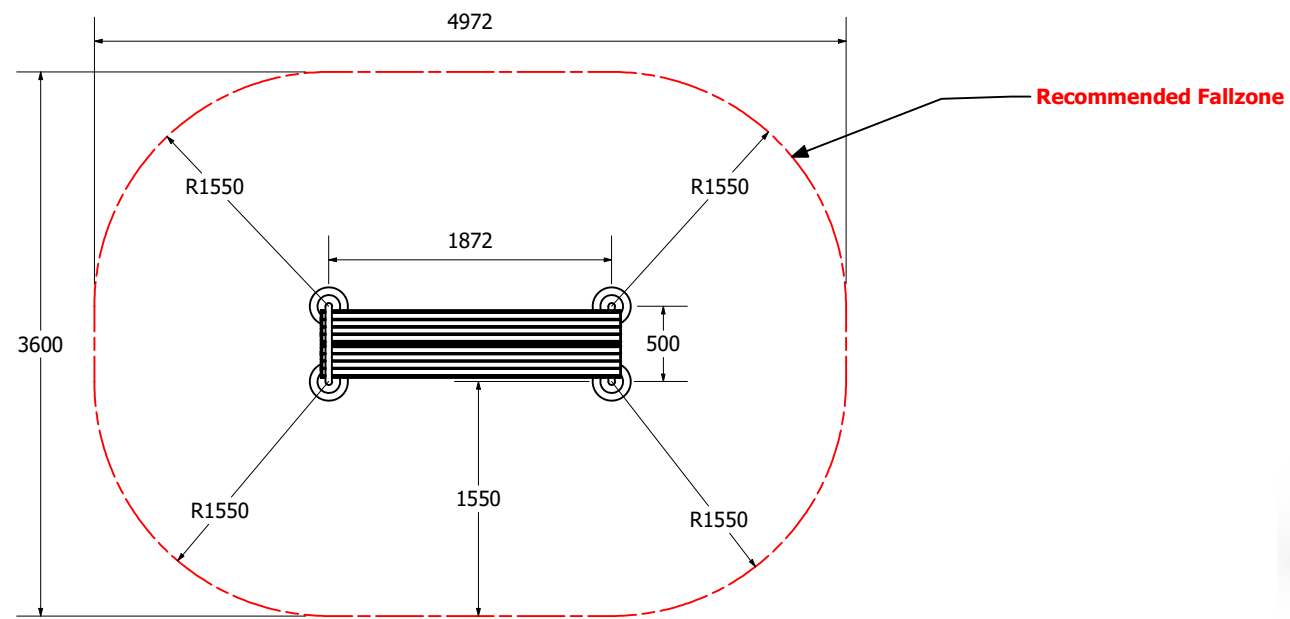


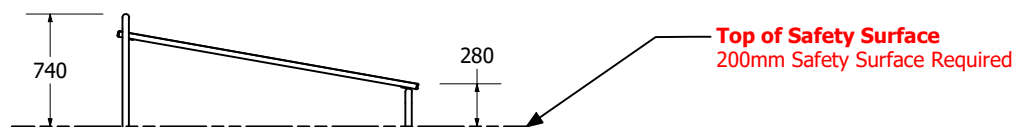
Sit-Up Bench - Steel

1:50 @ A3

FALLZONE



SIDE ELEVATION



Technical Information	
Main Dimension	4972 x 3600
Total Area	16m2
Max FHO	<1m
Heaviest Part	
Compliant to	NZS 5828:2015 AS 4685:2017 EN 1176:2008

REVISION HISTORY			
REV	DESCRIPTION	DATE	BY
0	Creation	15/11/2018	