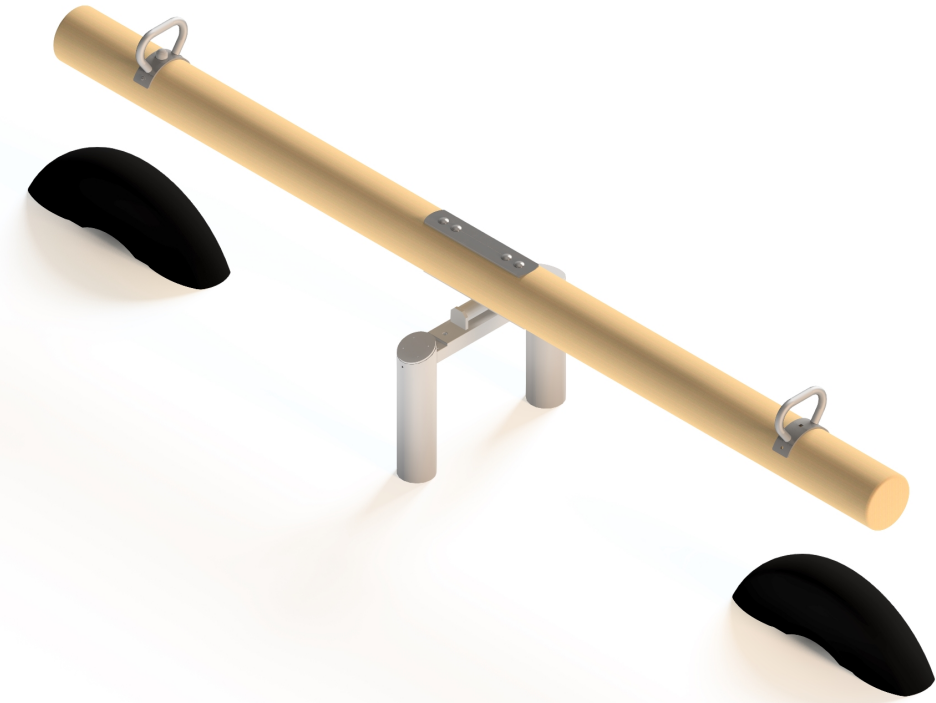
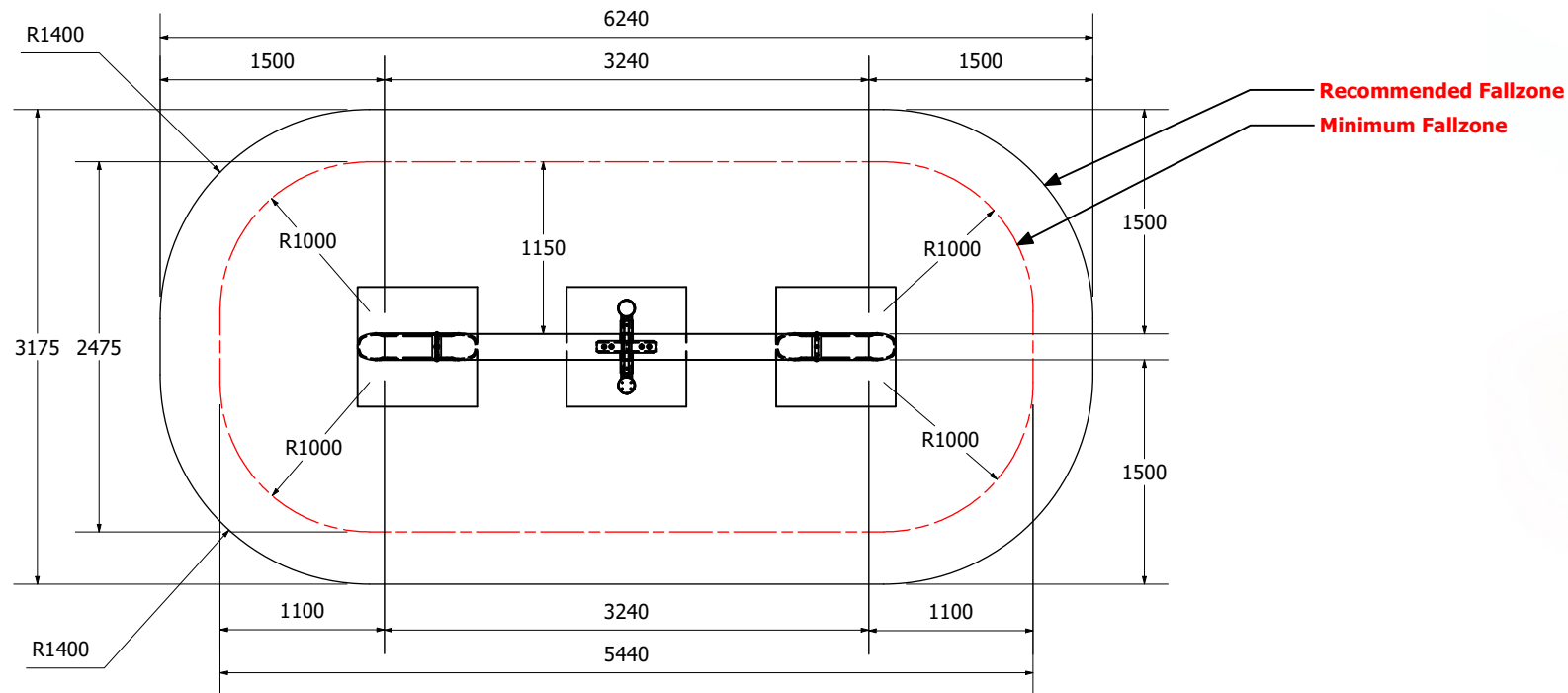


Timber See-Saw 2 Seater - Wobbly Wood

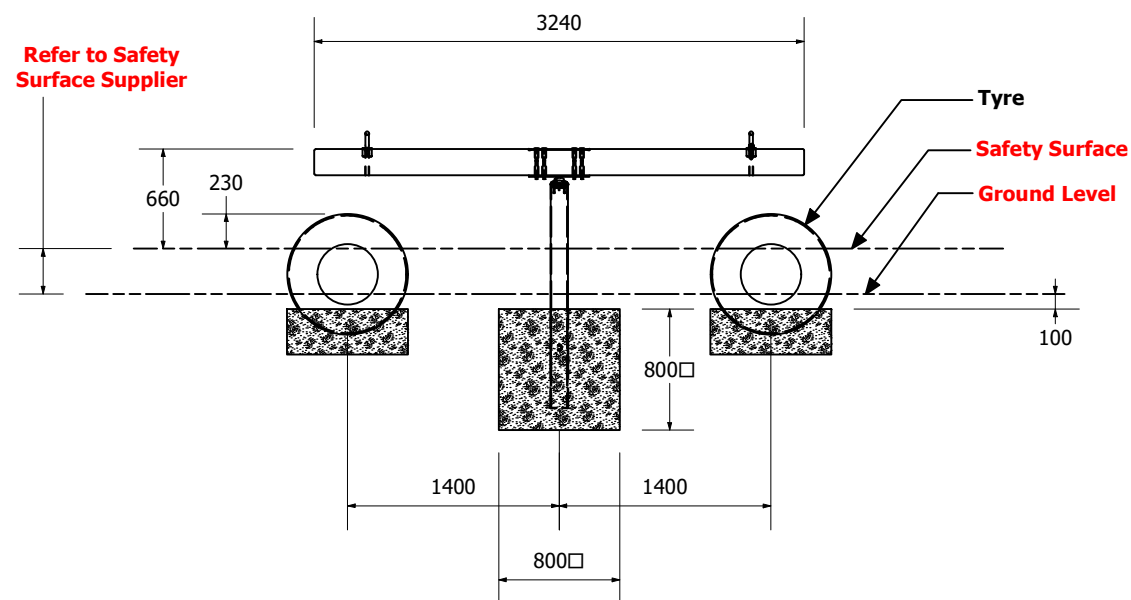
ZCORD Number

ZCORD Number
1:100 @ A3

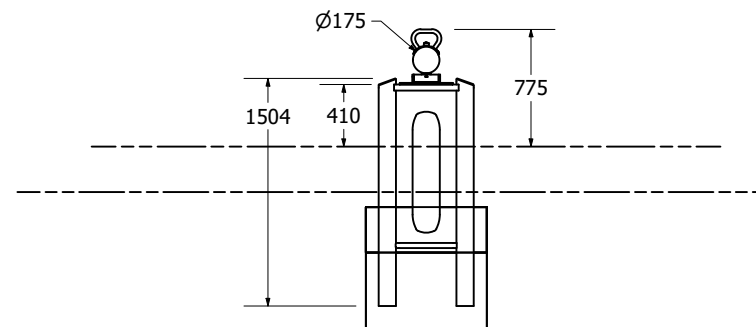
Fallzones



Right Elevation



Front Elevation



Technical Information	
Main Dimension	6240 x 3175
Total Area	19m ²
Max FHOV	1m
Heaviest Part	150kg
Compliant to	NZS 5828:2015 AS 4685:2017 EN 1176:2008

REVISION HISTORY			
REV	DESCRIPTION	DATE	BY
0	Creation	17/09/2020	Sam