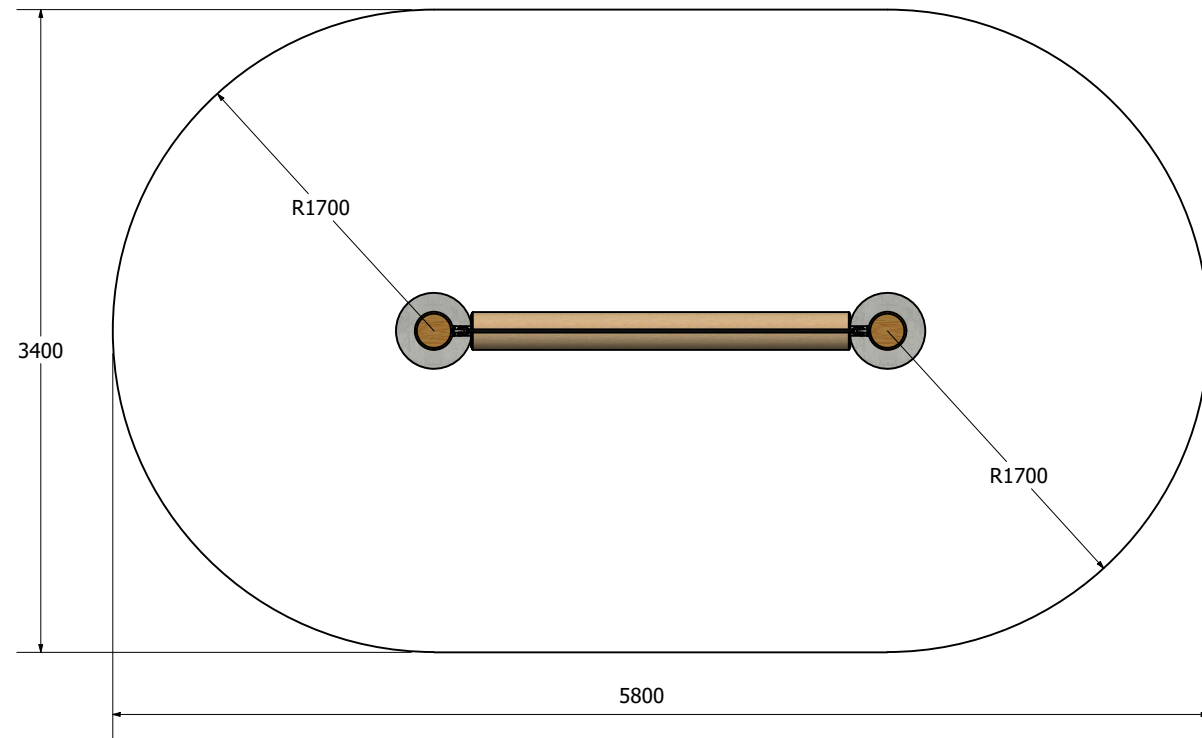


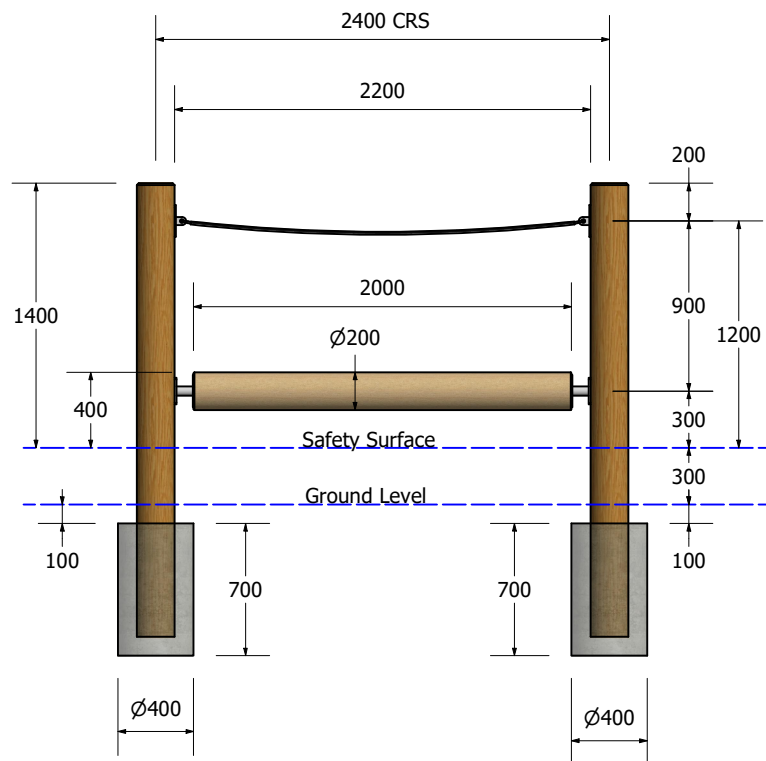
Rotating Balance Log

ZCORD Number
1:40 @ A3

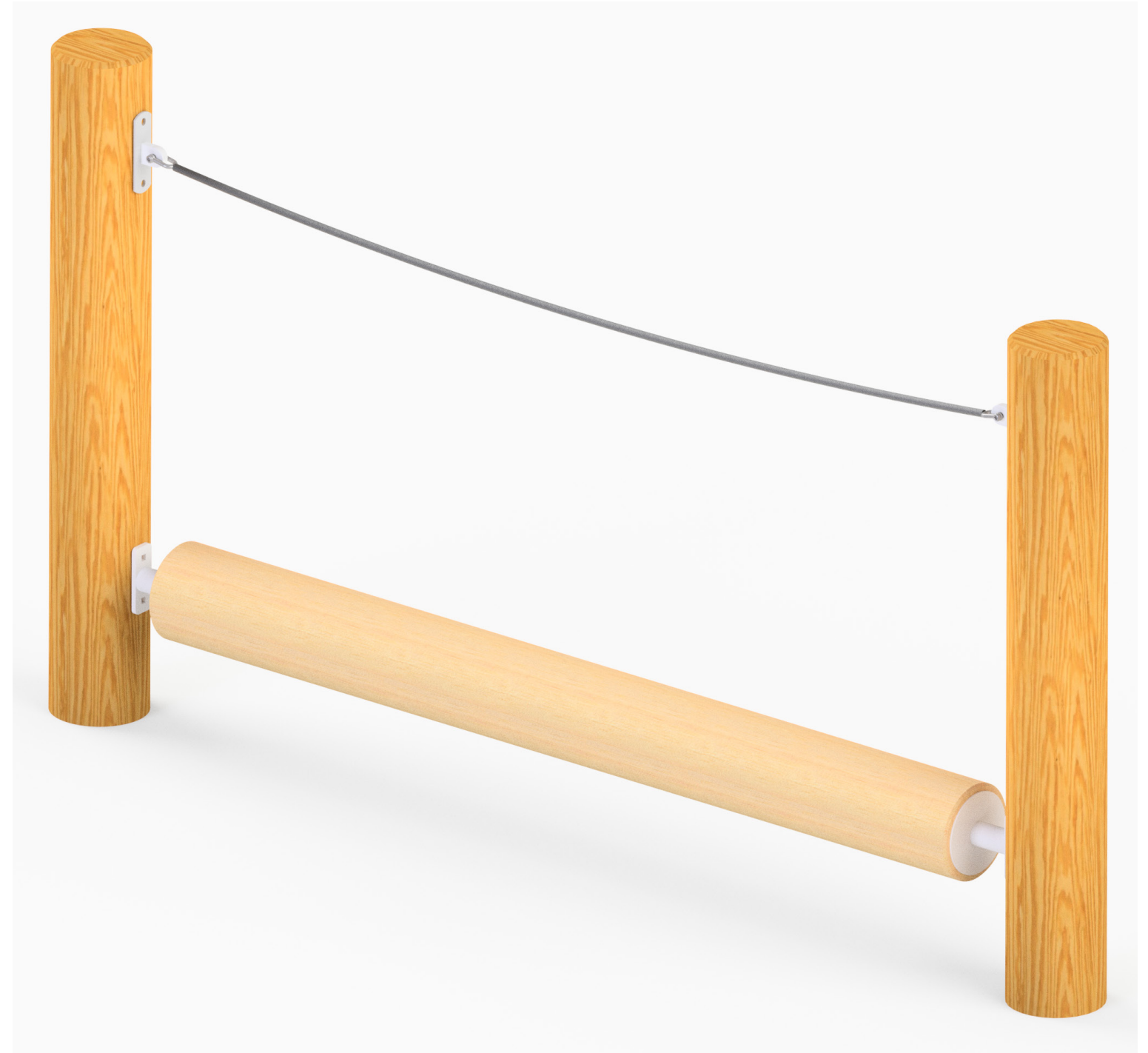
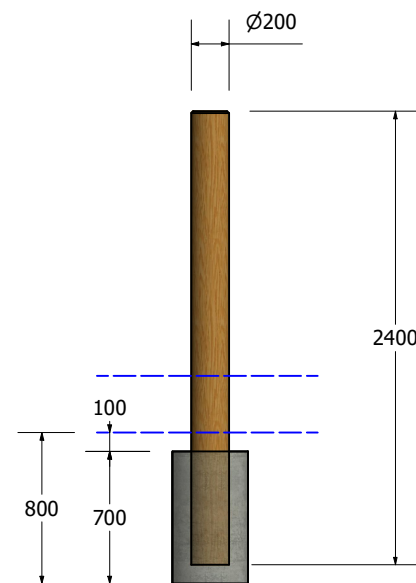
Fallzones



Front Elevation



Right Elevation



Technical Information	
Main Dimension	
Total Area	
Max FHOF	
Heaviest Part	
Compliant to	NZS 5828:2015 AS 4685:2017 EN 1176:2008

REVISION HISTORY			
REV	DESCRIPTION	DATE	BY
0	Creation	29/09/2020	