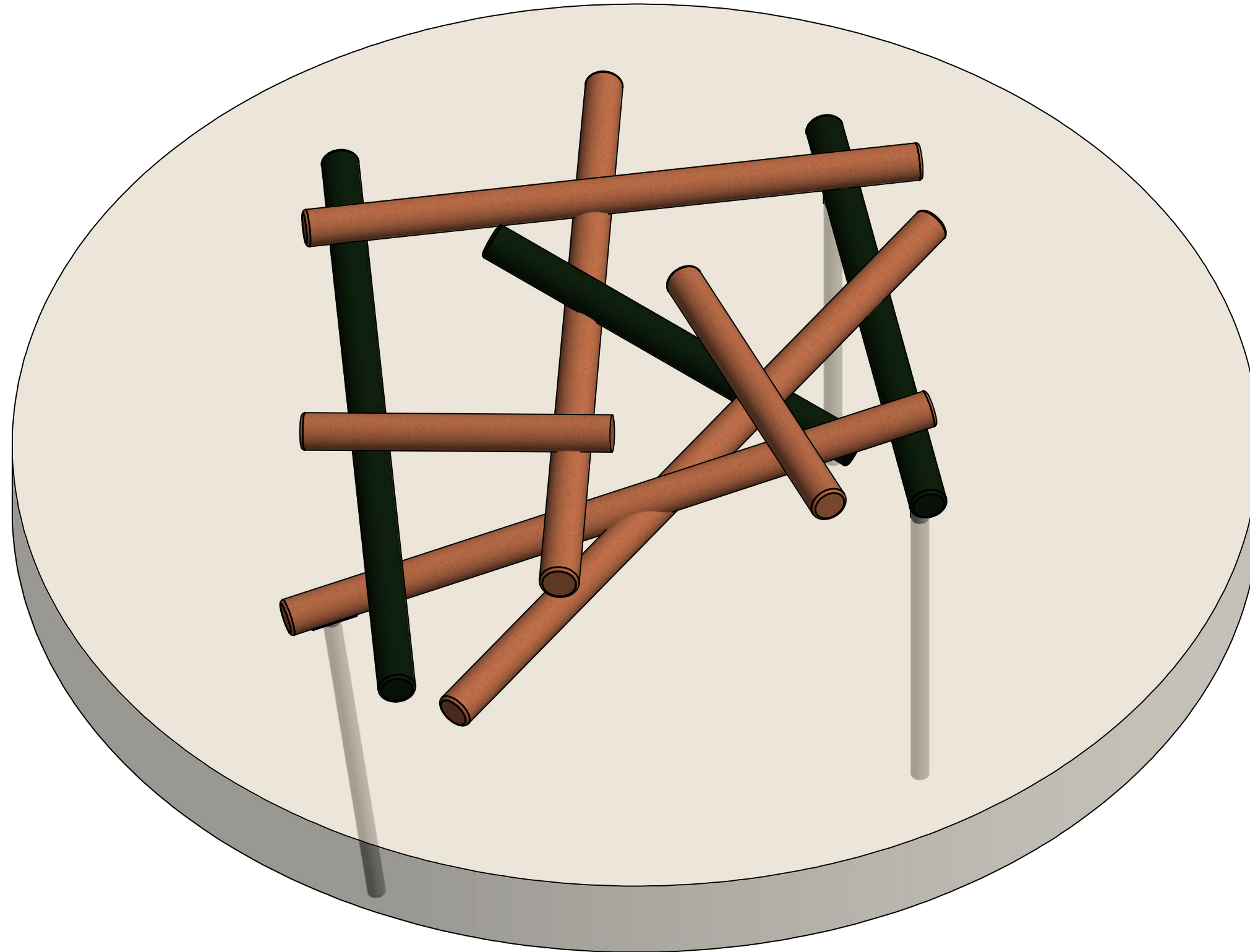


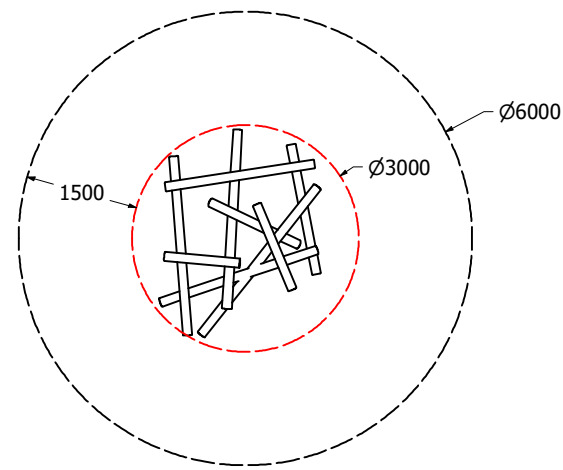
Twig Stack 354

MOTP354



Fallzones

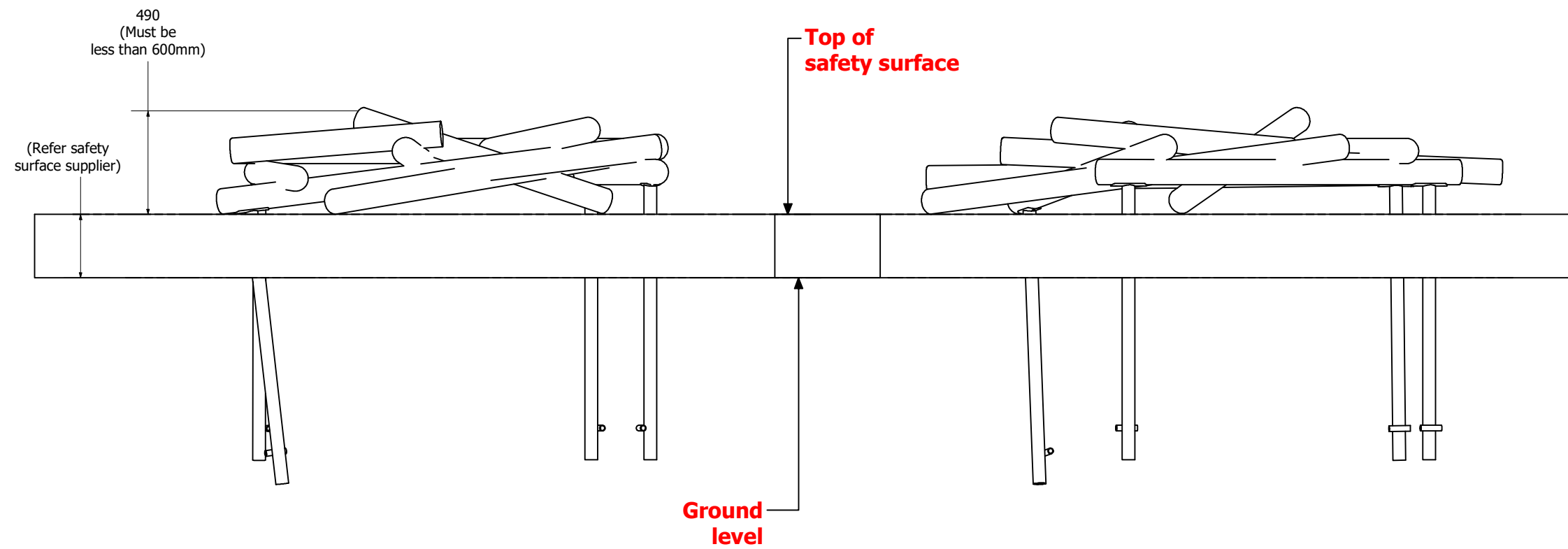
1:100 @ A3



Front Elevation

1:25 @ A3

Right Elevation



Technical Information	
Main Dimension	Ø6000mm
Total Area	28.27m ²
Max FHO	600mm
Compliant to	NZS 5828:2015 AS 4685:2017 EN 1176:2008

REVISION HISTORY			
REV	DESCRIPTION	DATE	BY
2	Creation	21/07/2020	