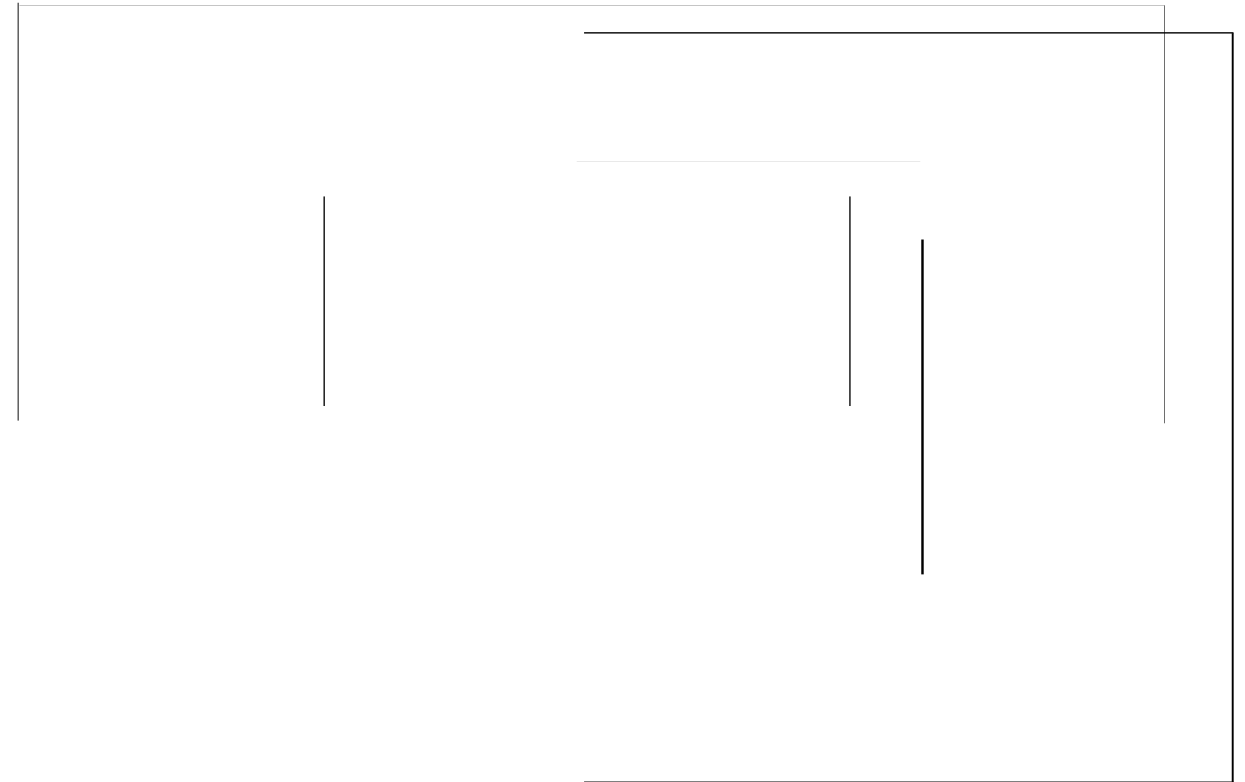






Trampoline



	
Main dimensions	Ø  m
Max FHO	 mm
Heaviest single part	 kg
Compliant	NZS 5828:2015 AS 4685:2017 EN 1176:2008

Approved: GN