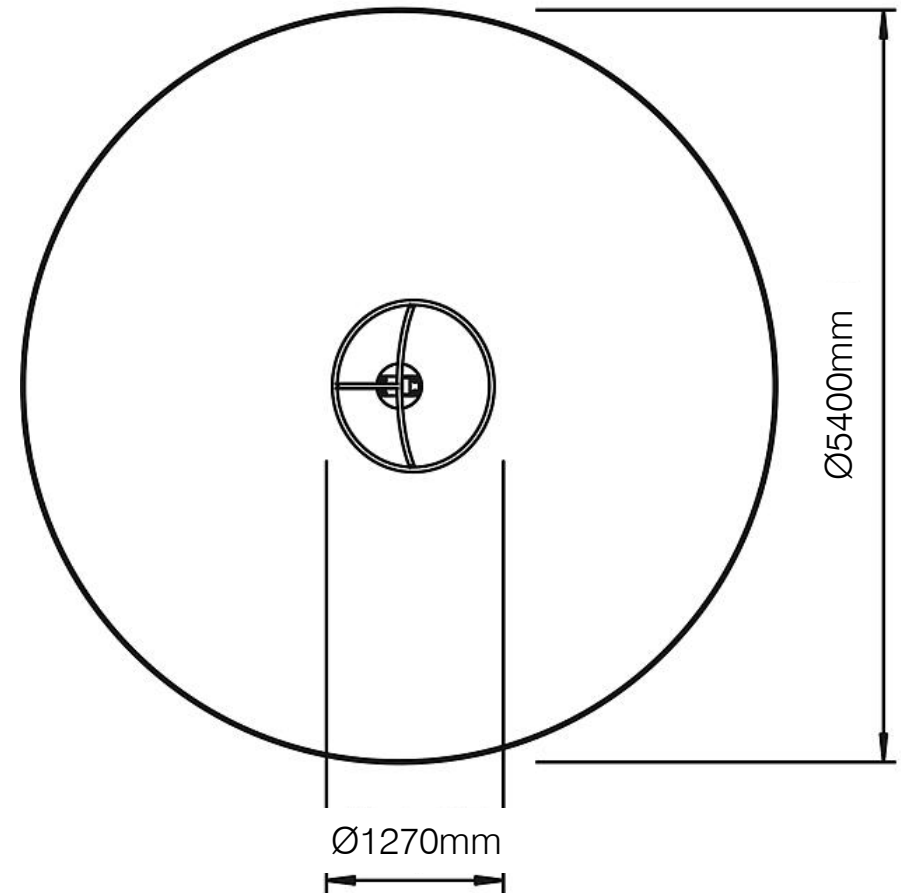
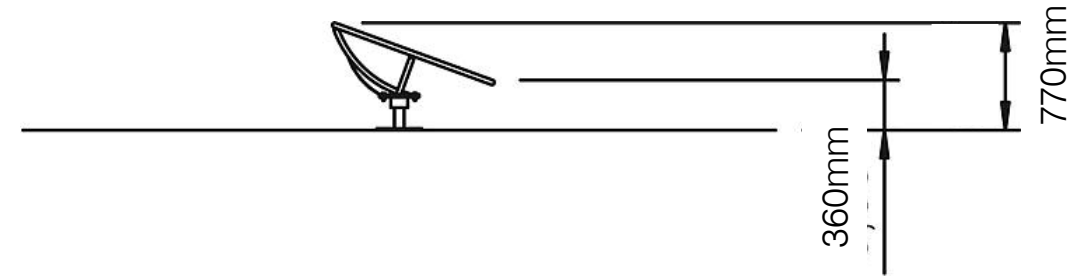
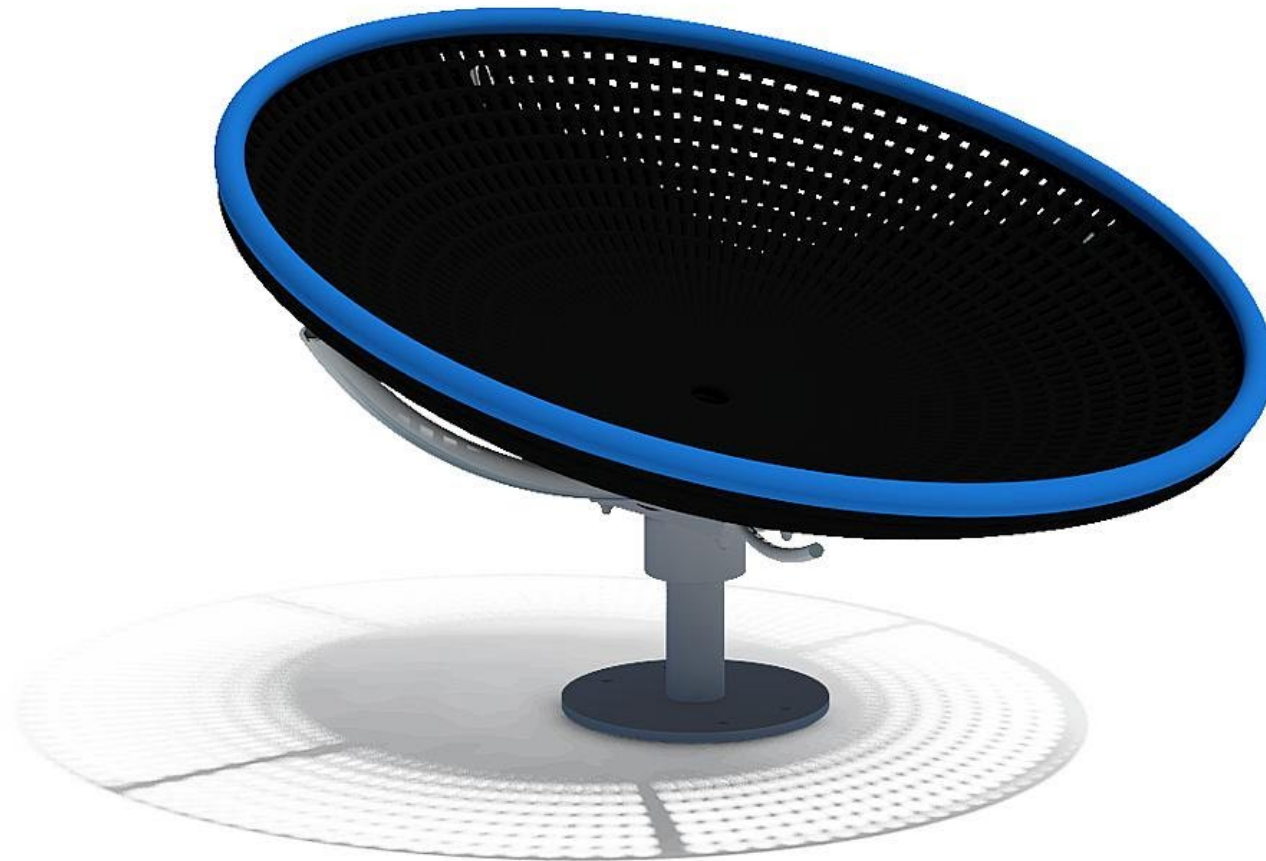


Spinning Basket

SMCASB



| Technical Information | |
|-----------------------|---|
| Space Required | Ø5400 |
| Total Area | 23m ² |
| Max FHO | 500mm |
| Compliant | NZS 5828:2015 AS 4685:2017 EN 1176:2008 |

Approved: GN