

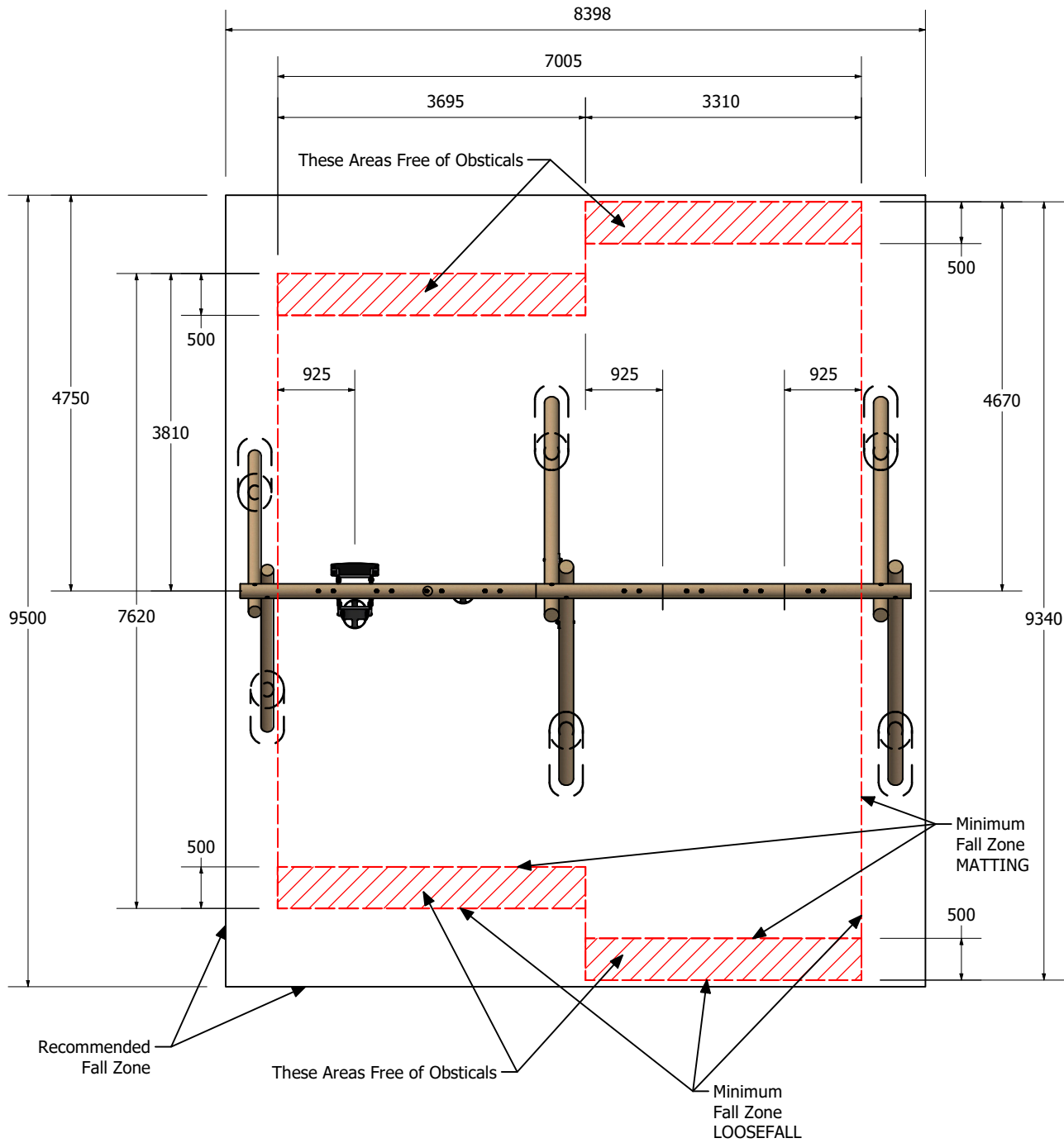
# TIMBERPLAY SWING - 4 BAY - MEGA 2VR - STD 1TWC 1EXP

SWTP4MS05

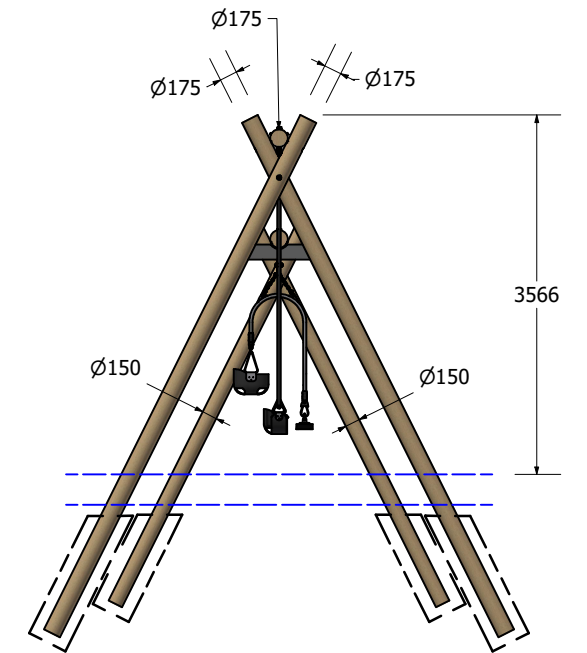
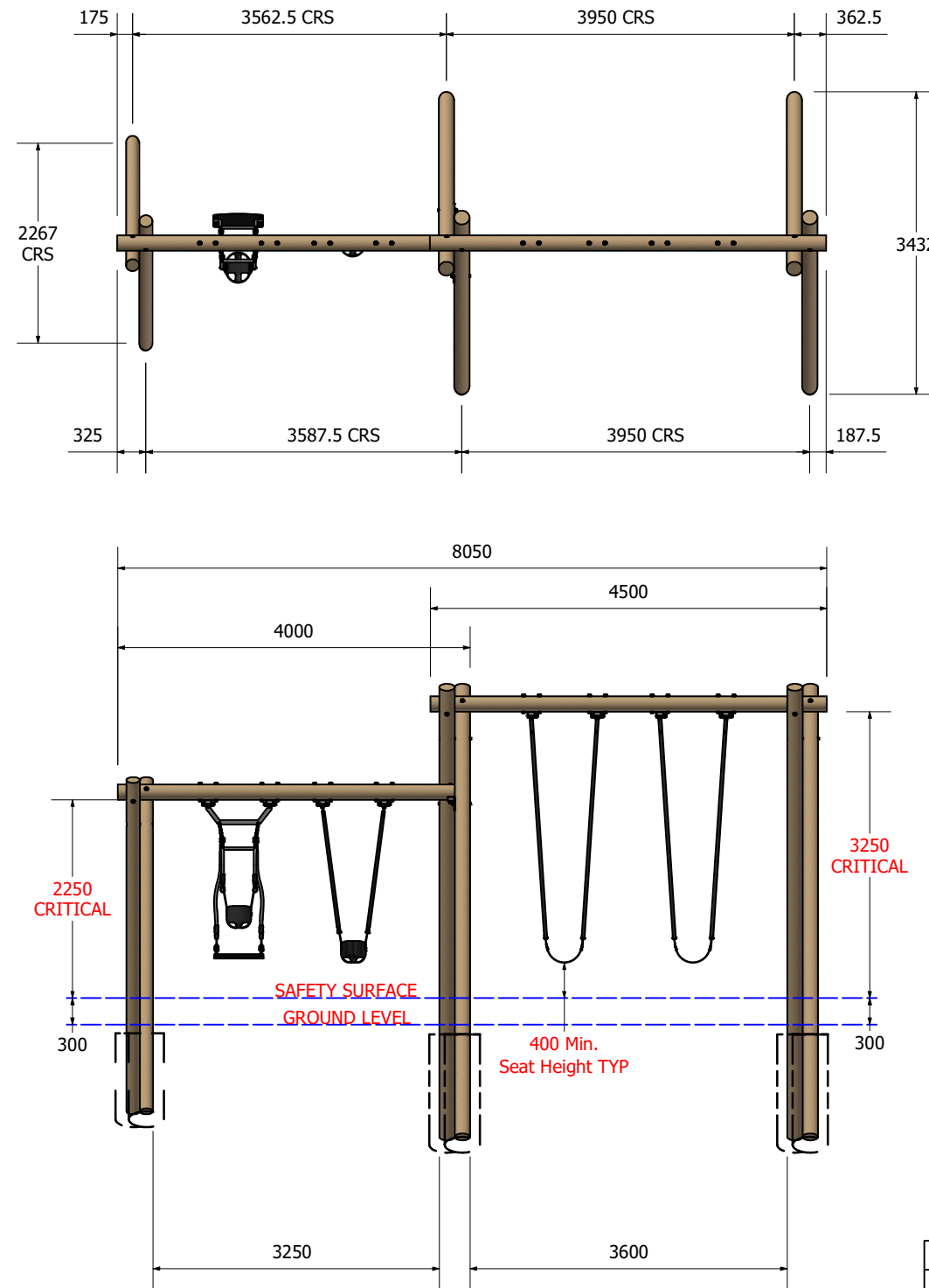


SWTP4MS05

FALL ZONE



DIMENSIONS AT GROUND LEVEL



Technical Information	
Main Dimension	9.5m x 8.4m
Total Area	80 sqm
Max FHO	1.8 m
Heaviest Part	100 kg
Compliant to	NZS 5828:2015 AS 4685:(series) EN 1176:2008