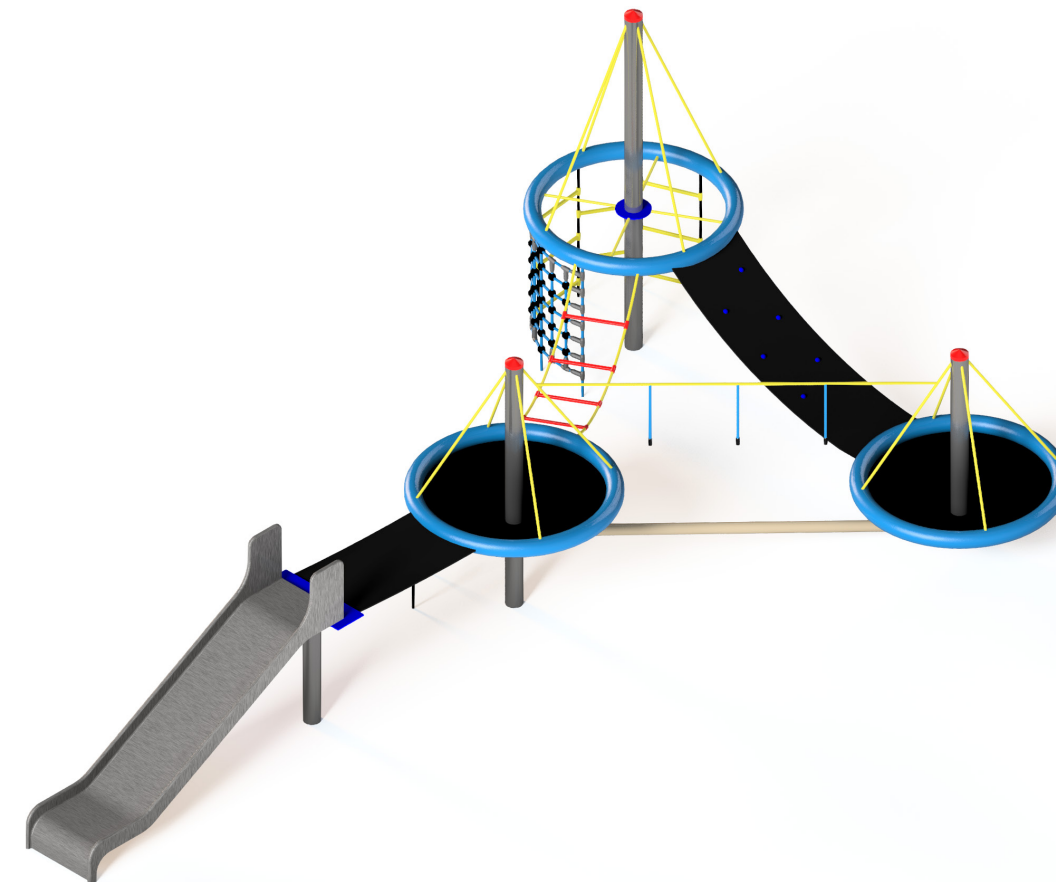
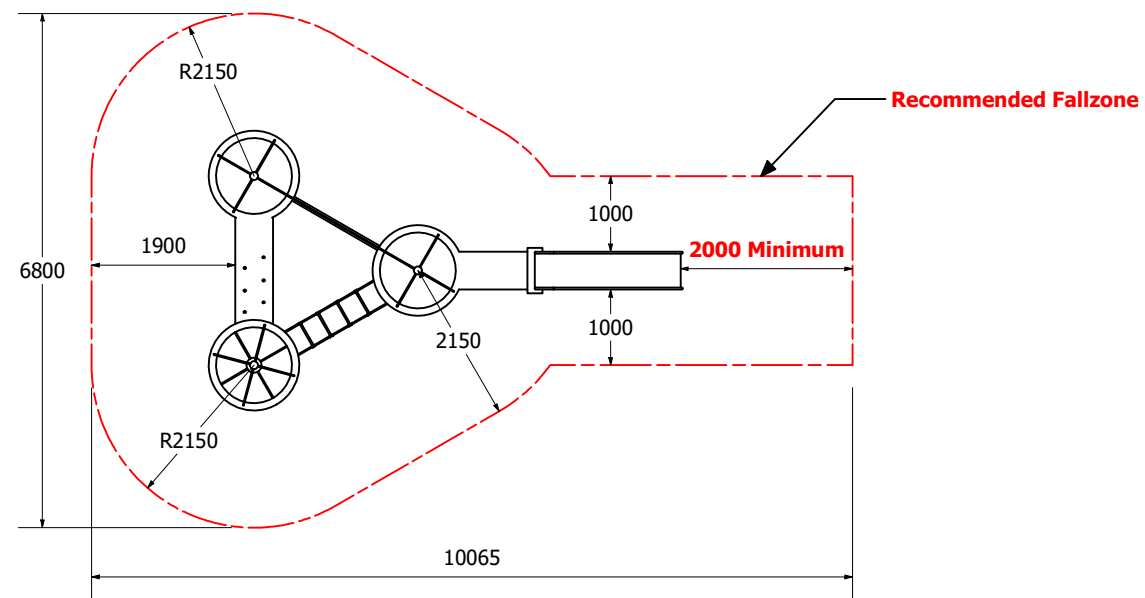
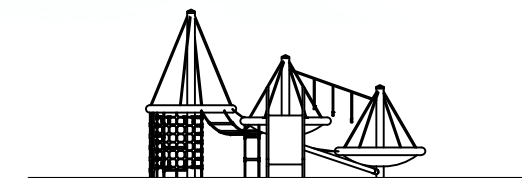
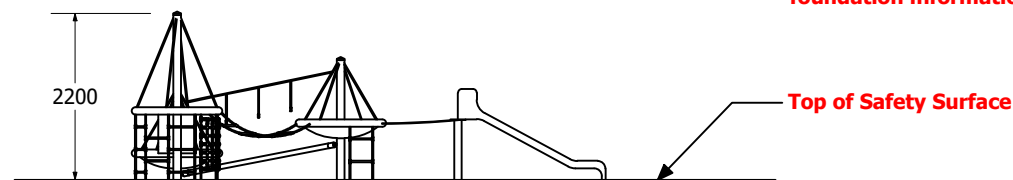


Fortuna Play Course 3-Part with Bridge & Slide

1:100 @ A3



NOTE: Please see installation instructions for detailed foundation information.



Technical Information	
Main Dimension	10065 x 6800
Total Area	43m ²
Max FHO	2200
Heaviest Part	--
Compliant to	NZS 5828:2015 AS 4685:2017 EN 1176:2008