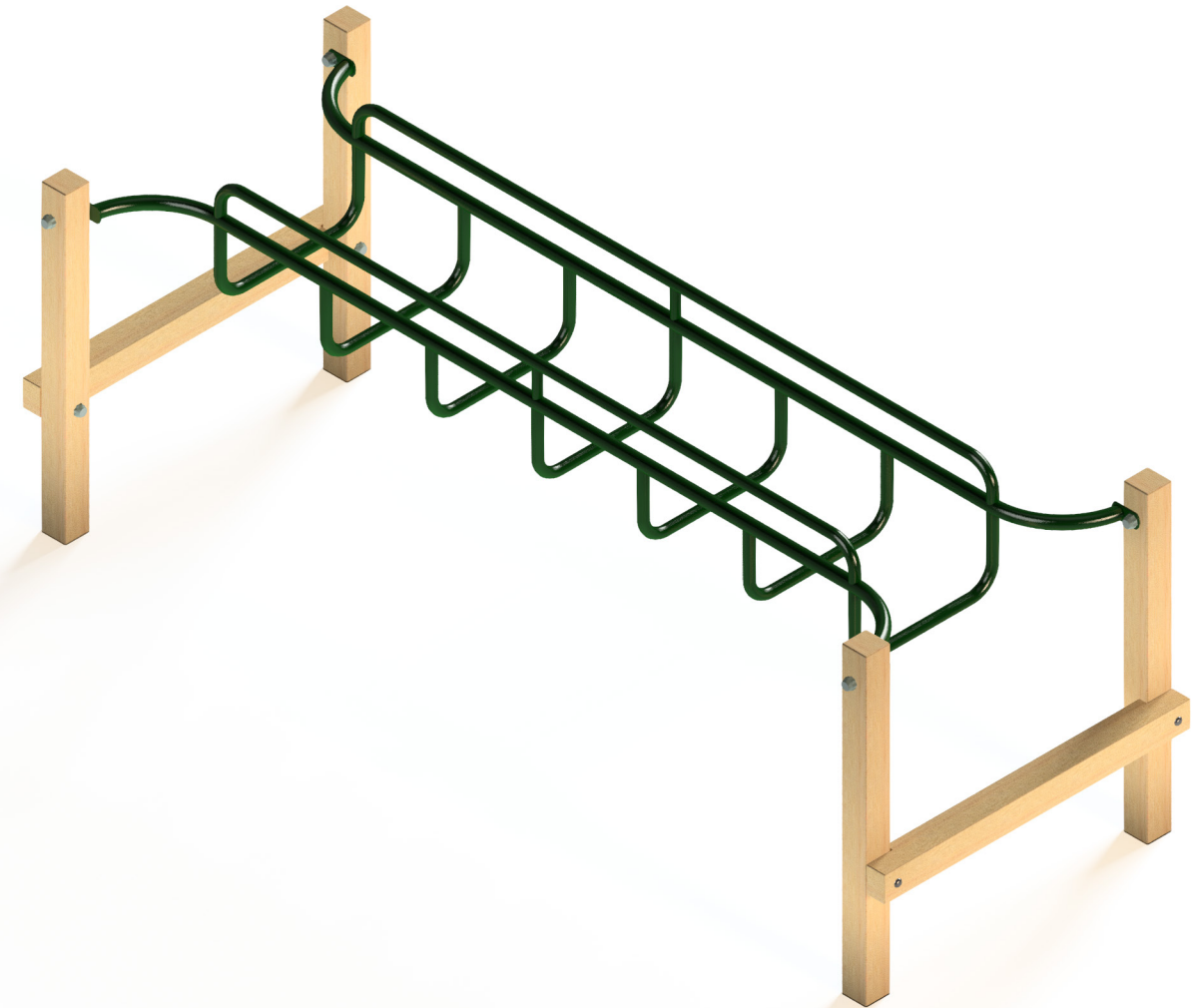
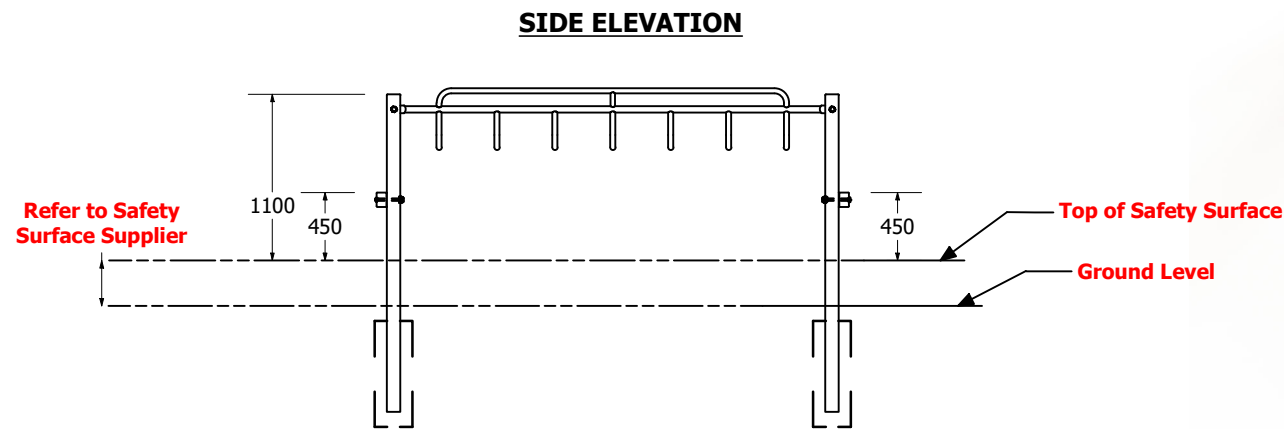
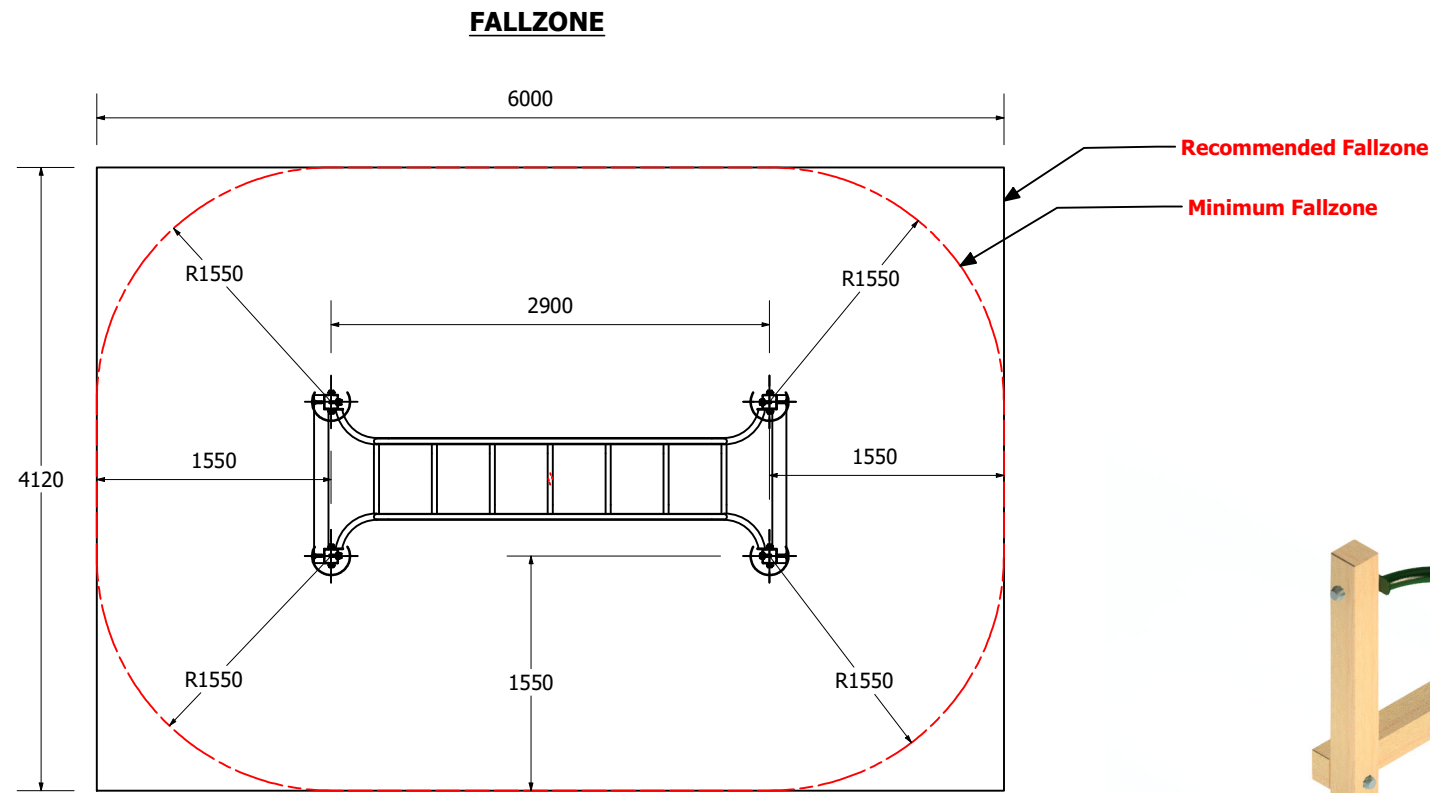


1:50 @ A3



Technical Information	
Main Dimension	6000x4120
Total Area	25m <sup>2</sup>
Max FHO	1000
Heaviest Part	32kg
Compliant to	NZS 5828:2015 AS 4685:2017 EN 1176:2008

REVISION HISTORY			
REV	DESCRIPTION	DATE	BY
0	Creation	6/07/2018	