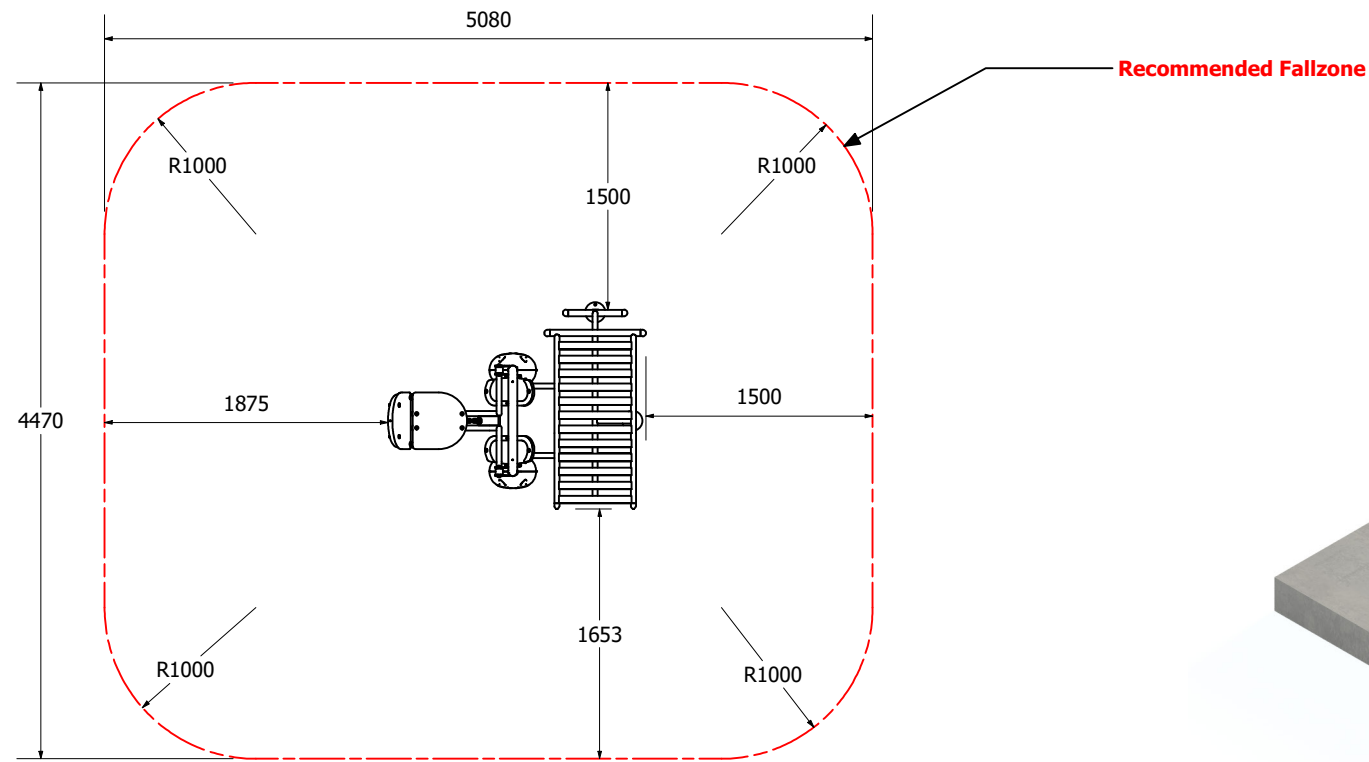


Max Health Duo/ 803 Sit Up Bench & 804 Leg Press

Max Health Duo/ 803 Sit Up Bench & 804 Leg Press

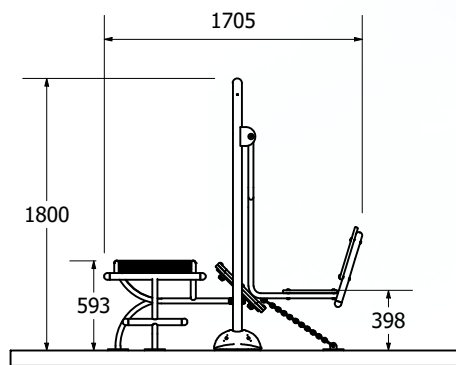
1:100 @ A3

Fallzones

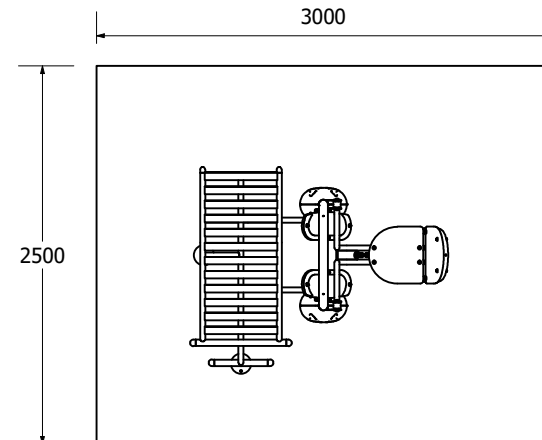


Front View

Side View



Plan View



Concrete Pad

100

Concrete Pad
Recommended size 3000 x 2500

Technical Information	
Main Dimension	4470 x 5080
Total Area	22m ²
Max FHOV	<1m
Heaviest Part	--
Compliant to	NZS 5828:2015 AS 4685:2017 EN 1176:2008

REVISION HISTORY			
REV	DESCRIPTION	DATE	BY
0	Creation	17/05/2019	