

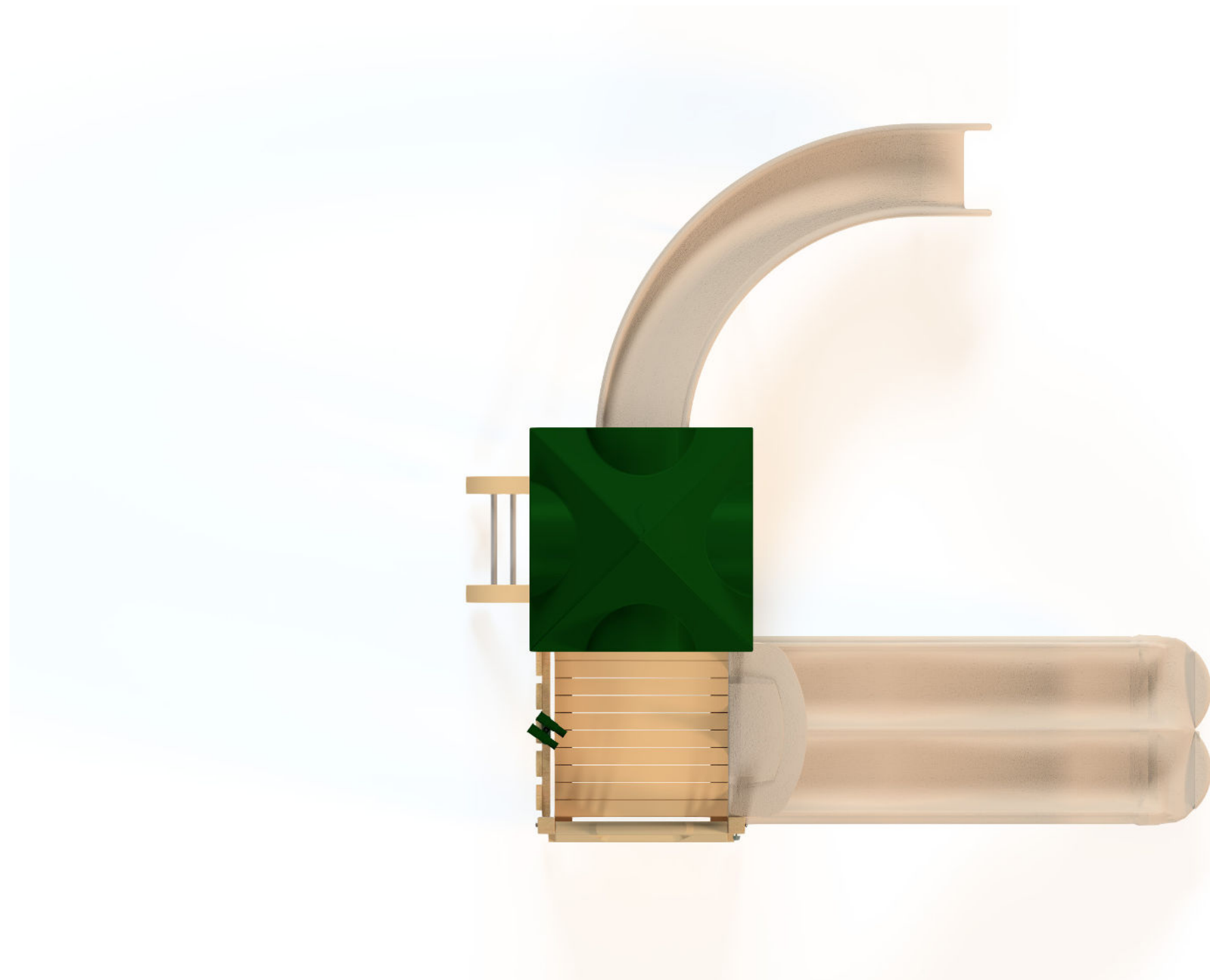
SC - 387 Slide Module



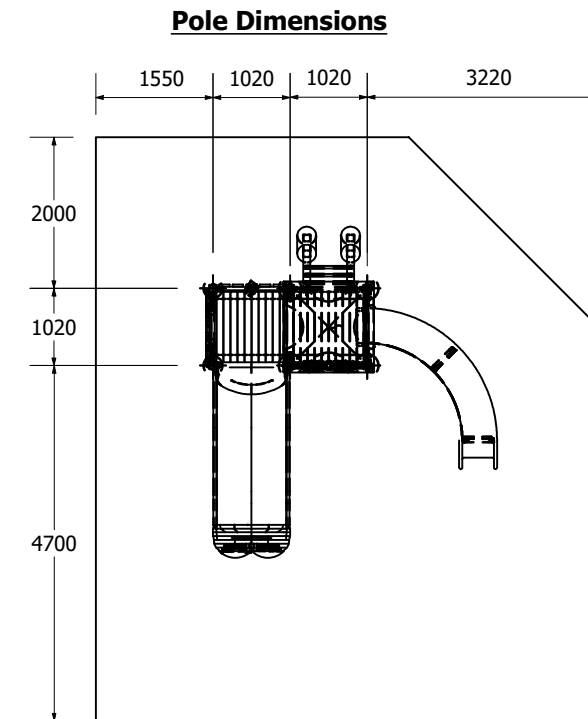
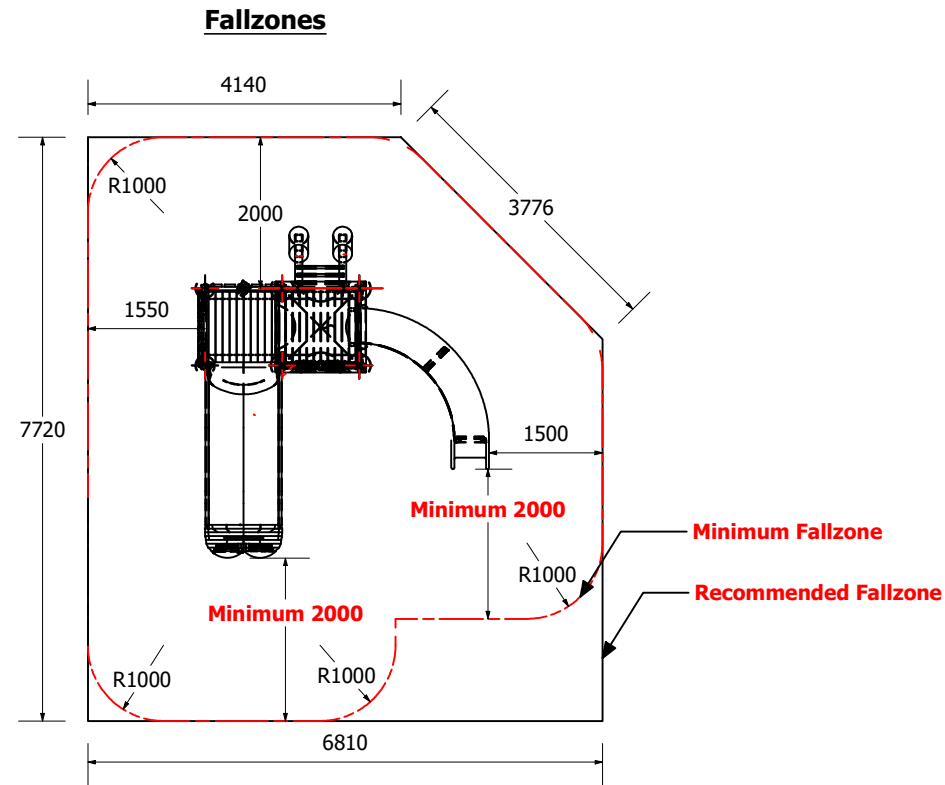
SC - 387 Slide Module



SC - 387 Slide Module



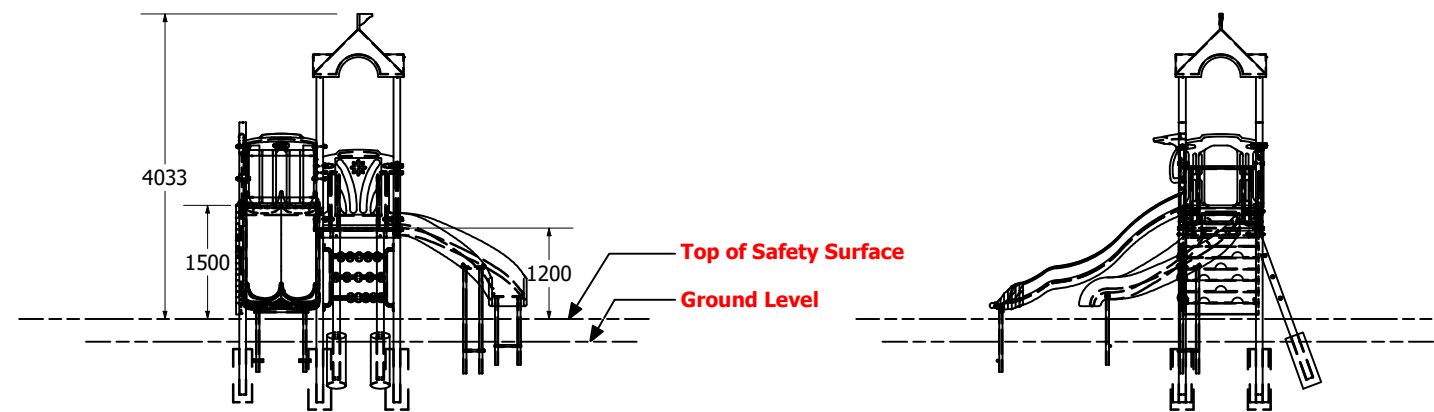
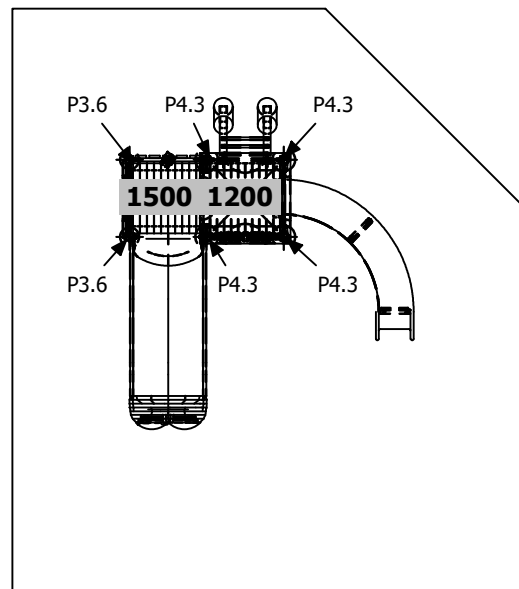
1:100 @ A3



Pole Type

Front Elevation

Right Elevation



Technical Information	
Main Dimension	6810 x 7720
Total Area	49m ²
Max FHO	1500
Heaviest Part	60kg
Compliant to	NZS 5828:2015 AS 4685:2017 EN 1176:2008

REVISION HISTORY			
REV	DESCRIPTION	DATE	BY
0	Creation	14/02/2019	