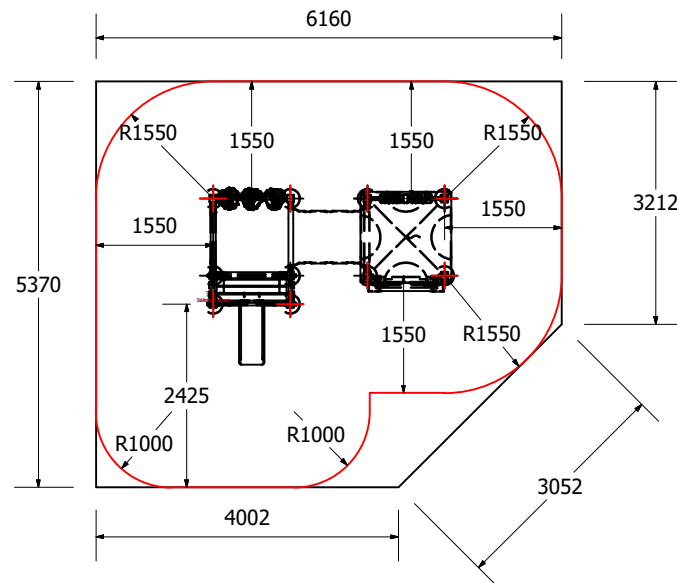


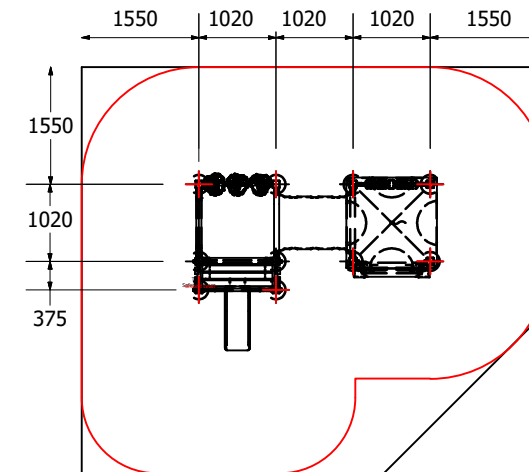
Toddler 102

Plan view

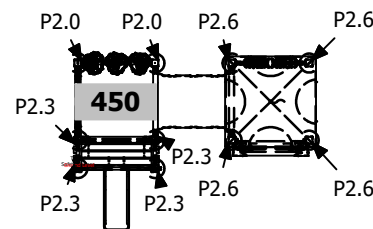
Fallzones



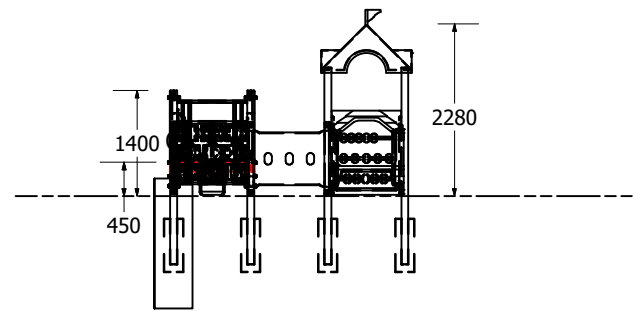
Pole Dimensions



Pole Type

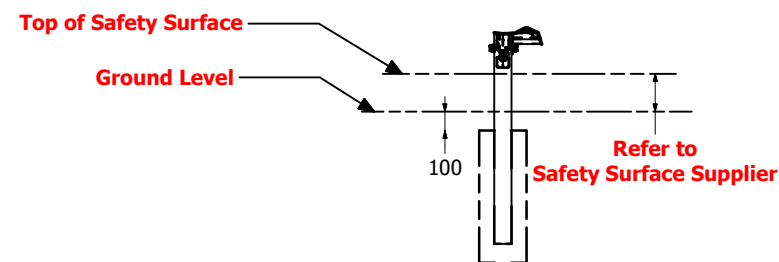
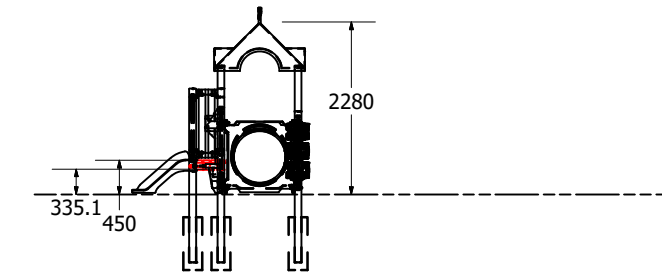


Front Elevation



C (1 : 40)

Right Elevation



1:100 @ A3

Technical Information	
Main Dimension	6160x5370
Total Area	31m ²
Max FHO	450
Heaviest Part	40kg
Compliant to	NZS 5828:2015 AS 4685:2014 EN 1176:2008

REVISION HISTORY			
REV	DESCRIPTION	DATE	BY
0	Creation	28/09/2017	

