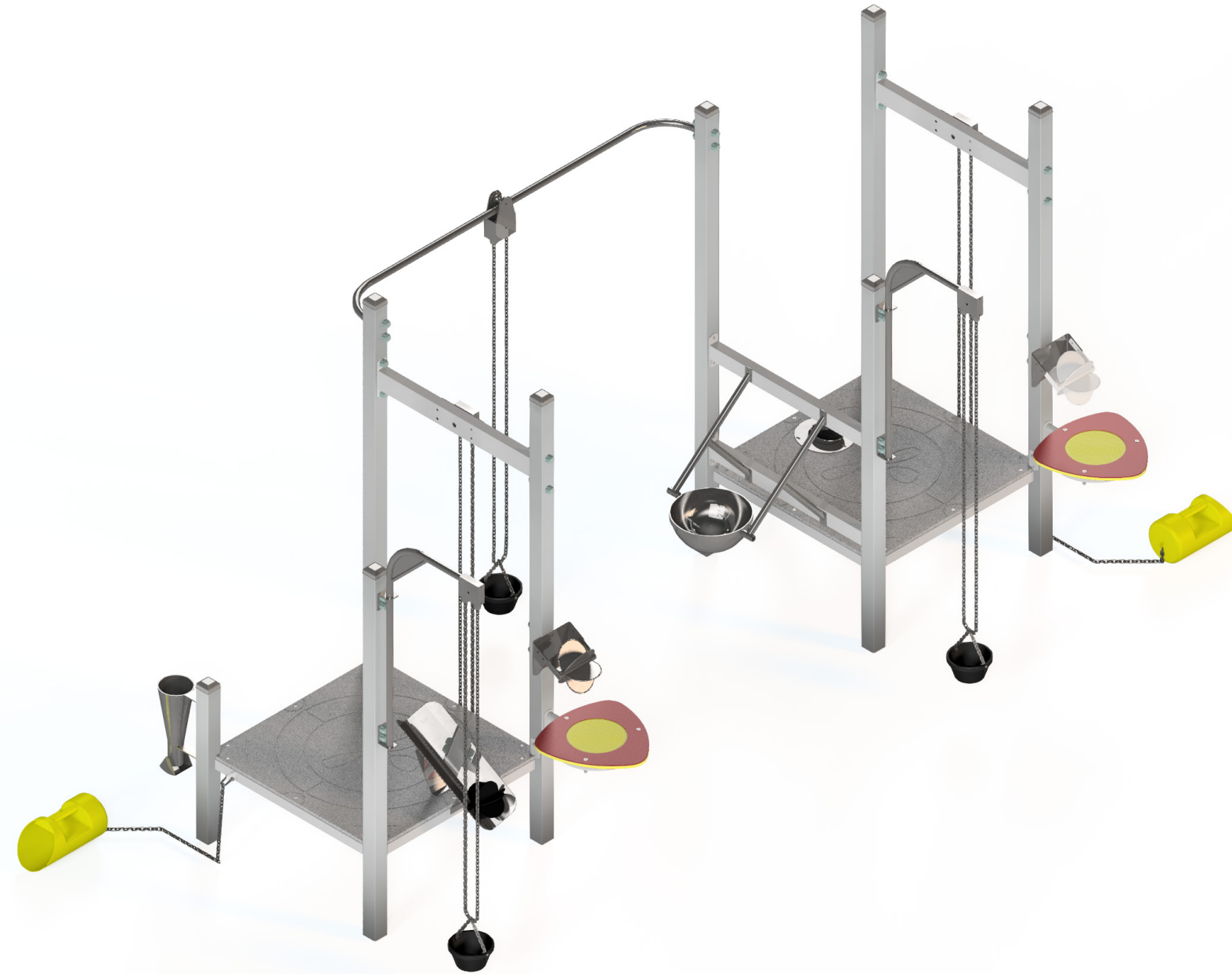
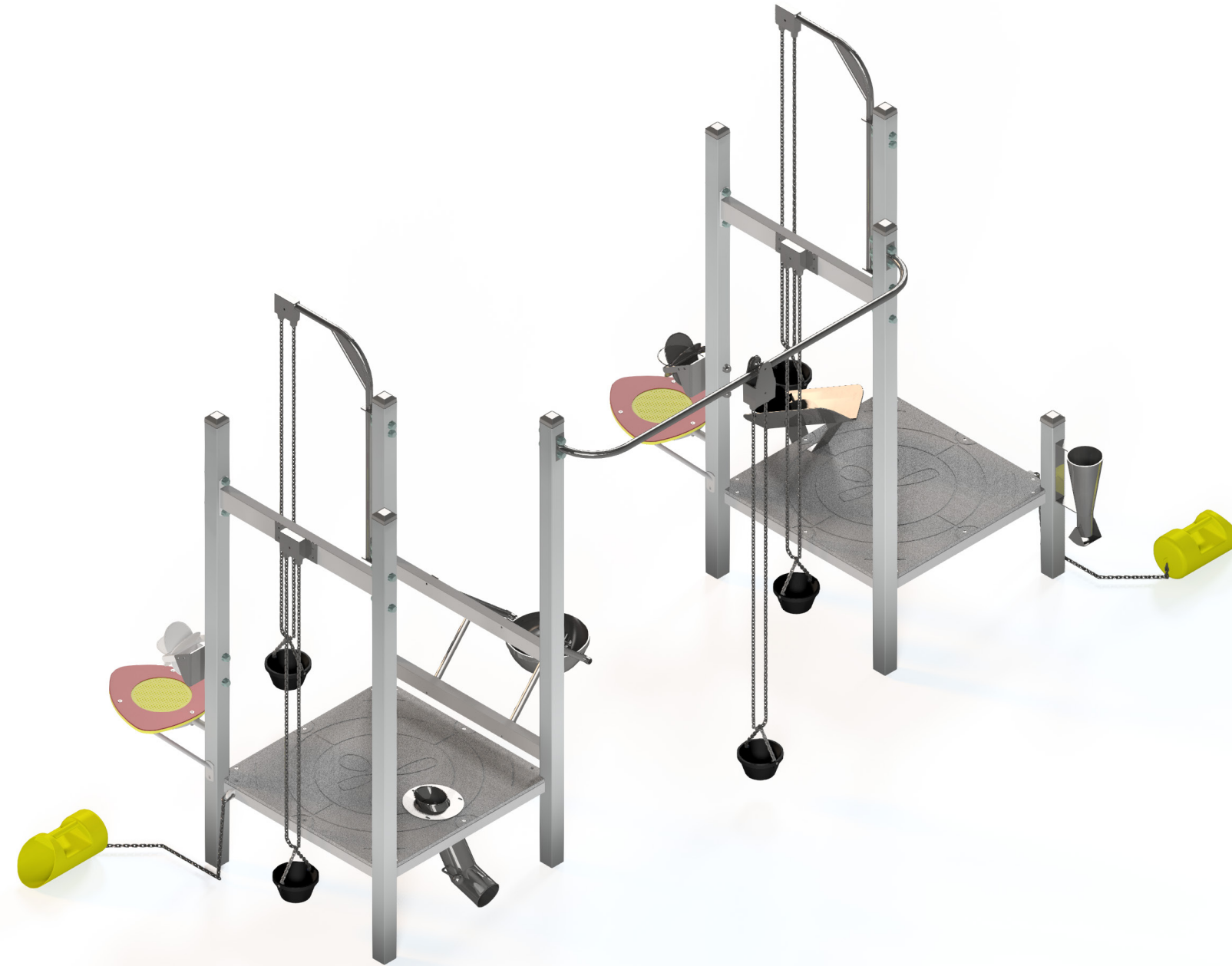


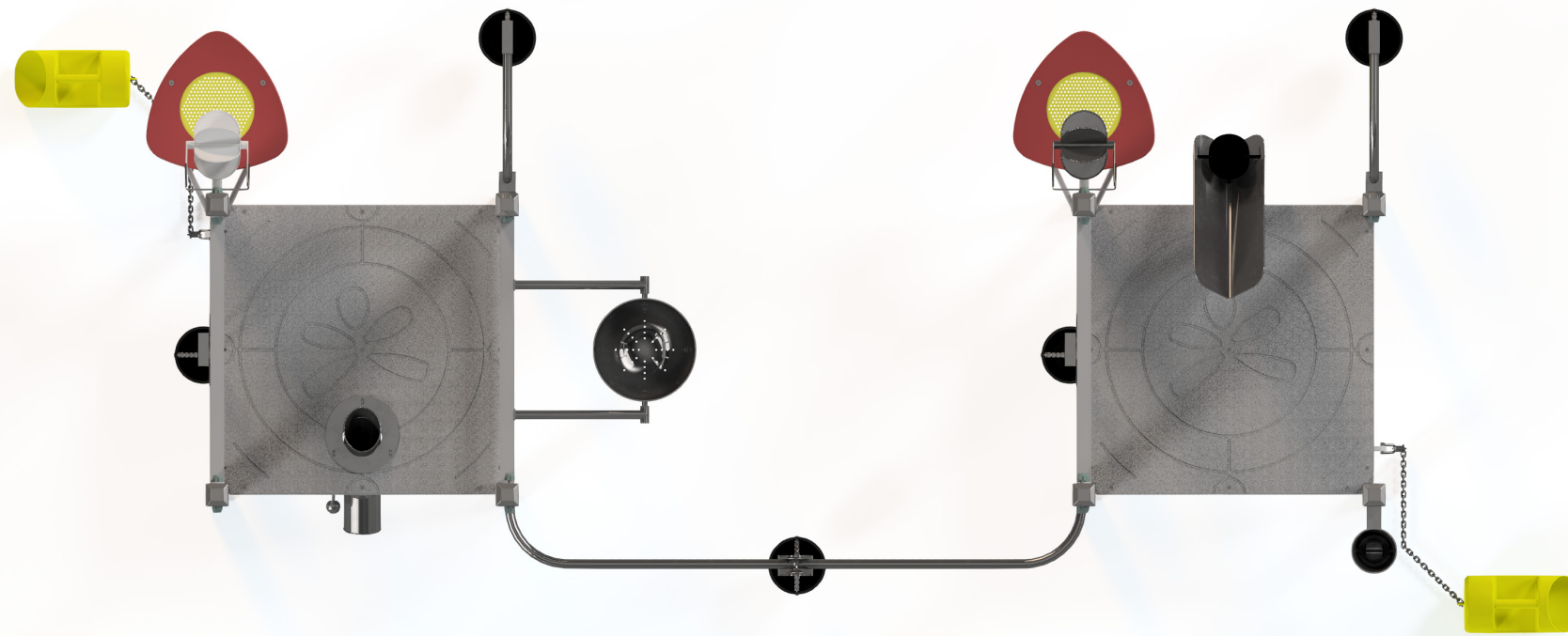
Sandplay 228 - Metaplay



Sandplay 228 - Metaplay

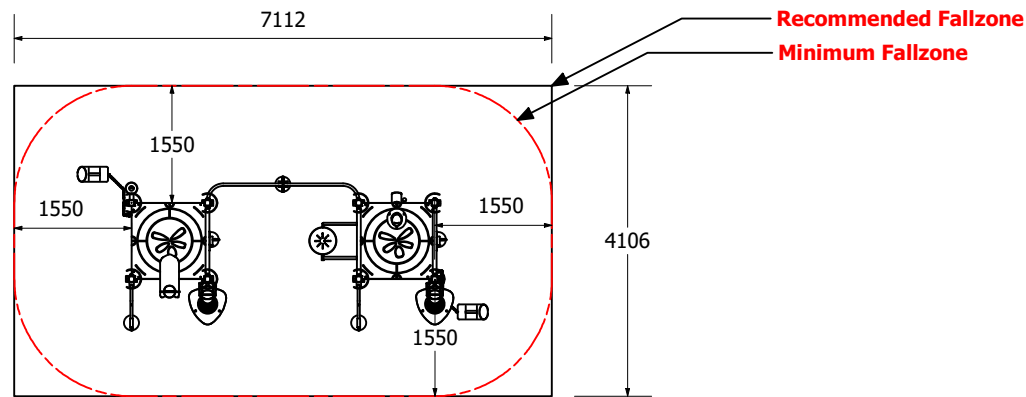


Sandplay 228 - Metaplay

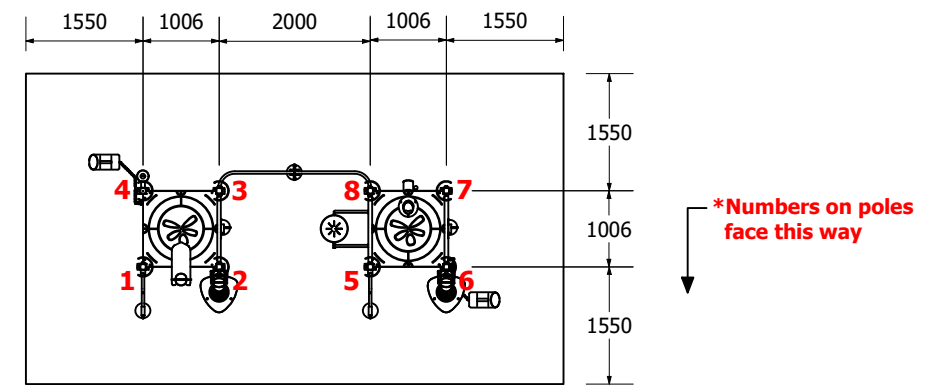


1:100 @ A3

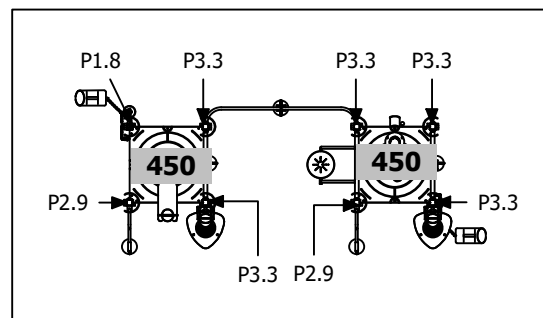
Fallzones



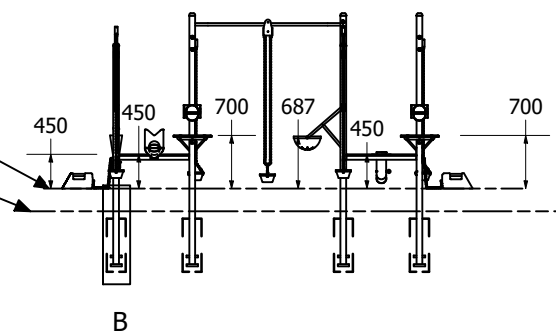
Pole Dimensions



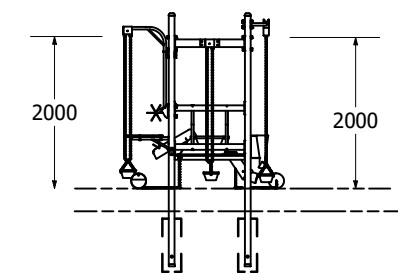
Pole Type



Front Elevation

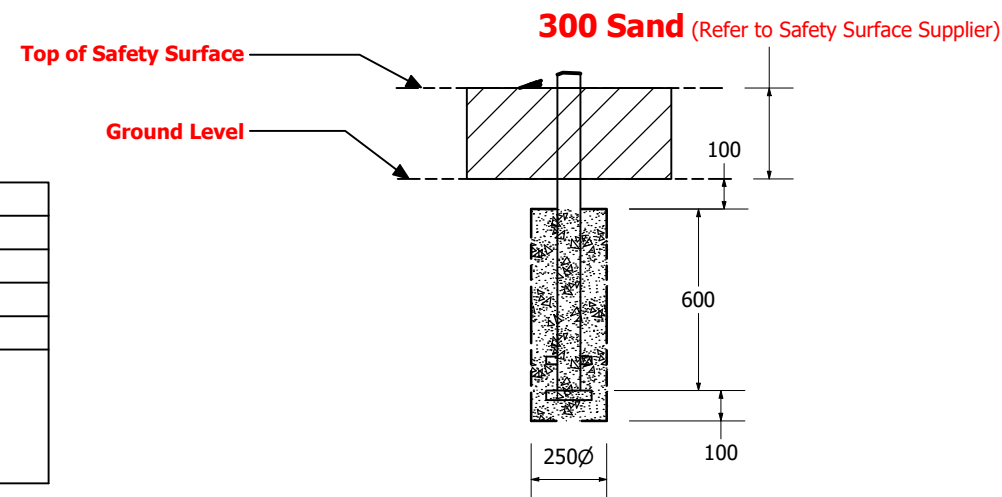


Right Elevation



Top of Safety Surface
Ground Level

B (1 : 25)



Technical Information	
Main Dimension	7112 x 4106
Total Area	29.5m ²
Max FHO	>1m
Heaviest Part	
Compliant to	NZS 5828:2015 AS 4685:2017 EN 1176:2008

REVISION HISTORY			
REV	DESCRIPTION	DATE	BY
0	Creation	21/11/2018	