

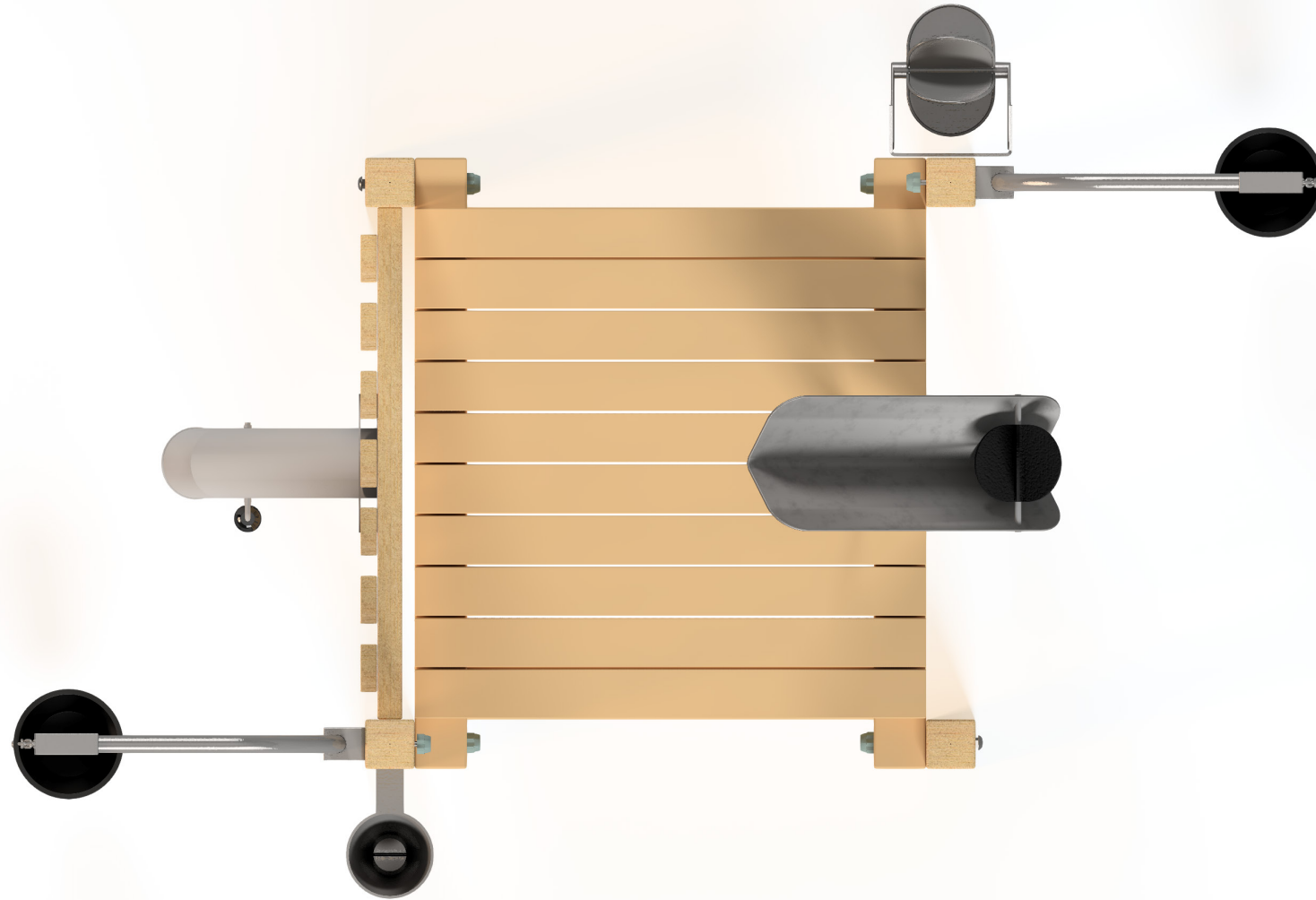
Sandplay Module 226



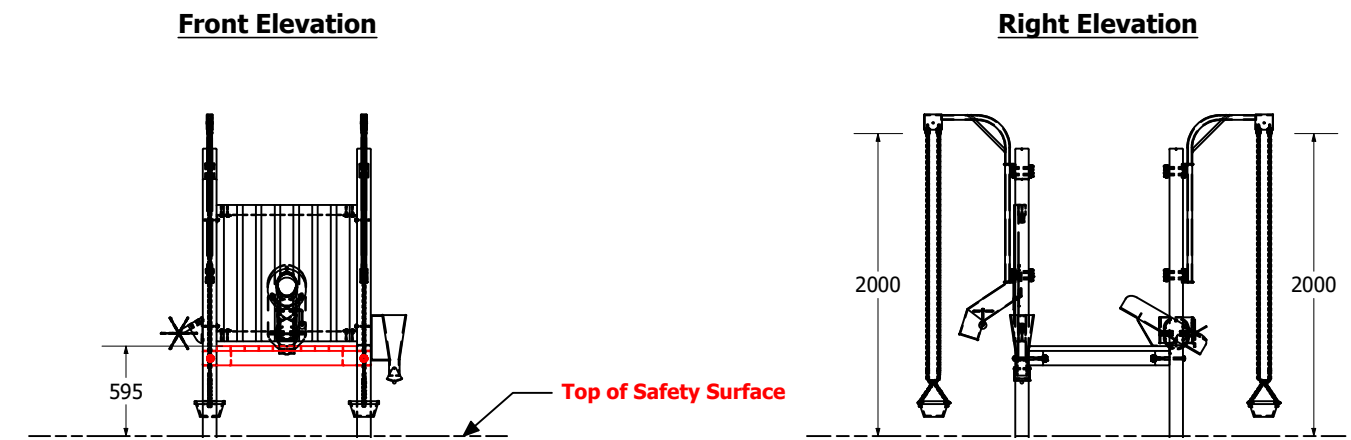
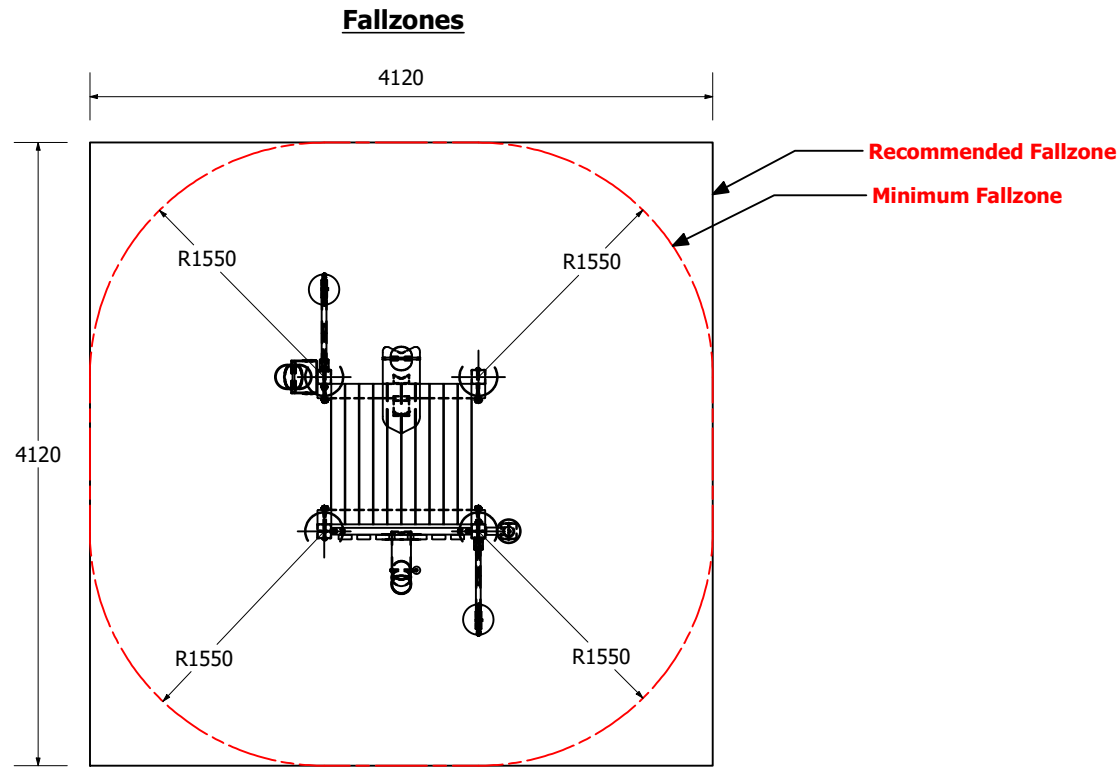
Sandplay Module 226



Sandplay Module 226



1:50 @ A3



Technical Information	
Main Dimension	4120 x 4120
Total Area	17m2
Max FHOE	595
Heaviest Part	30kg
Compliant to	NZS 5828:2015 AS 4685:2017 EN 1176:2008

REVISION HISTORY			
REV	DESCRIPTION	DATE	BY
0	Creation	21/12/2018	