



# Jungle 406

The ultimate bright, vibrant and tough fitness playground. Constructed with steel posts and flexi-chain activities this unit will take the knocks.

## Safety, Quality, Durability and Usability

- Certified to NZS5828:2004
- Conditional 25 Year Warranty
- Triple Coat Protective Powdercoating
- Steel Posts
- UV Stabilised Plastics
- Ergonomically Shaped Alloy Handgrips

## Age groups appropriate for:



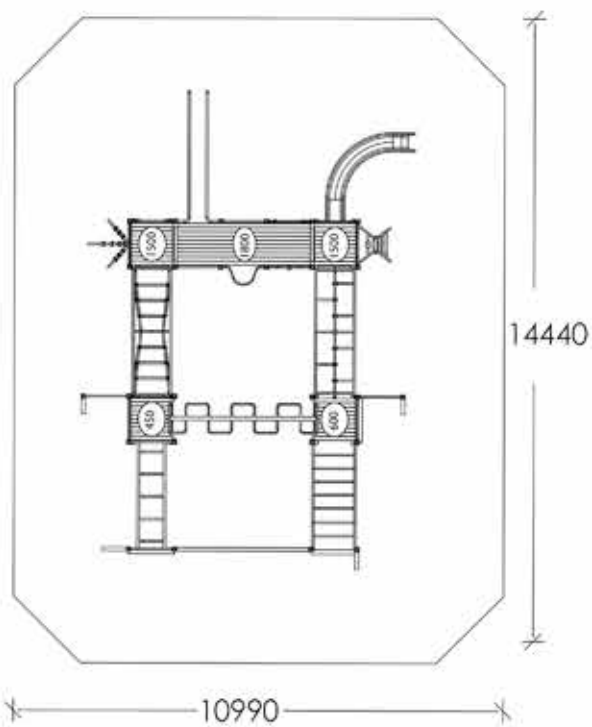
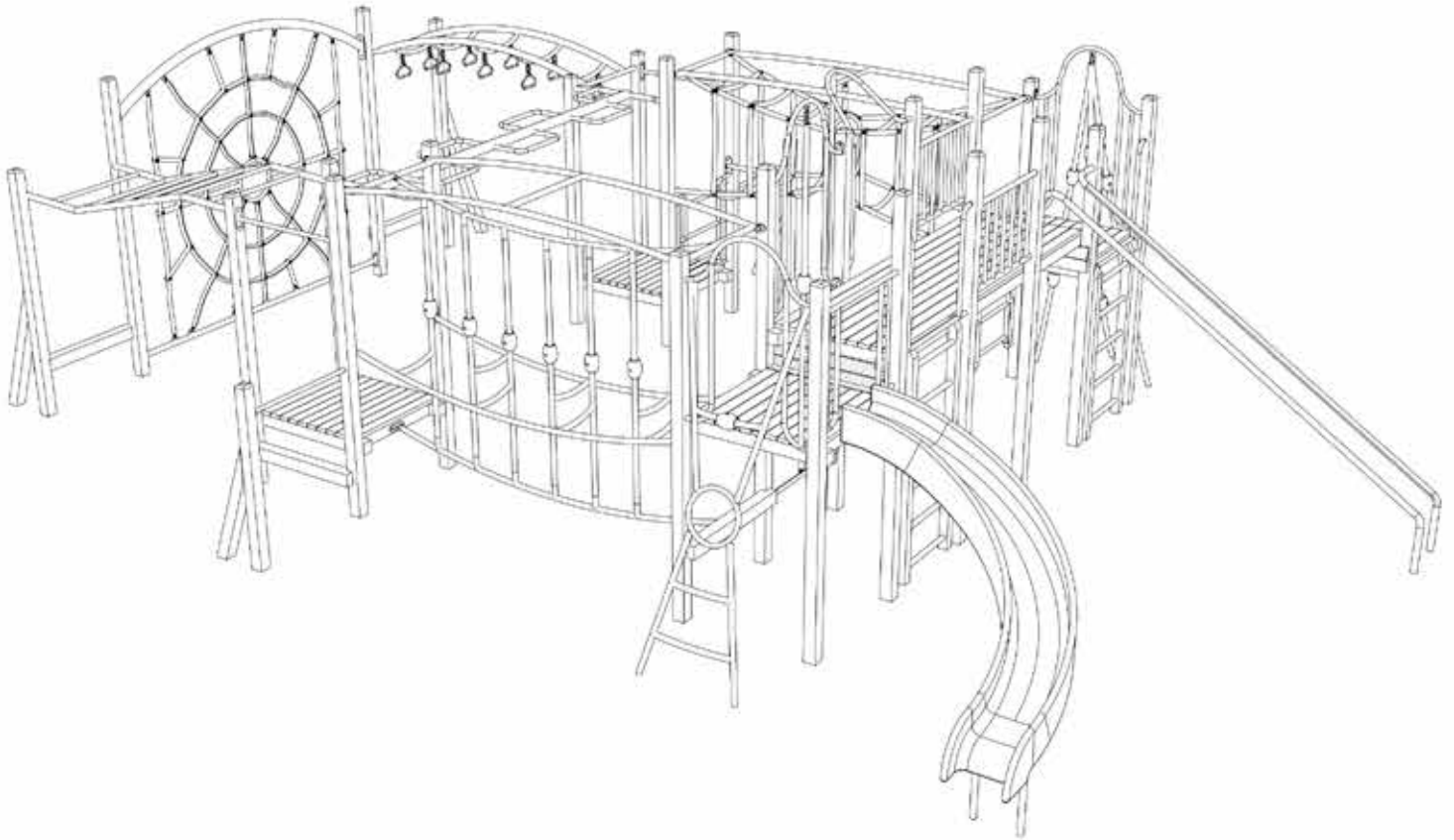
Primary to  
Big Kids



Teenagers to  
Young Adults

## Development Benefits

- AGL** Agility
- BAL** Balance
- CO-ORD** Co-ordination
- FMS** Fine motor skills
- GMS** Gross motor skills
- SD** Social Development



#### Technical information

Equipment only measurement: – mm	10790 x 7440 mm
Weight (heaviest part): – kg	99 kg
Total height above safety surface: – mm	3000 mm
Standard installation depth: – mm	–
Available for surface mount	–
Free height of fall: – mm	3000 mm
Safety zone: – m <sup>2</sup>	138.6 m <sup>2</sup>
Safety zone: – mm	10990 x 14440 mm
Compliant to standards	NZ55828:2004