

Edendale 116

Front view

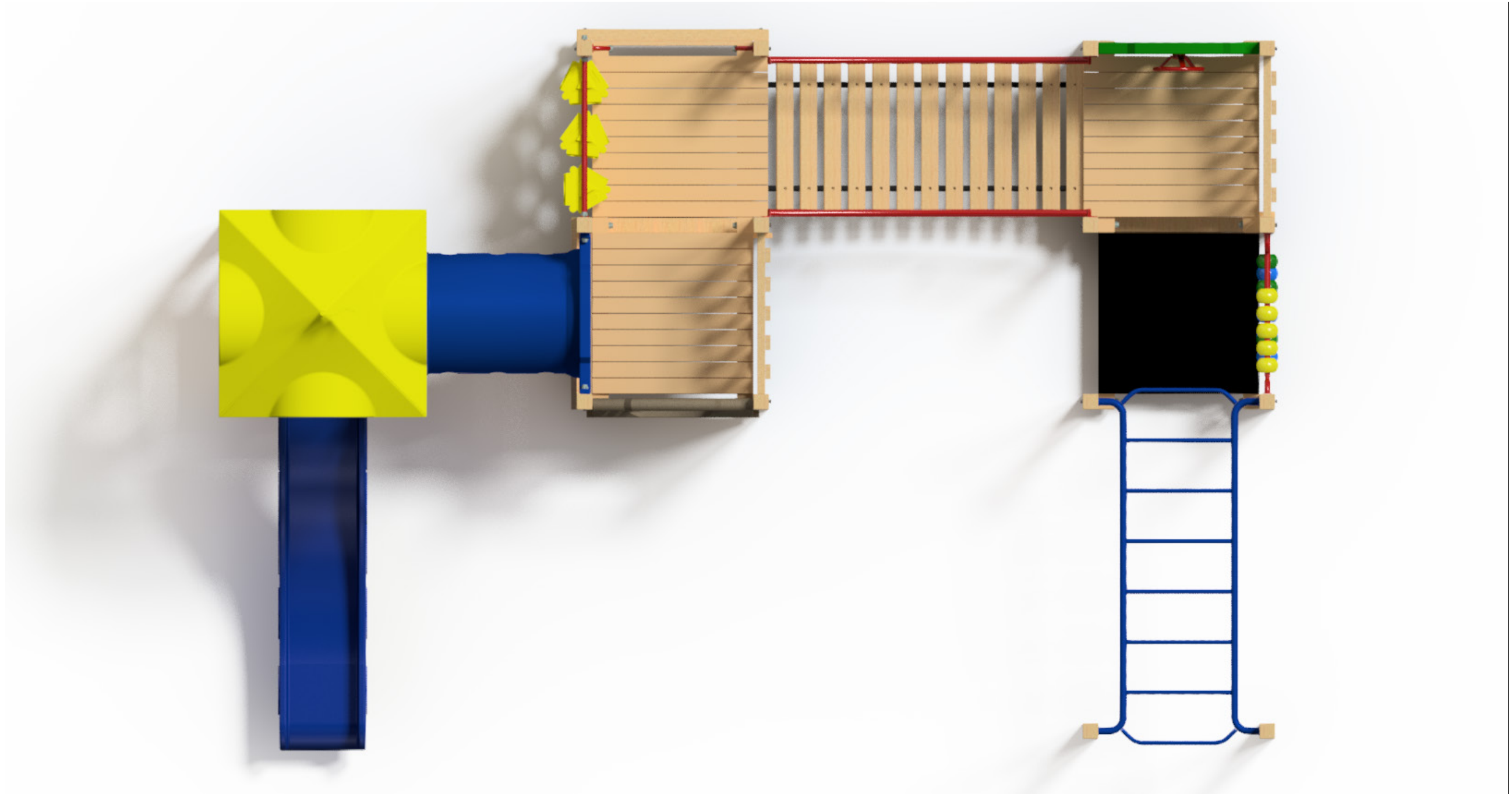
Edendale 116

Rear view



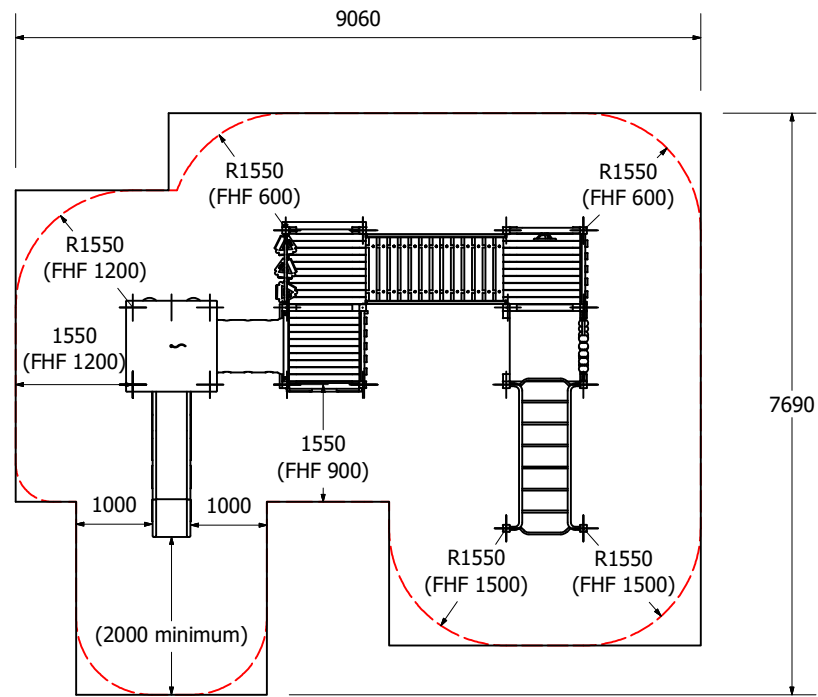
Edendale 116

Plan view

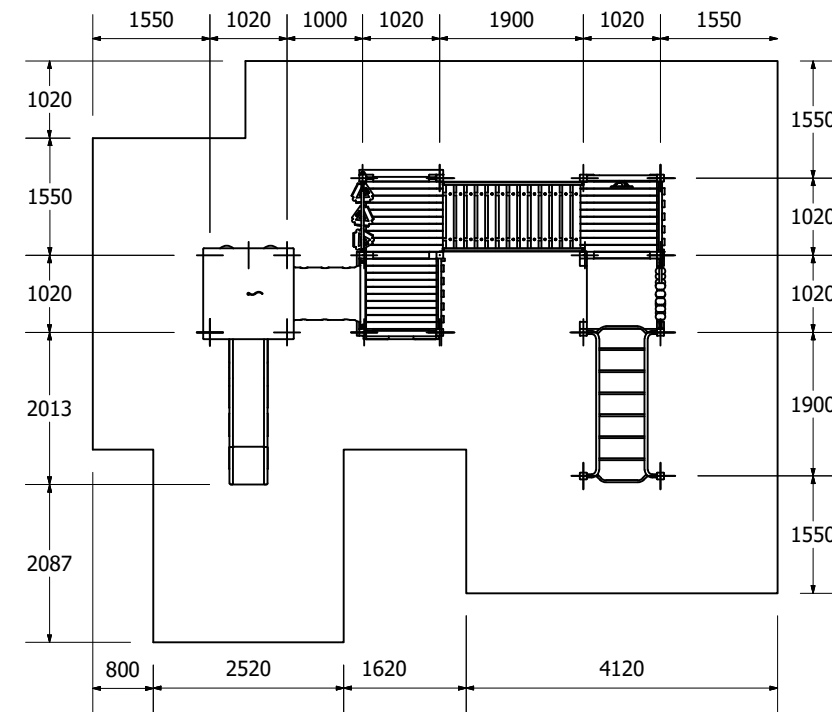


1:100 @ A3

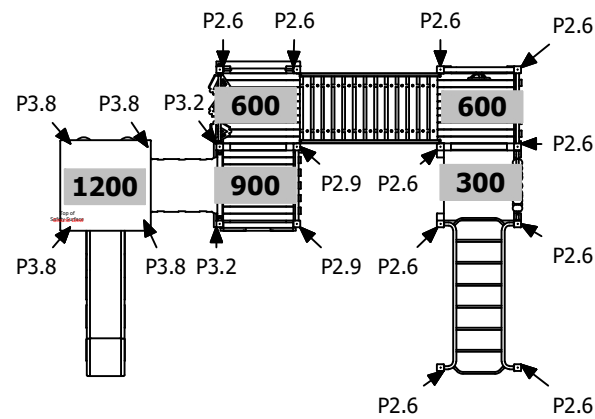
Fallzones



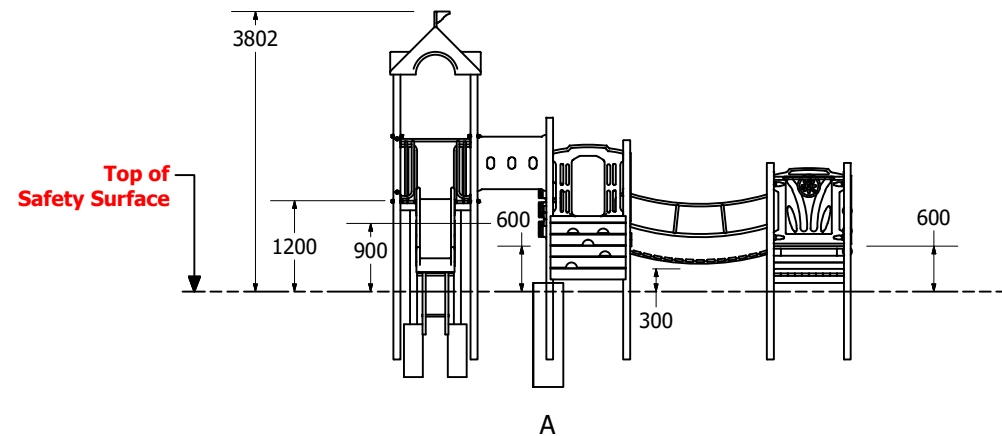
Pole Dimensions



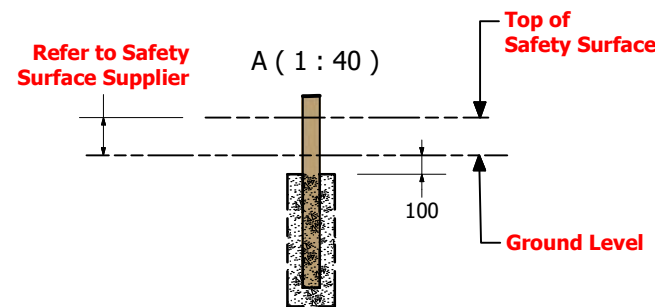
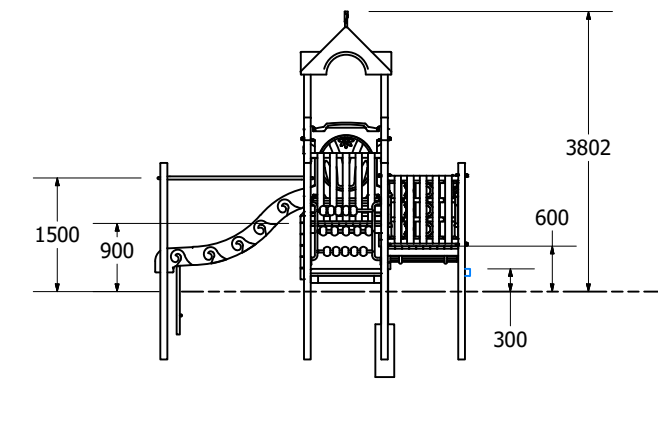
Pole Type



Front Elevation



Right Elevation



Technical Information	
Main Dimension	9060 x 7690
Total Area	59m ²
Max FHF	1500
Heaviest Part	70kg
Compliant to	NZS 5828:2015 AS 4685:2017 EN 1176:2008

REVISION HISTORY			
REV	DESCRIPTION	DATE	BY
0	Creation	19/04/2017	Sam

1:100 @ A3

