



# Broadhurst 710

This is a fun, fitness-filled circuit! You'll do your workout without even realising – you're enjoying it too much! Various age groups can challenge themselves at their own levels, simultaneously, as there's plenty of room for everyone here!

## Safety, Quality, Durability and Usability

- Certified to NZS5828:2004
- Conditional 25 Year Warranty
- Triple Coat Protective Powdercoating
- UV Stabilised Plastic
- Ergonomically Shaped Alloy Handgrips
- Flexi-chain Activities

## Age groups appropriate for:



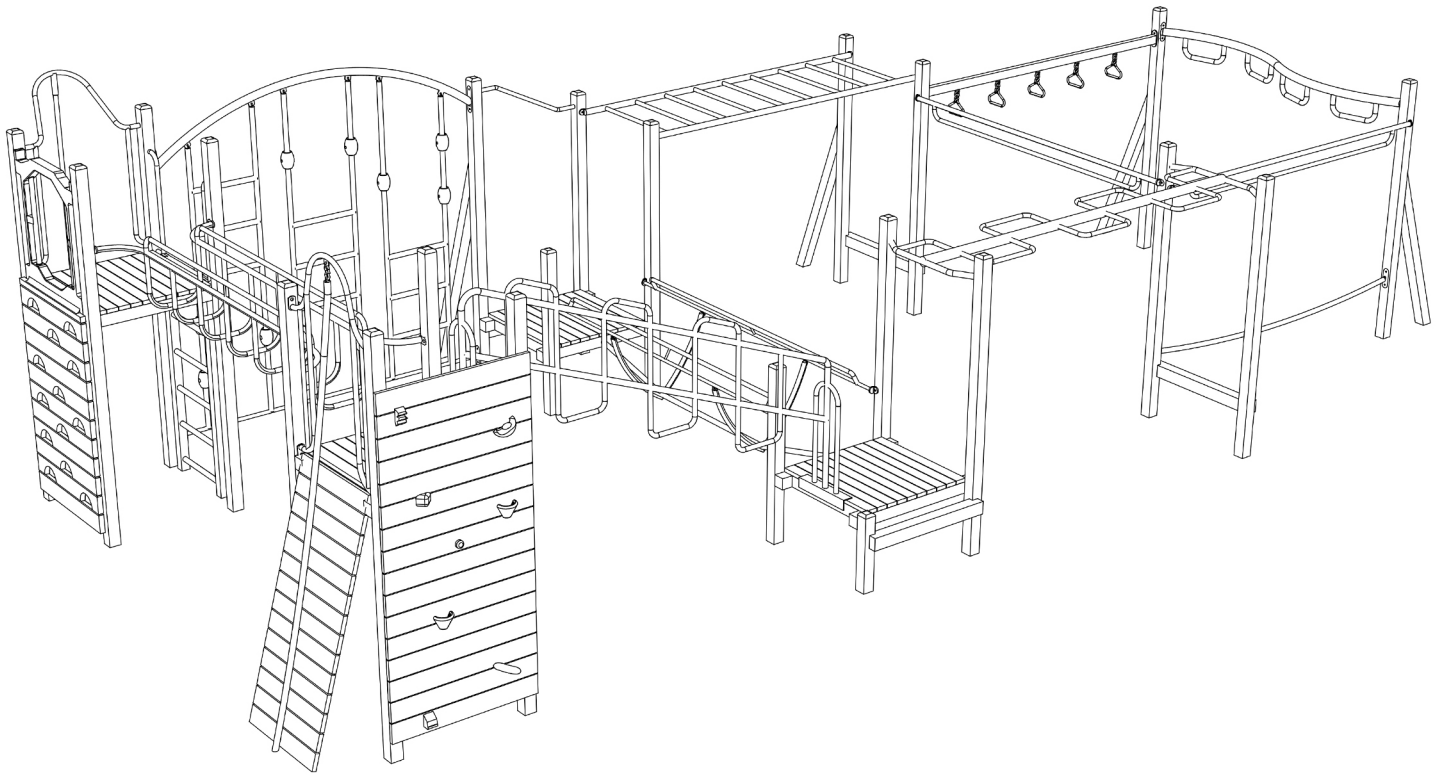
Primary to Big Kids



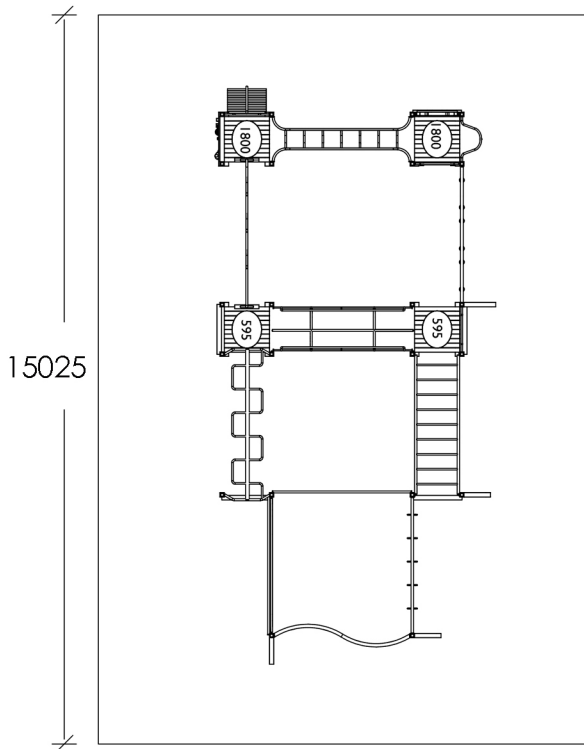
Teenagers to Young Adults

## Development Benefits

- AGL** Agility
- BAL** Balance
- CO-ORD** Co-ordination
- FMS** Fine motor skills
- GMS** Gross motor skills
- SD** Social Development



10040



#### Technical information

Equipment only measurement: – mm	11940 x 5630 mm
Weight (heaviest part): – kg	33 kg
Total height above safety surface: – mm	3200 mm
Standard installation depth: – mm	–
Available for surface mount	–
Free height of fall: – mm	2900 mm
Safety zone: – m <sup>2</sup>	149 m <sup>2</sup>
Safety zone: – mm	15025 x 10040 mm
Compliant to standards	NZ5828: 2004 EN1176 Parts 1-7 :1998