

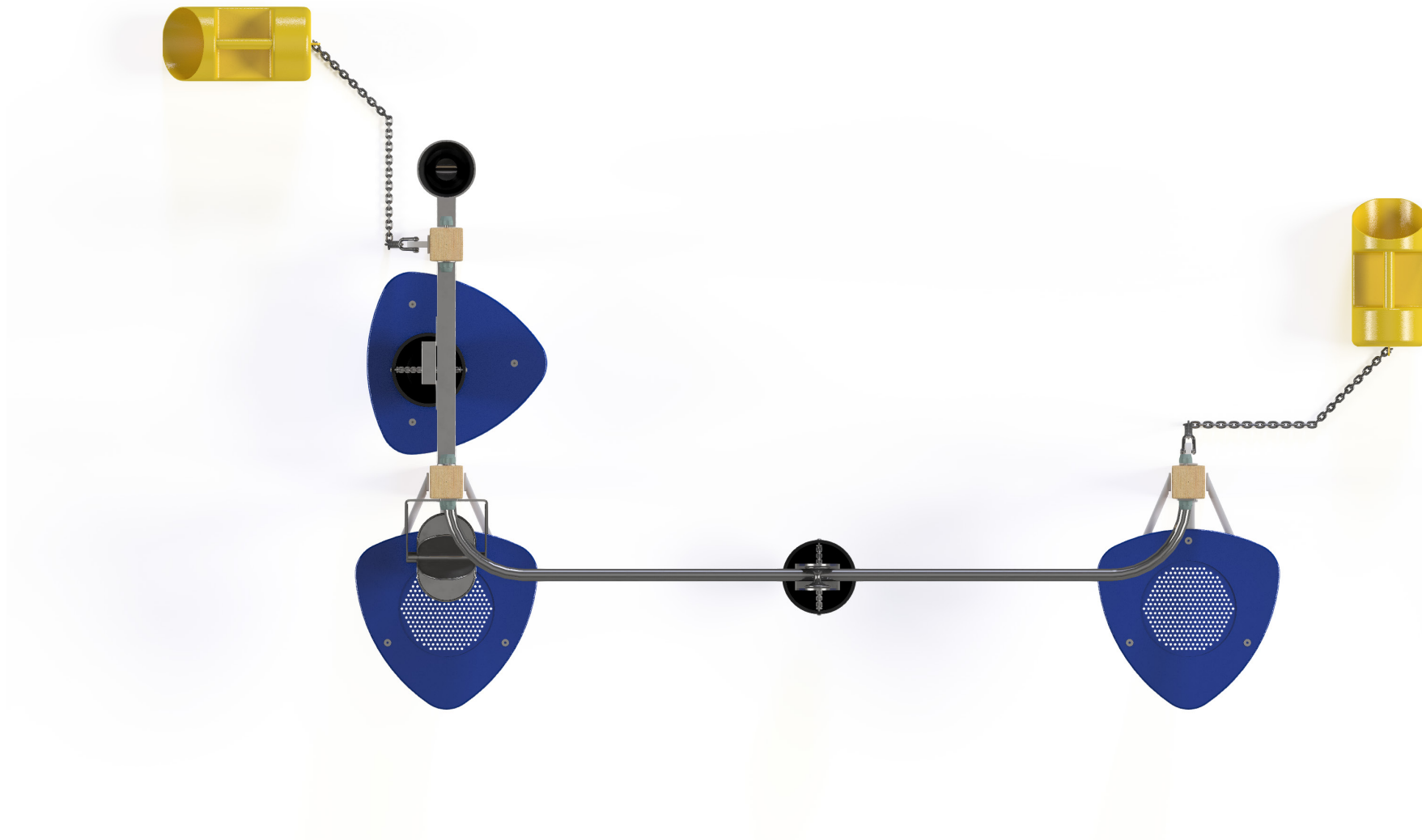
# Sandplay Module 224



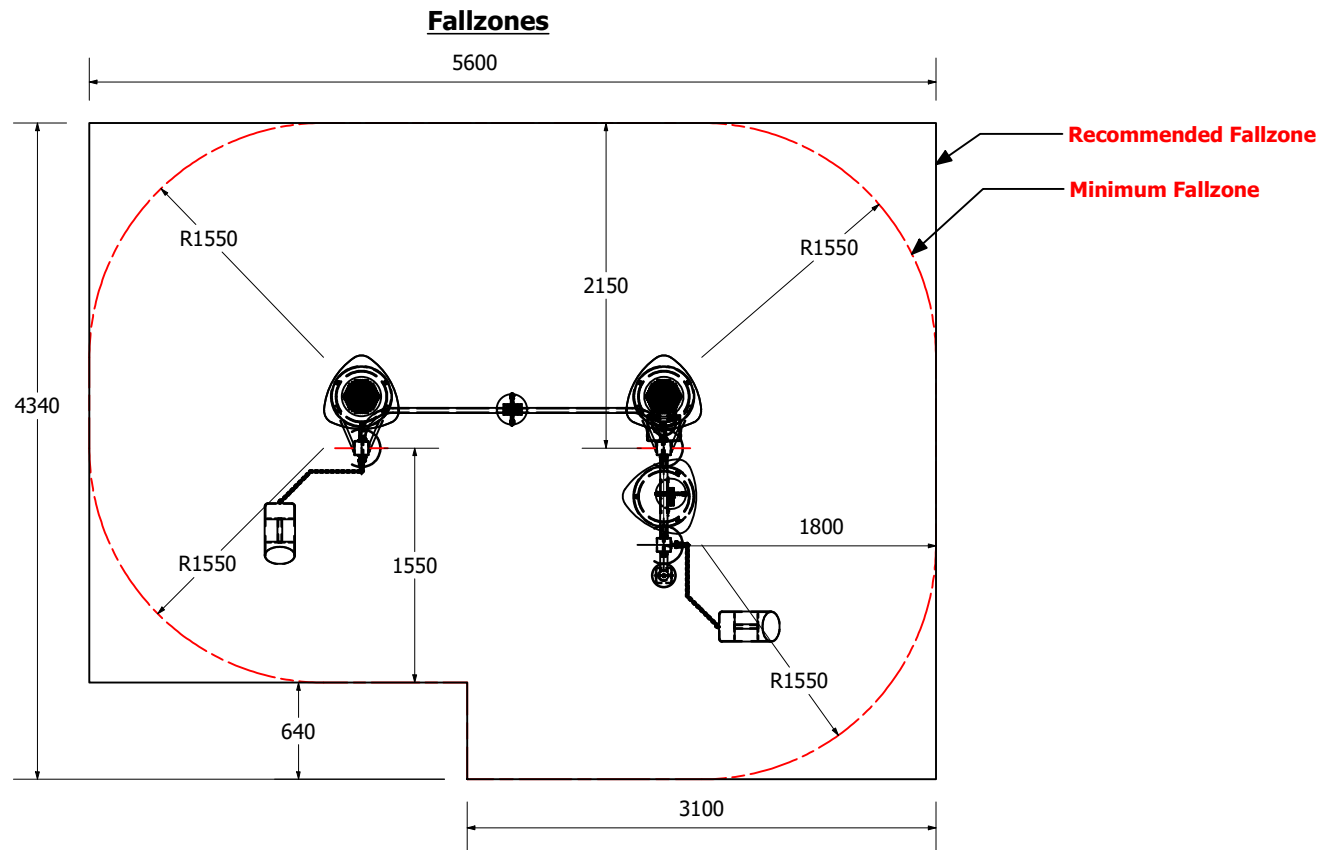
# Sandplay Module 224



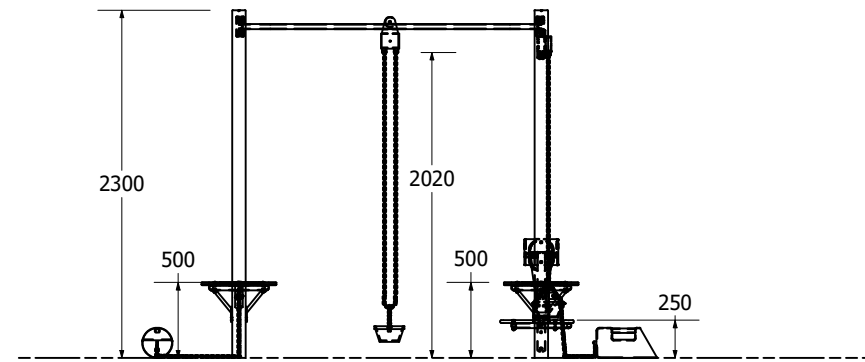
# Sandplay Module 224



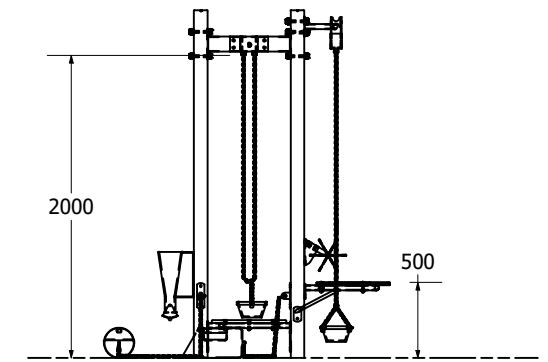
1:50 @ A3



**Front Elevation**



**Right Elevation**



Technical Information	
Main Dimension	5600 x 4340
Total Area	23m <sup>2</sup>
Max FHO	500
Heaviest Part	15kg
Compliant to	NZS 5828:2015 AS 4685:2017 EN 1176:2008

REVISION HISTORY			
REV	DESCRIPTION	DATE	BY
0	Creation	21/12/2018	