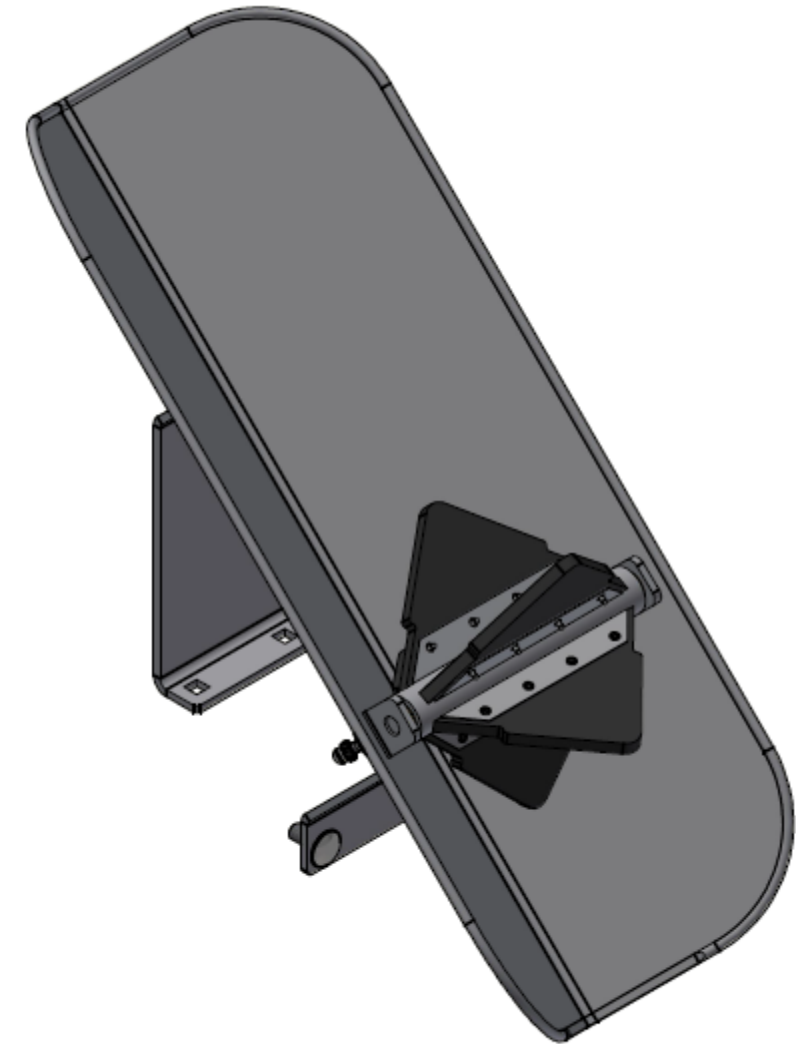
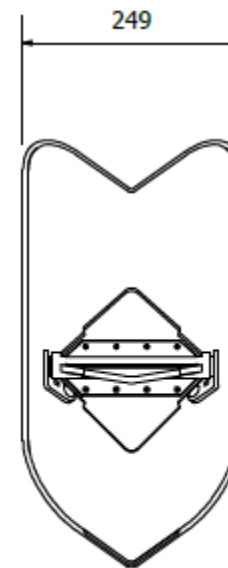
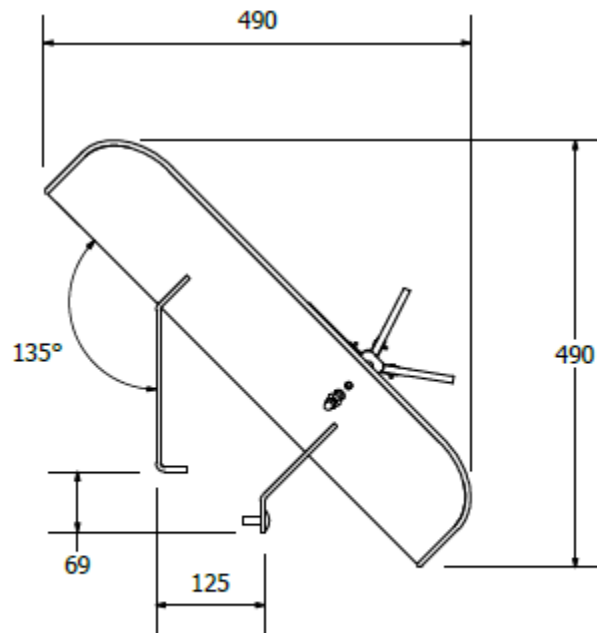
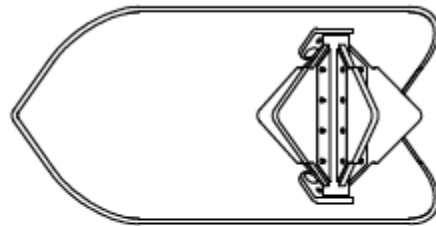


Sand Channel with Membrane Wheel



Technical Information	
Main dimensions	490 x 490 x 249mm
Compliant	NZS 5828:2015 AS 4685:2017 EN 1176:2008