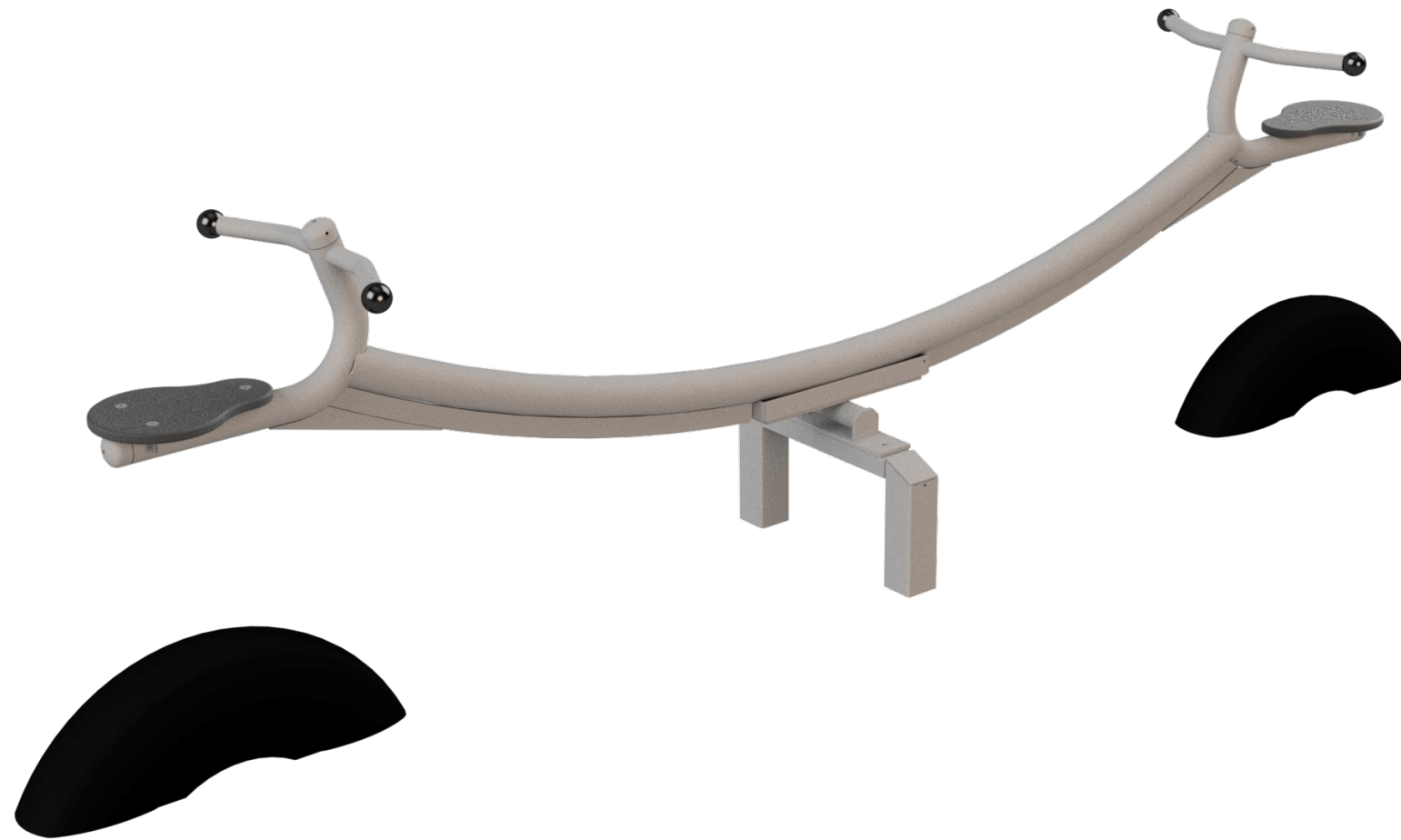
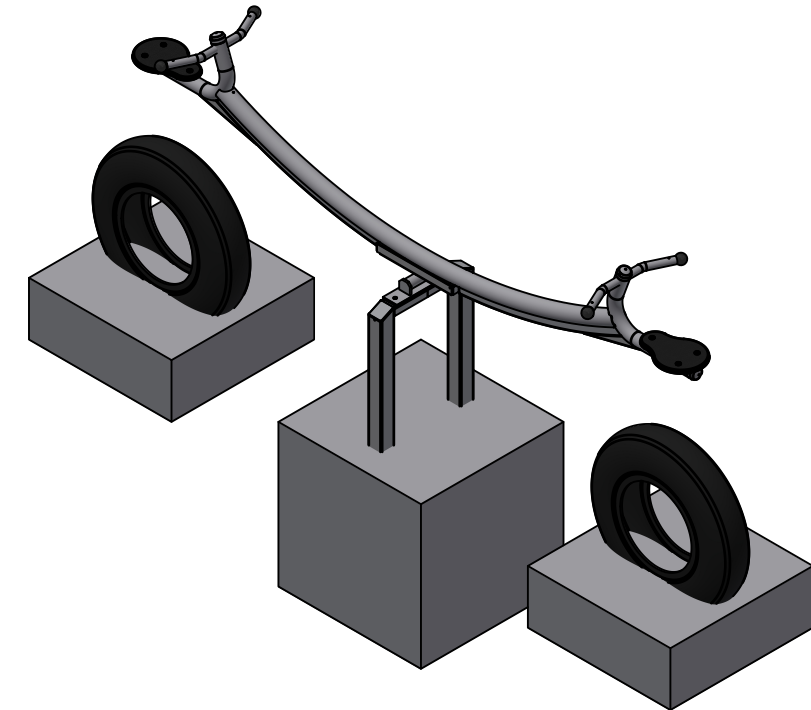
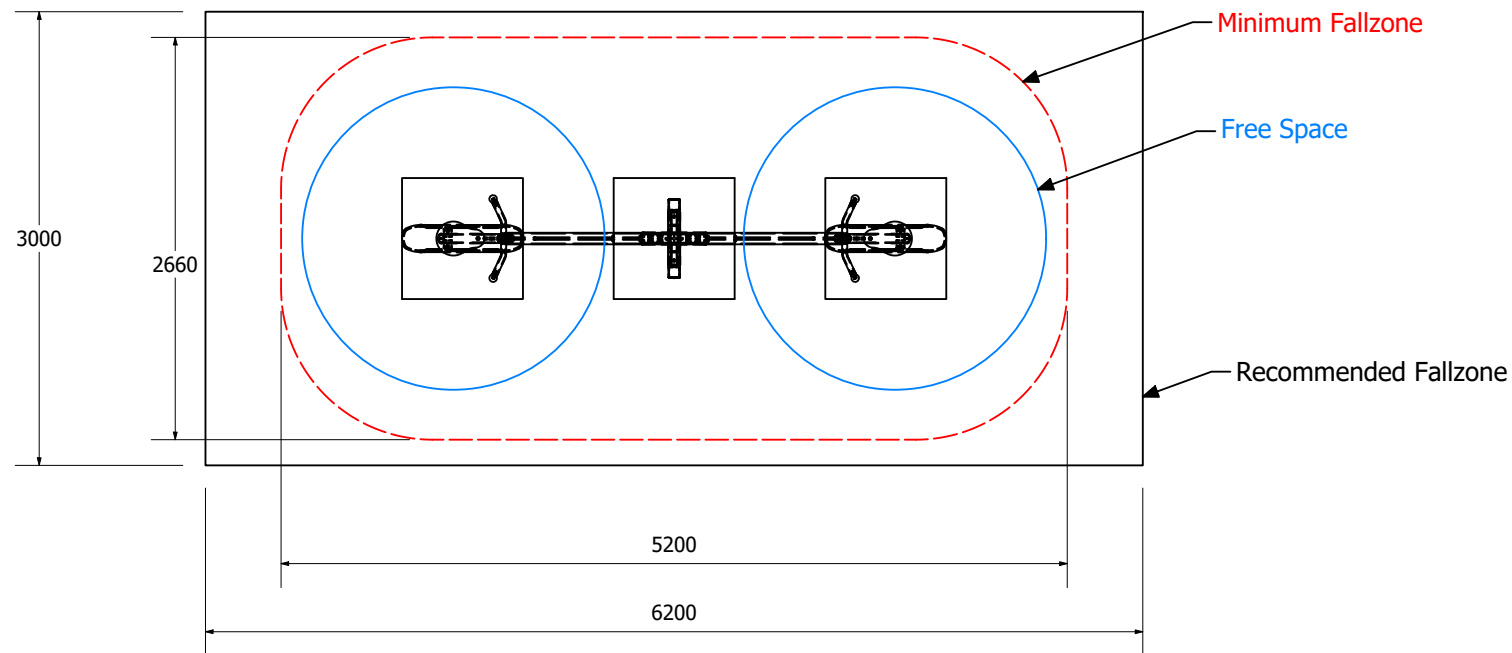


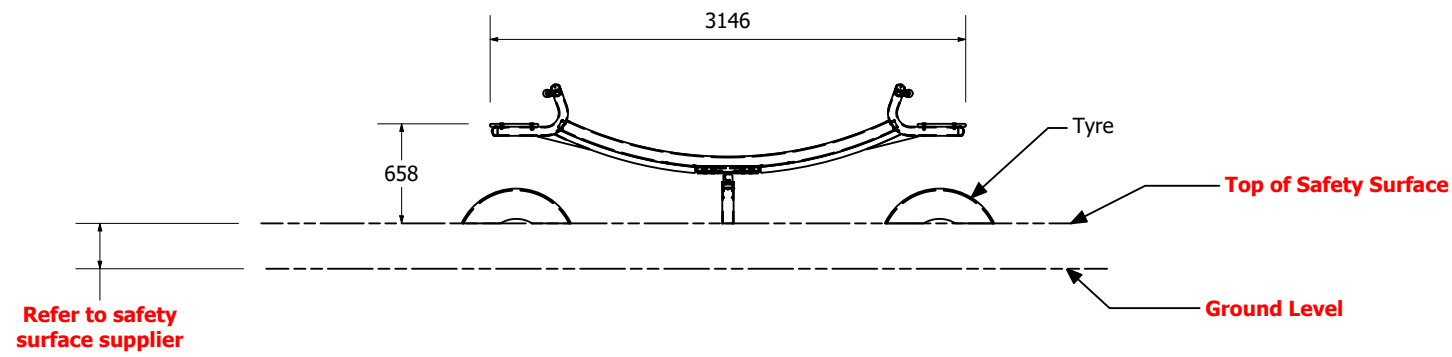
See saw - Metal



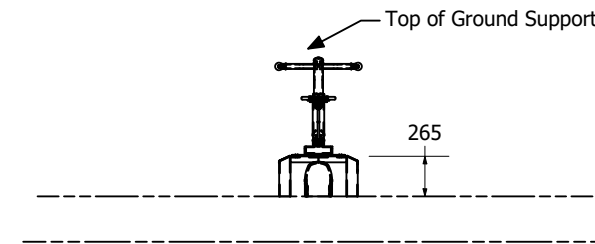
Fallzones



Front Elevation



Front Elevation



| Technical Information | |
|-----------------------|---|
| Main Dimension | 6200 x 3000 (rec) |
| Total Area | 18 m ² |
| Max FHO | 1m |
| Heaviest Part | |
| Compliant to | NZS 5828:2015 AS 4685:(series) EN 1176:2008 |

1:50 @ A3

| REVISION HISTORY | | | |
|------------------|------------------|------------|----|
| REV | DESCRIPTION | DATE | BY |
| 0 | Creation | 17/11/2017 | |
| 1 | Changed Fallzone | 22/3/2022 | HS |