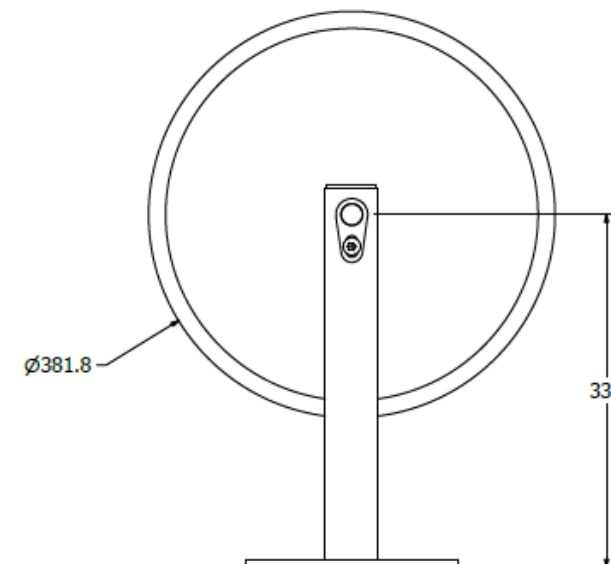
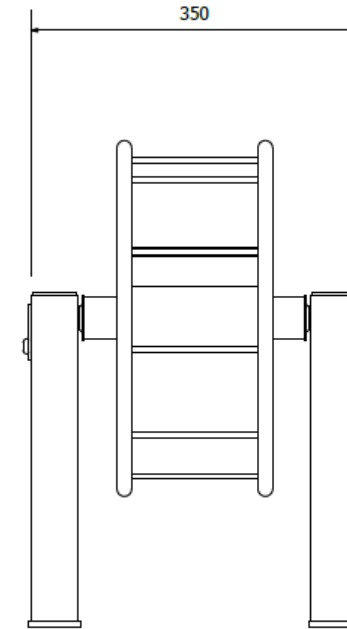
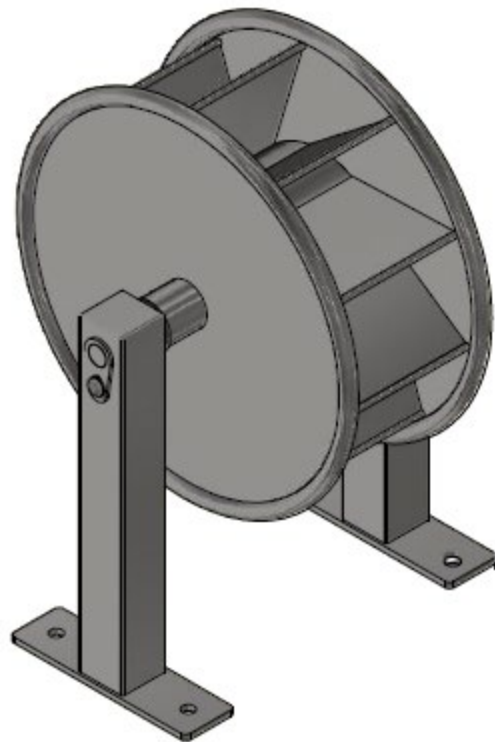


Water Wheel

Product code: SAMFWWCMC



Technical Information

Space Required	350mm x 521mm
Compliant	NZS 5828:2015 AS 4685:2017 EN 1176:2008