

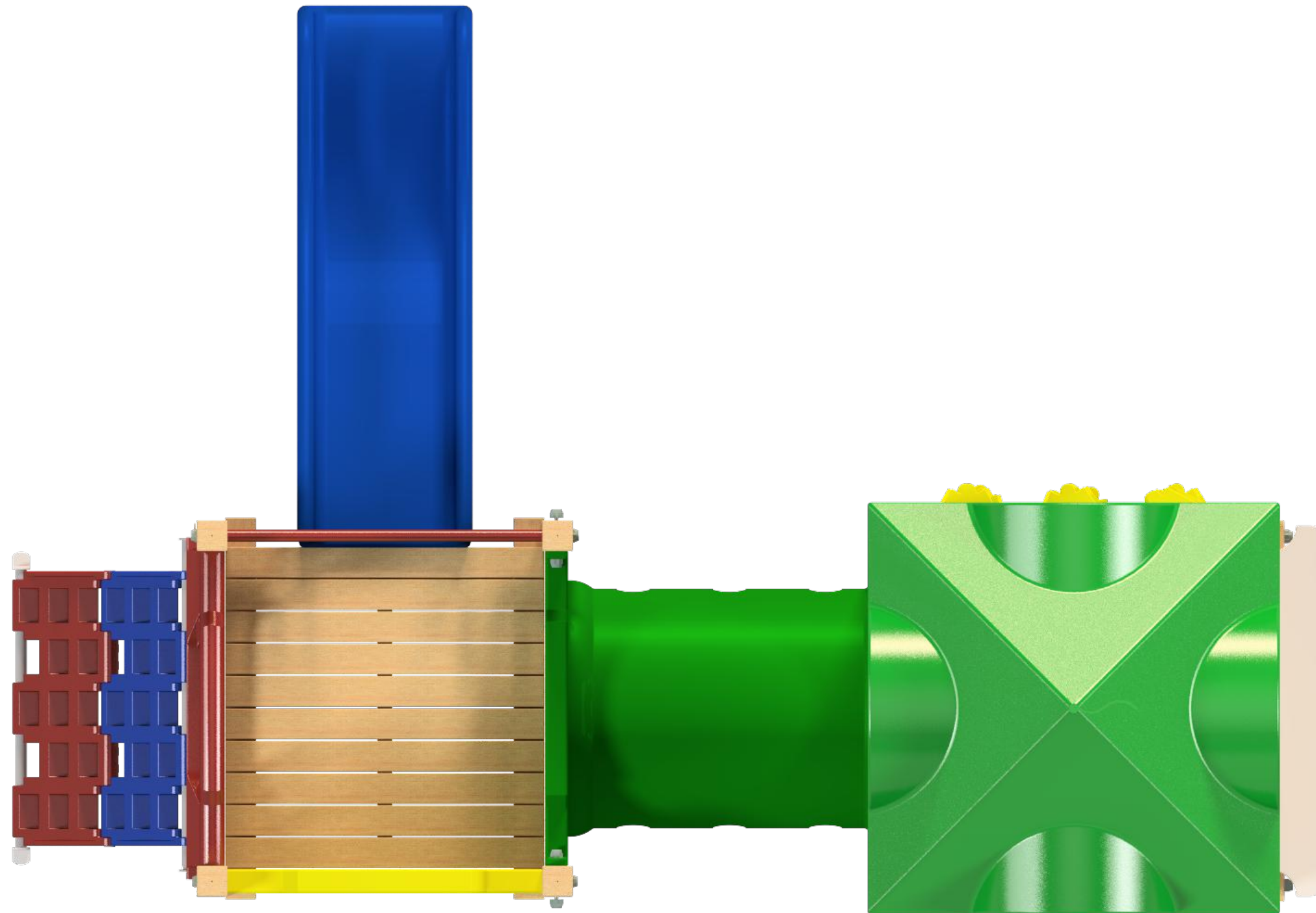
MOTP109



MOTP109

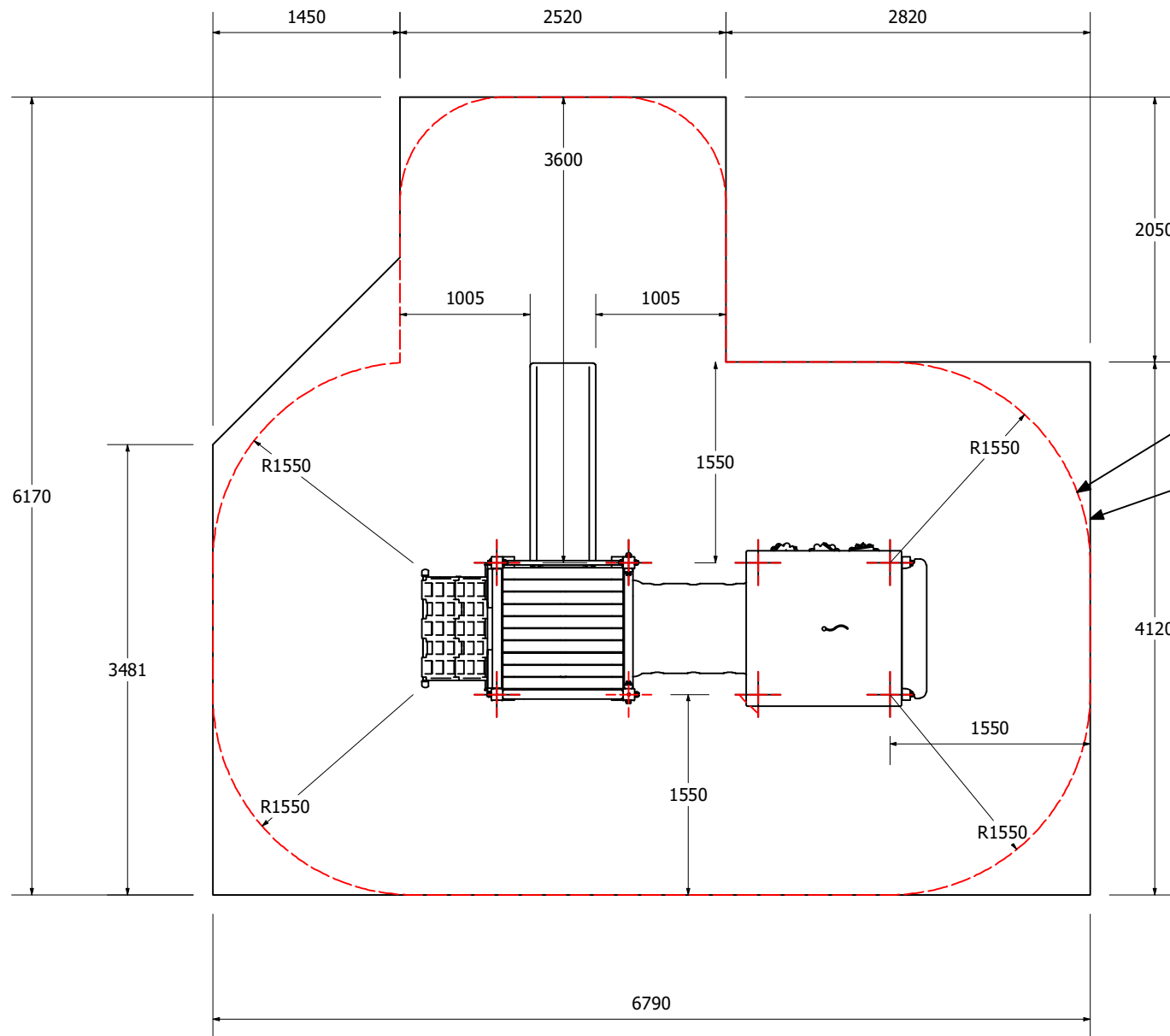


MOTP109



MOTP109

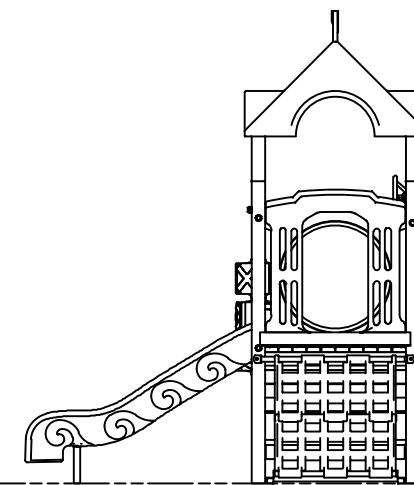
### Fallzones



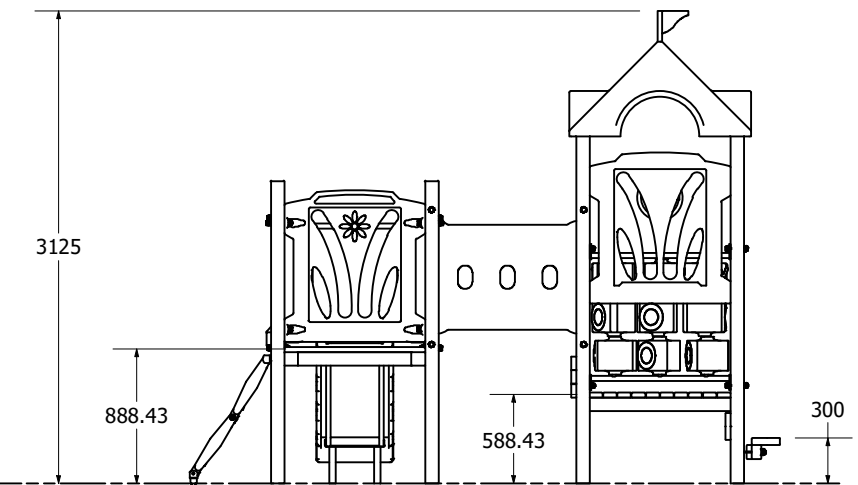
Minimum Fallzone

Recommended Fallzone

### Front Elevation



### Right Elevation

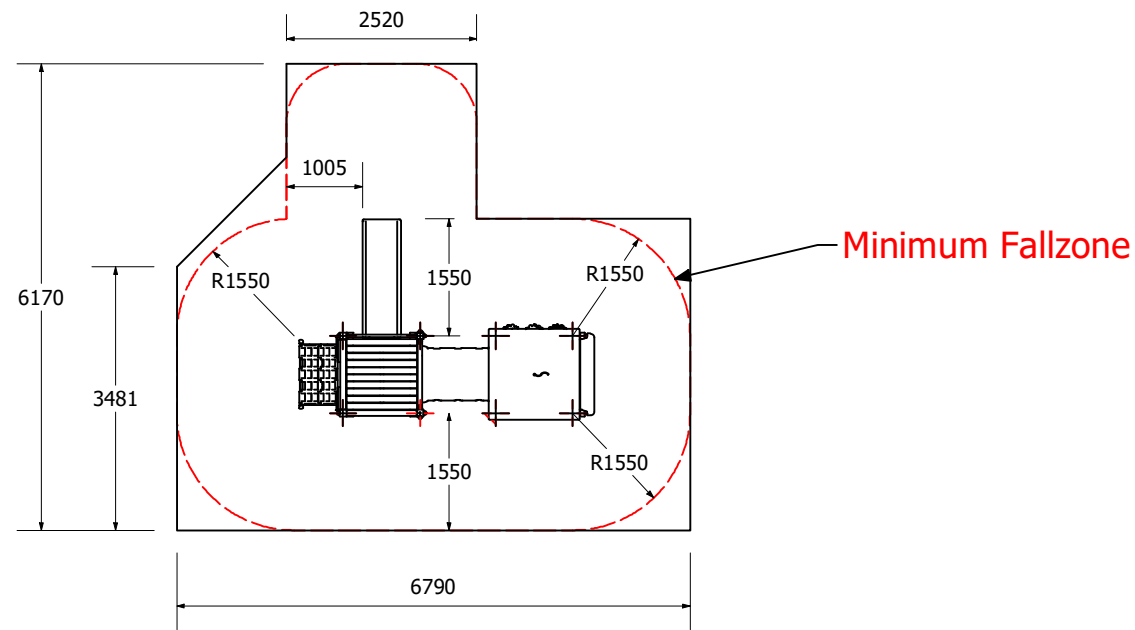


Technical Information	
Main Dimension	6790 x 6170
Total Area	33m2
Max FHO	900mm
Heaviest Part	40kg
Compliant to	NZS 5828:2015 AS 4685:2017 EN 1176:2008

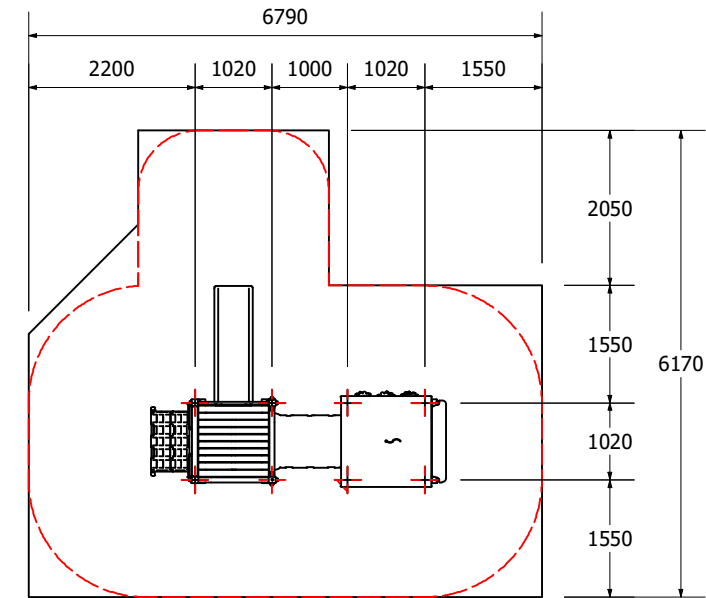
Note:- This playground is easily accessible for those under 36months.

MOTP109

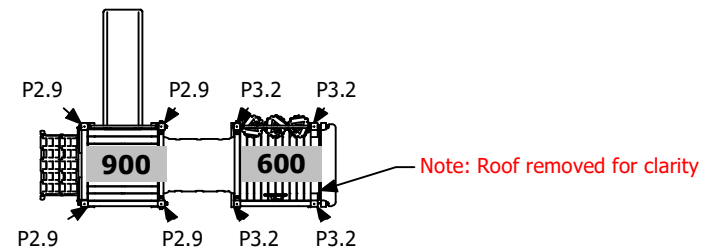
**Fallzones**



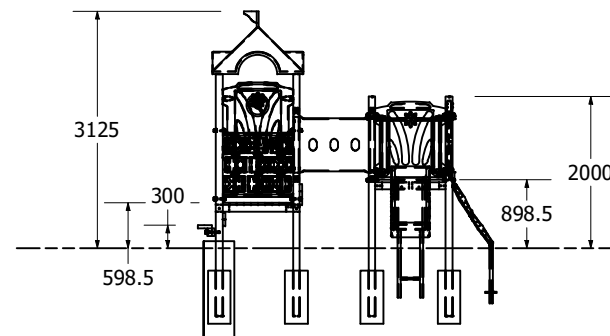
**Pole Dimensions**



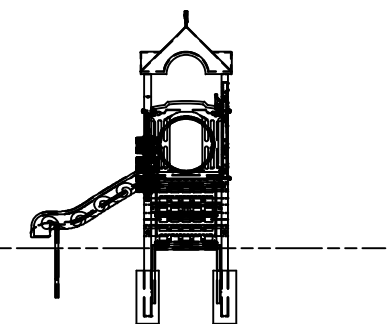
**Pole Type**



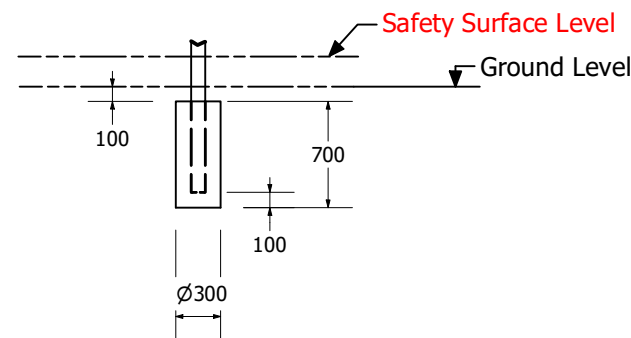
**Front Elevation**



**Right Elevation**



A ( 1 : 50 )



Technical Information	
Main Dimension	6790 x 6170
Total Area	33m2
Max FHO	900mm
Heaviest Part	40kg
Compliant to	NZS 5828:2015 AS 4685:2017 EN 1176:2008

REVISION HISTORY			
REV	DESCRIPTION	DATE	BY
0	Creation	14/04/2021	